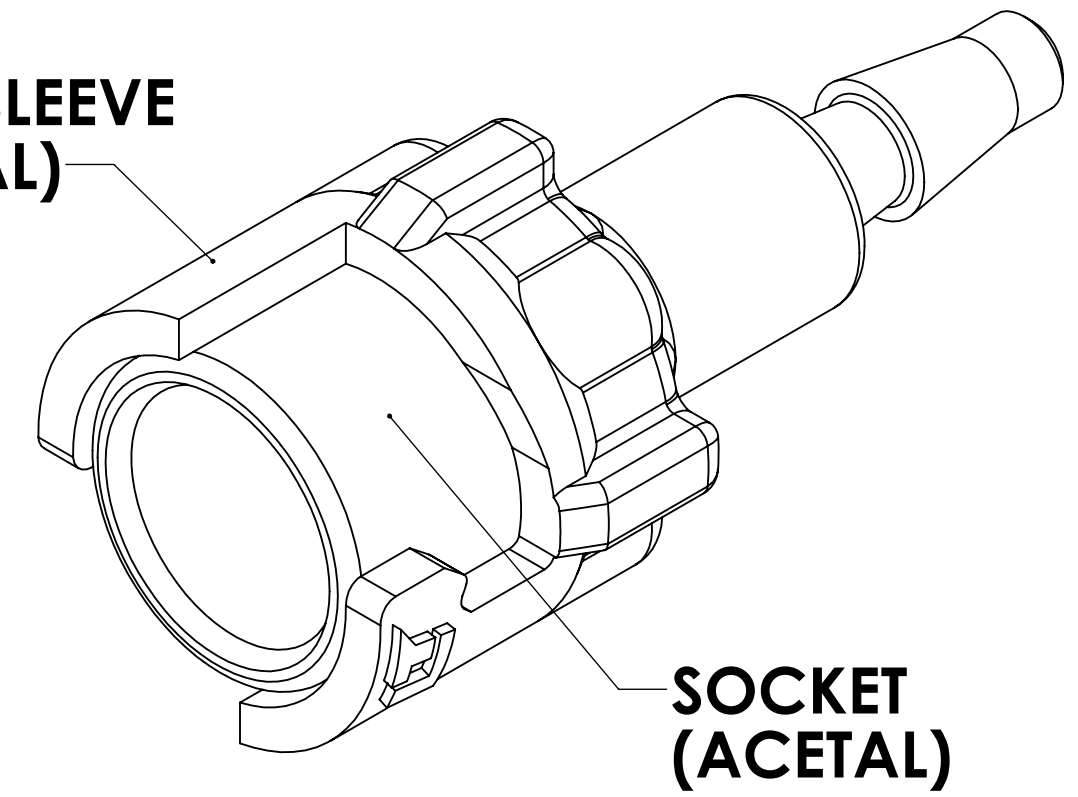
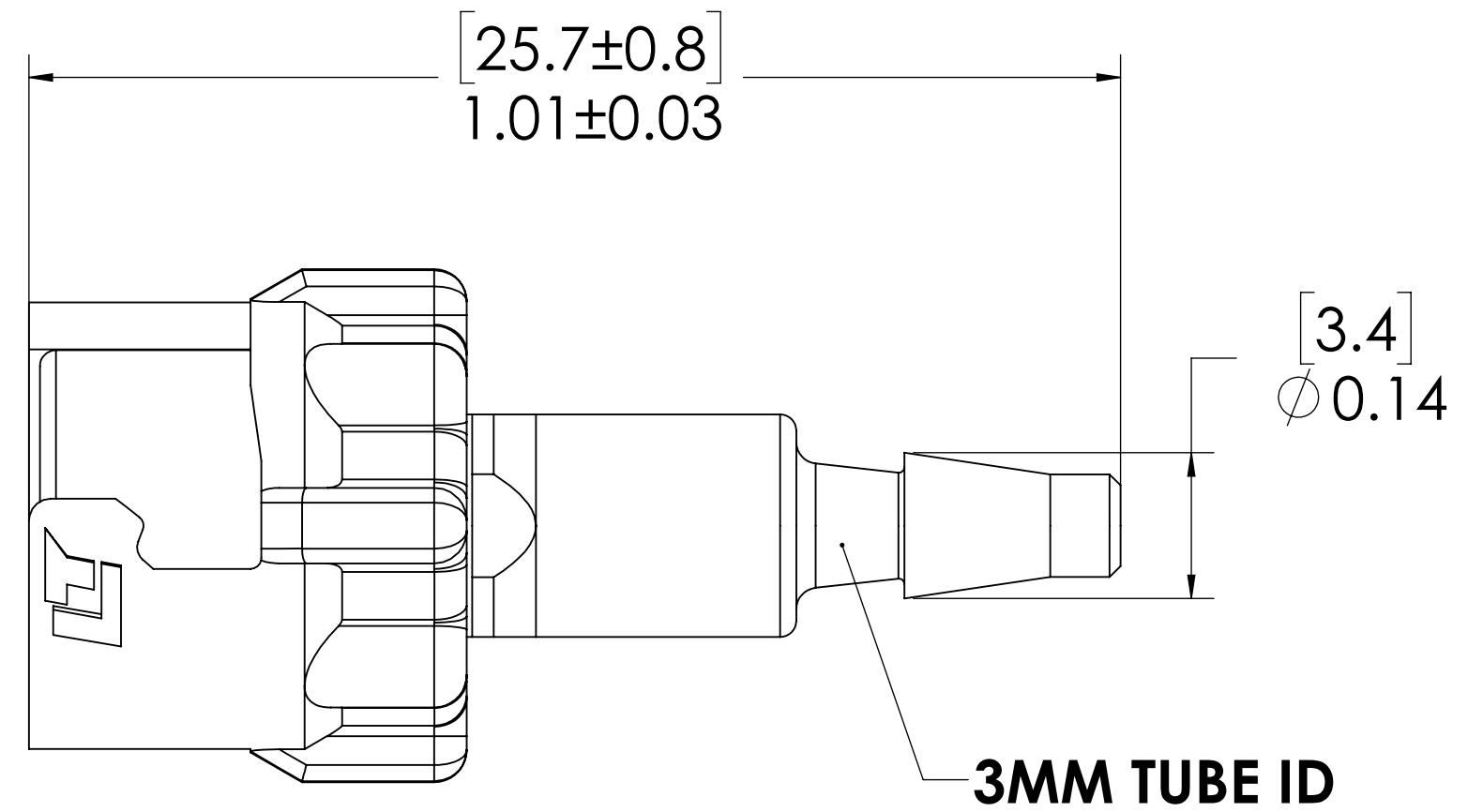
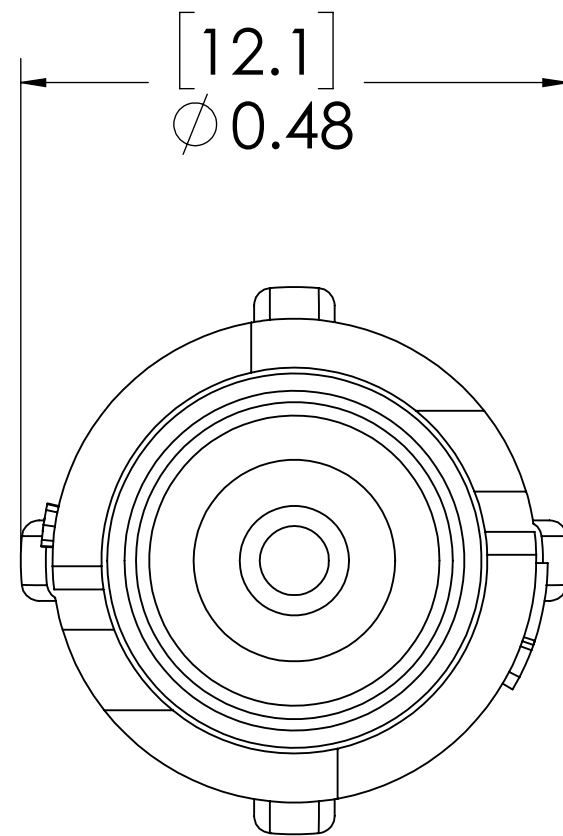


REVISIONS						
SHEET	ZONE	REV.	ECO	DESCRIPTION	DATE	APPROVED
1	ALL	NC	50307	INITIAL RELEASE	2/18/2020	HRC

**LOCK SLEEVE
(ACETAL)**




**SOCKET
(ACETAL)**



NOTES:

- MATERIAL: ACETAL
- COLOR: BLACK

FOR REFERENCE ONLY

<small>UNLESS OTHERWISE SPECIFIED: DIMENSIONS ARE IN INCHES TOLERANCES: FRACTIONAL ± 1/32 ANGULAR: MACH ± 0.5 BEND ± 2 ONE PLACE DECIMAL ± 0.1 TWO PLACE DECIMAL ± 0.01 THREE PLACE DECIMAL ± 0.005 TWO PLACE DUAL (mm) [±0.12]</small>	DRAWN	RDA	1/13/20	 PART NO: 10AC-S2-M3BLK DESCRIPTION: LinkTech 10AC Series, Inline Socket, Non-Valved, 3mm HB Black Acetal
	CHECKED	HRC	1/13/20	
	ENG APPR.	HRC	2/18/20	
	MFG APPR.	BDB	2/18/20	
<small>PROPRIETARY AND CONFIDENTIAL THE INFORMATION CONTAINED IN THIS DRAWING IS THE SOLE PROPERTY OF LINKTECH LLC. ANY REPRODUCTION OR DISCLOSURE IN PART OR AS A WHOLE WITHOUT THE WRITTEN PERMISSION OF LINKTECH LLC IS STRICTLY PROHIBITED.</small>	PRODUCTION	LS	2/18/20	<small>SIZE DWG. NO. REV</small> C 10AC100112 A
COMMENTS:			SCALE: NTS WEIGHT:	SHEET 1 OF 1