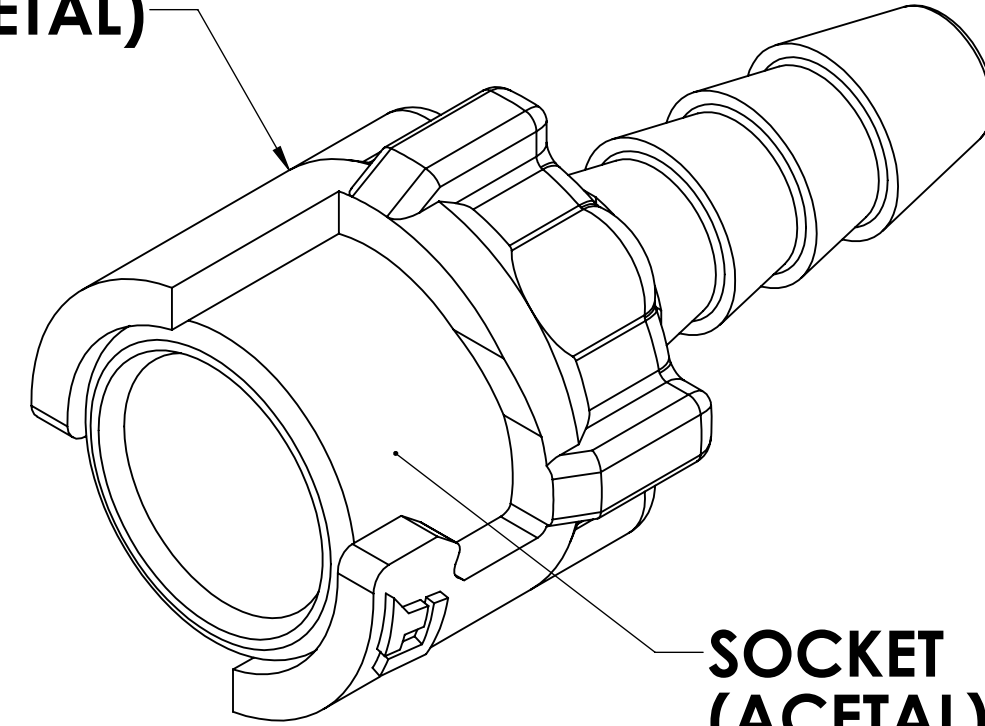
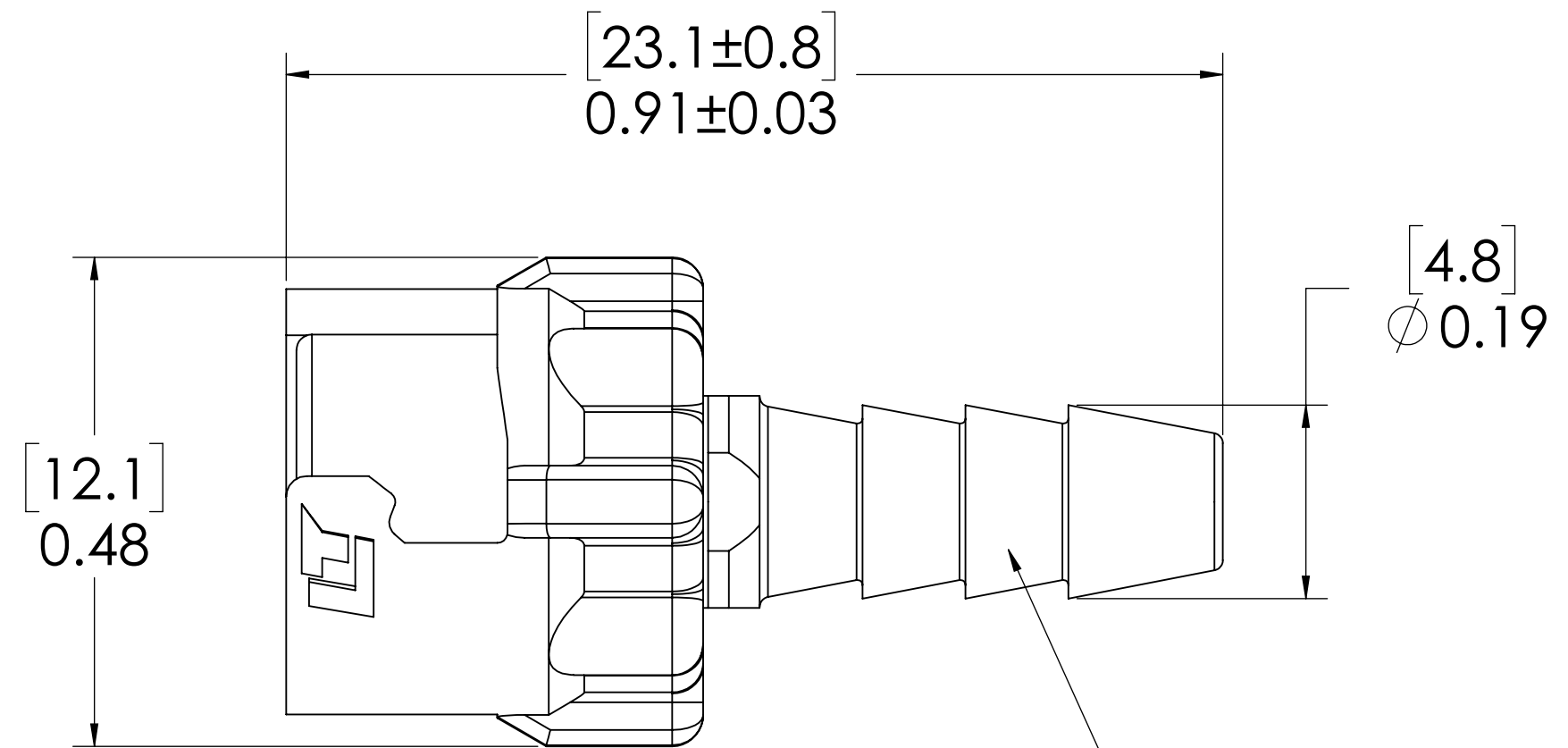
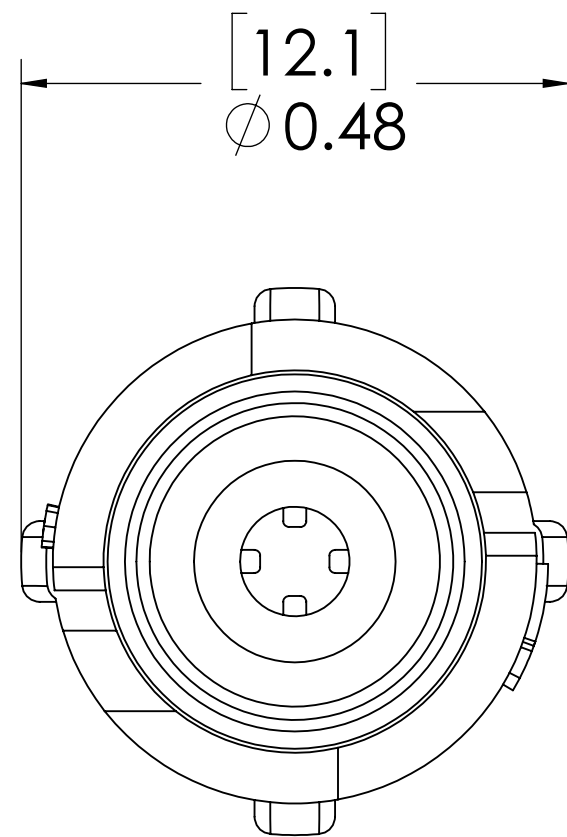


REVISIONS						
SHEET	ZONE	REV.	ECO	DESCRIPTION	DATE	APPROVED
1	ALL	A	50253	UPDATE DWG TO CURRENT FORMAT & STANDARDS	10/30/2018	HRC
ALL	ALL	B	50307	CONVERT DYED TO MOLDED BLACK	1/10/2020	HRC

**LOCK SLEEVE
(ACETAL)**



**SOCKET
(ACETAL)**




1/8" TUBE ID

NOTES:

- MATERIAL: ACETAL
- COLOR: BLACK

FOR REFERENCE ONLY

<small>UNLESS OTHERWISE SPECIFIED: DIMENSIONS ARE IN INCHES TOLERANCES: FRACTIONAL ± 1/32 ANGULAR: MACH ± 0.5 BEND ± 2 ONE PLACE DECIMAL ± 0.1 TWO PLACE DECIMAL ± 0.01 THREE PLACE DECIMAL ± 0.005 TWO PLACE DUAL (mm) [± 0.12]</small>	DRAWN	LMP	4/26/2018	 PART NO: 10AC-S2-02BLK DESCRIPTION: LinkTech 10AC Series, Inline Socket, Non-Valved, 1/8" HB, Black						
	CHECKED	HRC	4/26/2018							
	ENG APPR.	HRC	10/30/18							
	MFG APPR.	BDB	10/30/18							
PRODUCTION	LS	10/30/18	COMMENTS:	<table border="1"> <tr> <td>SIZE</td> <td>DWG. NO.</td> <td>REV</td> </tr> <tr> <td>C</td> <td>10AC100086</td> <td>B</td> </tr> </table>	SIZE	DWG. NO.	REV	C	10AC100086	B
SIZE	DWG. NO.	REV								
C	10AC100086	B								
<small>PROPRIETARY AND CONFIDENTIAL THE INFORMATION CONTAINED IN THIS DRAWING IS THE SOLE PROPERTY OF LINKTECH LLC. ANY REPRODUCTION OR DISCLOSURE IN PART OR AS A WHOLE WITHOUT THE WRITTEN PERMISSION OF LINKTECH LLC IS STRICTLY PROHIBITED.</small>				<table border="1"> <tr> <td>SCALE: NTS</td> <td>WEIGHT:</td> <td>SHEET 1 OF 1</td> </tr> </table>	SCALE: NTS	WEIGHT:	SHEET 1 OF 1			
SCALE: NTS	WEIGHT:	SHEET 1 OF 1								