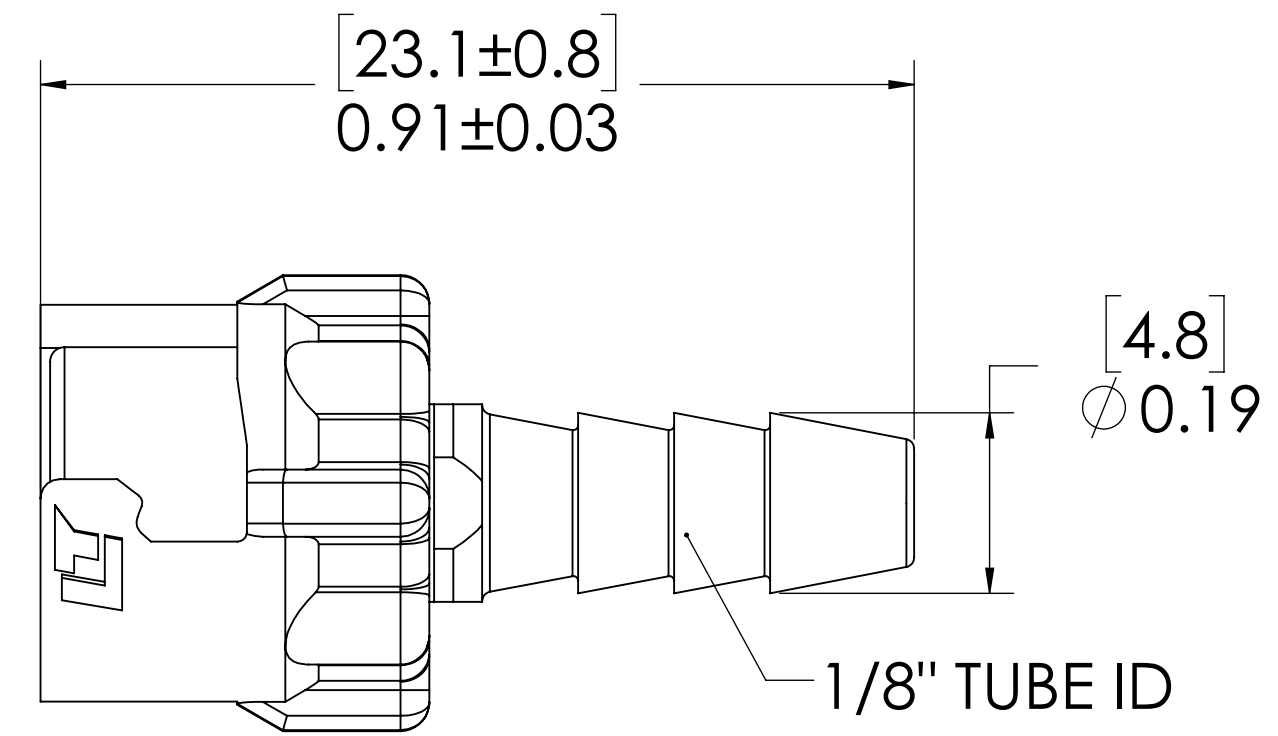
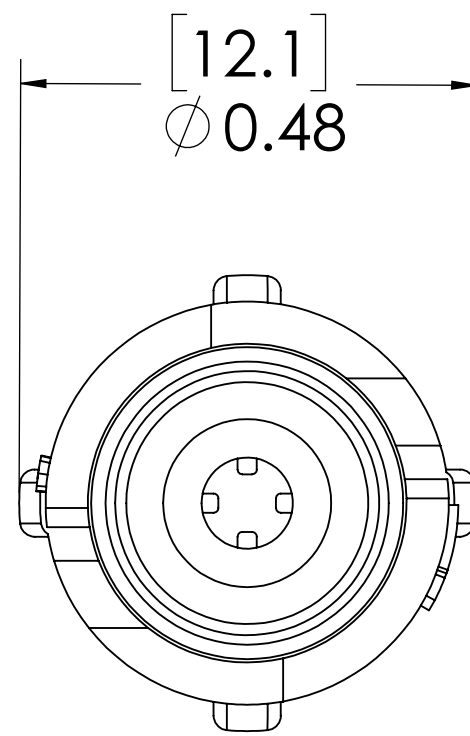
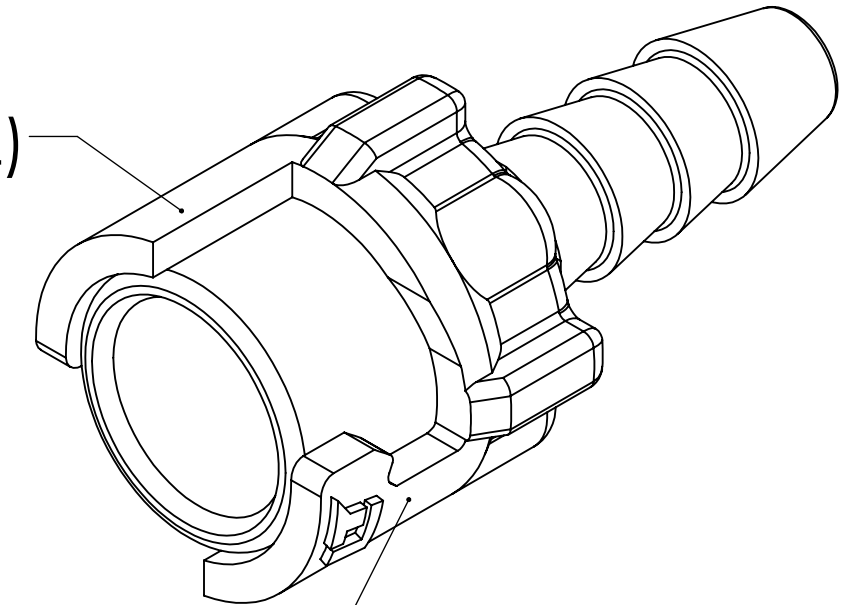


REVISIONS						
SHEET	ZONE	REV.	ECO	DESCRIPTION	DATE	APPROVED
1	E-5	A	UPDATED BARREL DESIGN	8/23/2012	HRC
1	ALL	A	50047	INITIAL RELEASE	6/11/2013	HRC
1	ALL	B	50253	2017 FORMAT UPDATE	5/7/2018	HRC

SOCKET,
(ACETAL)

LOCK SLEEVE,
(ACETAL)



NOTES:

- MATERIAL: ACETAL
- COLOR: NATURAL WHITE

FOR REFERENCE ONLY

<small>UNLESS OTHERWISE SPECIFIED: DIMENSIONS ARE IN INCHES TOLERANCES: FRACTIONAL ± 1/32 ANGULAR: MACH ± 0.5 BEND ± 2 ONE PLACE DECIMAL ± 0.1 TWO PLACE DECIMAL ± 0.01 THREE PLACE DECIMAL ± 0.005 TWO PLACE DUAL (mm) [±0.12]</small>	<small>DRAWN</small> HRC 4/10/12	<small>NAME</small> HRC 4/10/12	
	<small>CHECKED</small> DHJ 4/10/12	<small>ENG APPR.</small> HRC 5/7/18	
<small>PROPRIETARY AND CONFIDENTIAL THE INFORMATION CONTAINED IN THIS DRAWING IS THE SOLE PROPERTY OF LINKTECH LLC. ANY REPRODUCTION OR DISCLOSURE IN PART OR AS A WHOLE WITHOUT THE WRITTEN PERMISSION OF LINKTECH LLC IS STRICTLY PROHIBITED.</small>	<small>COMMENTS:</small>		<small>PART NO:</small> 10AC-S2-02
<small>DESCRIPTION:</small> LinkTech 10AC Series Straight Female, Non-valved, 1/8"HB, Natural Acetal			<small>SIZE</small> C
<small>DWG. NO.</small> 10AC100024			<small>REV</small> B
<small>SCALE: NTS</small>		<small>WEIGHT:</small>	<small>SHEET 1 OF 1</small>