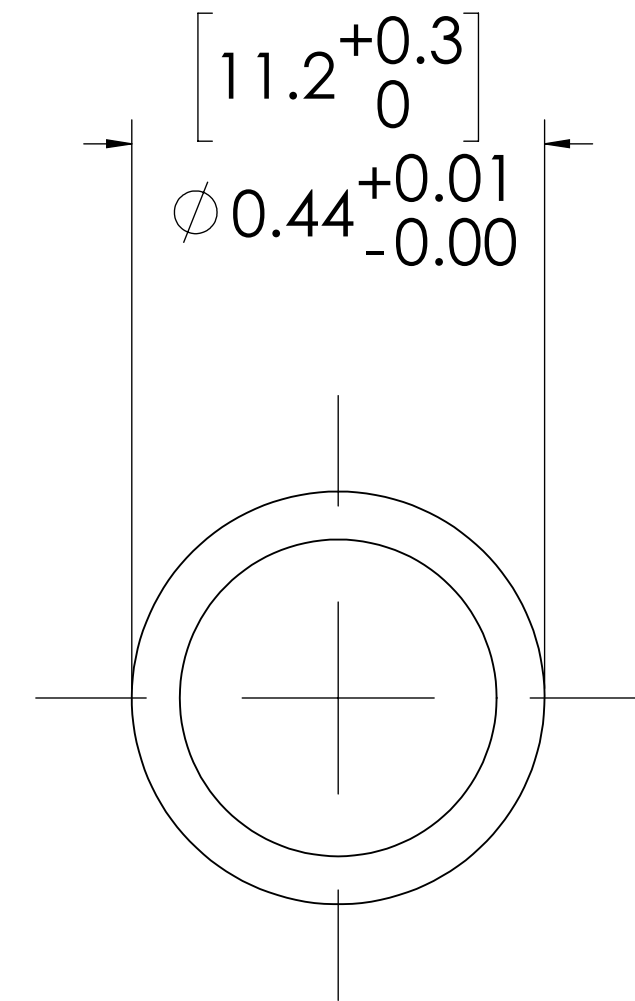
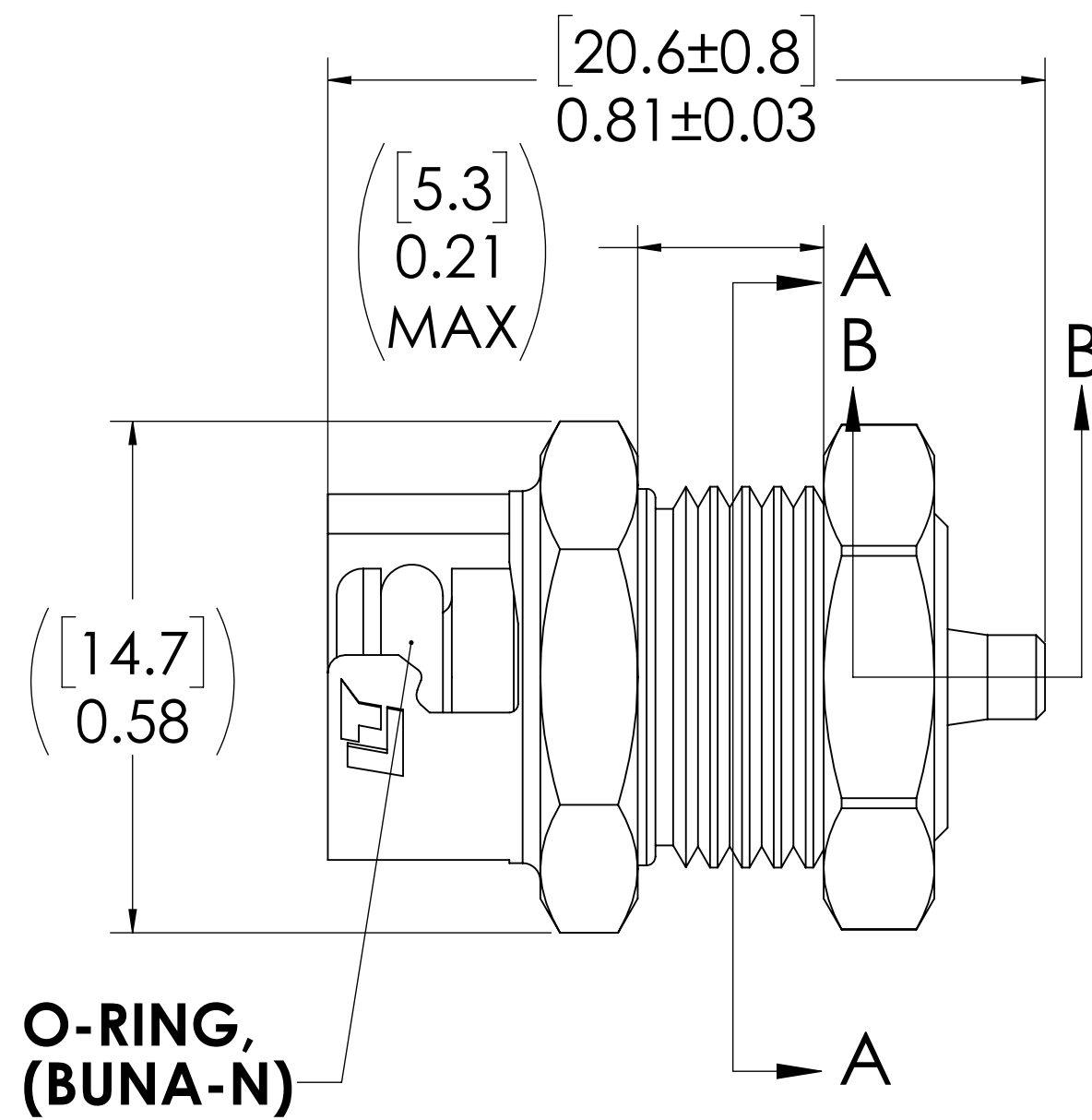
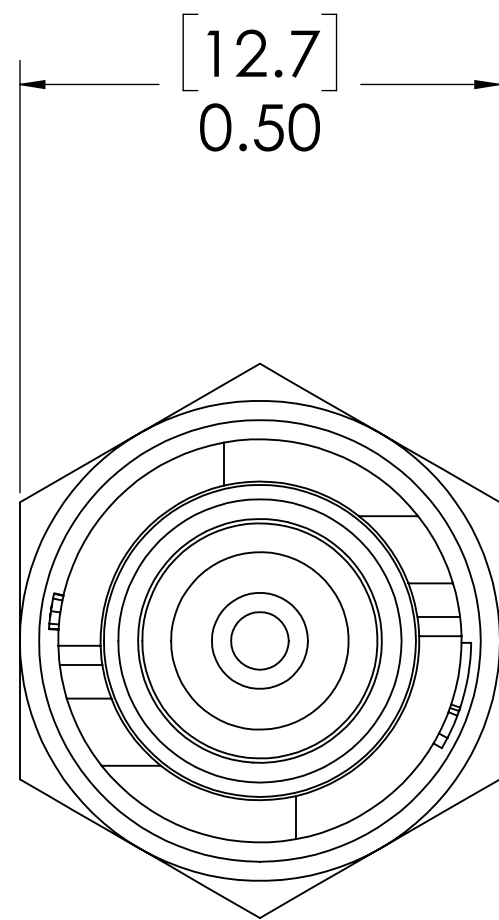
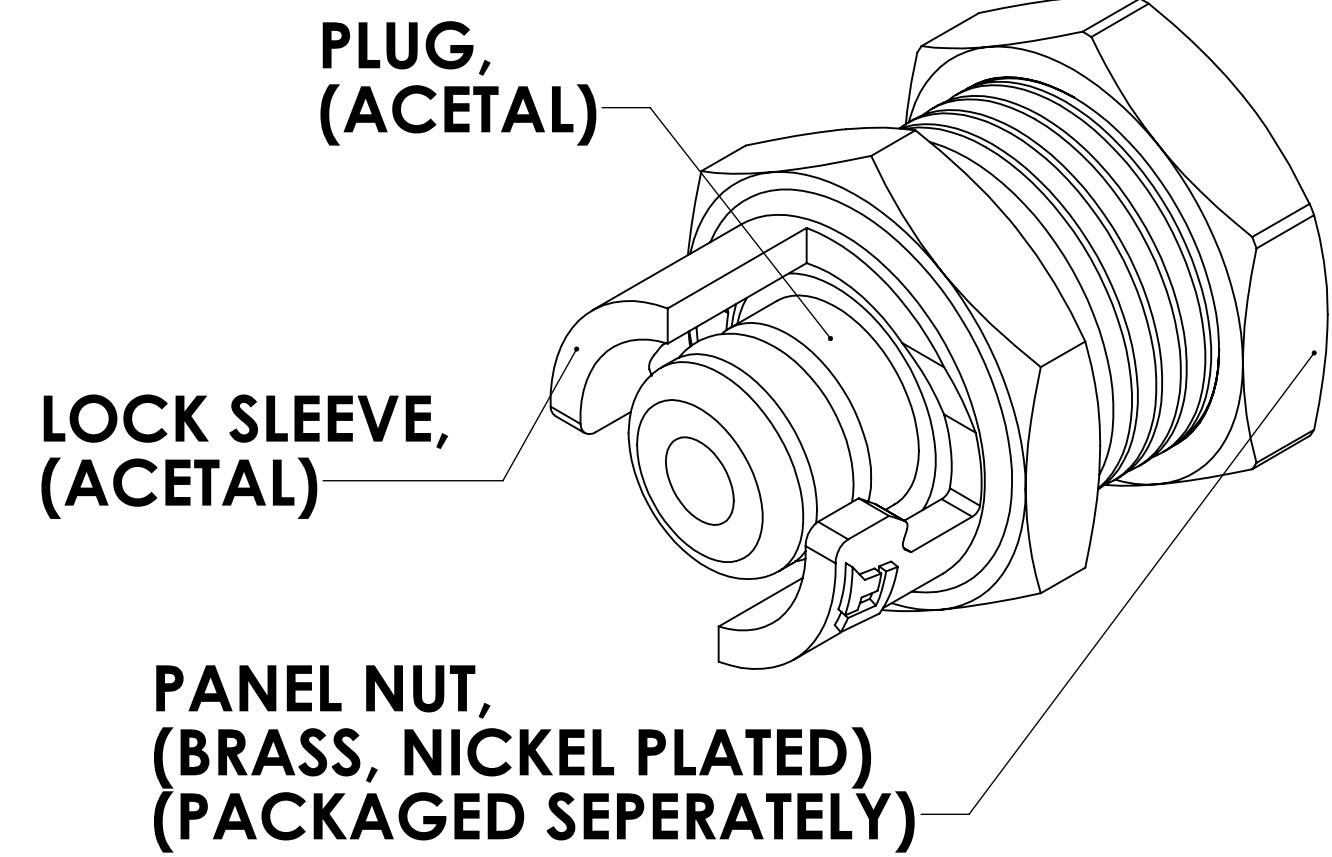
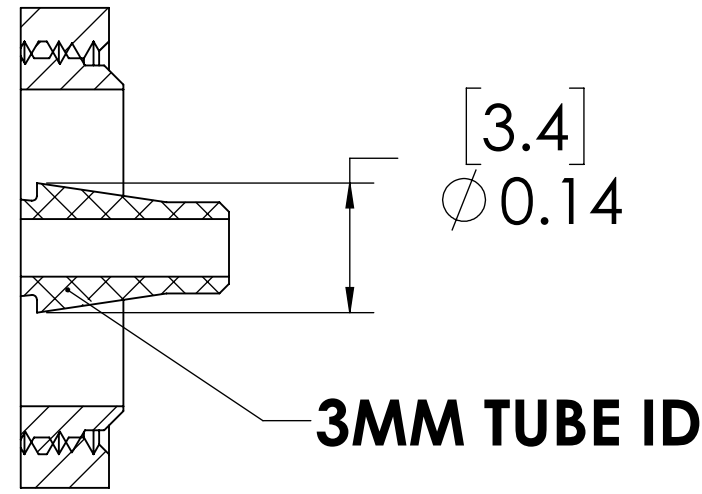


REVISIONS						
SHEET	ZONE	REV.	ECO	DESCRIPTION	DATE	APPROVED
1	ALL	A	50307	INITIAL RELEASE	2/18/20	HRC



NOTES:

- MATERIAL: ACETAL
- COLOR: BLACK
- O-RING MATERIAL: BUNA-N
- O-RINGS LUBRICATED WITH FOOD GRADE SILICONE OIL, 350 CST.

FOR REFERENCE ONLY

UNLESS OTHERWISE SPECIFIED: DIMENSIONS ARE IN INCHES TOLERANCES: FRACTIONAL ± 1/32 ANGULAR: MACH ± 0.5 BEND ± 2 ONE PLACE DECIMAL ± 0.1 TWO PLACE DECIMAL ± 0.01 THREE PLACE DECIMAL ± 0.005 TWO PLACE DUAL (mm) [± 0.12]	DRAWN	RDA	1/13/2020	
	CHECKED	HRC	1/13/2020	
	ENG APPR.	HRC	2/18/20	
	MFG APPR.	BDB	2/18/20	
PROPRIETARY AND CONFIDENTIAL THE INFORMATION CONTAINED IN THIS DRAWING IS THE SOLE PROPERTY OF LINKTECH LLC. ANY REPRODUCTION OR DISCLOSURE IN PART OR AS A WHOLE WITHOUT THE WRITTEN PERMISSION OF LINKTECH LLC IS STRICTLY PROHIBITED.	PURCHASING	LS	2/18/20	PART NO: 10AC-PB3-M3BLK DESCRIPTION: LinkTech 10AC Series Panel Mt. Male, Non-valved, 3mm HB, Black Acetal
SIZE DWG. NO. REV C 10AC100111 A		SCALE: NTS WEIGHT: SHEET 1 OF 1		