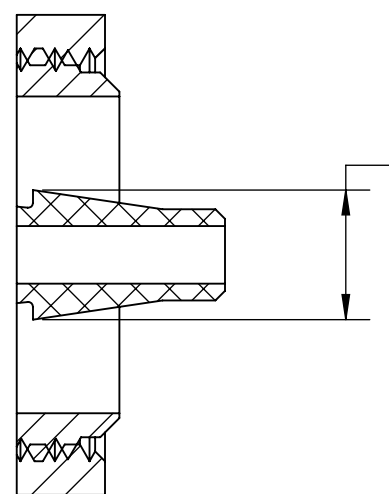
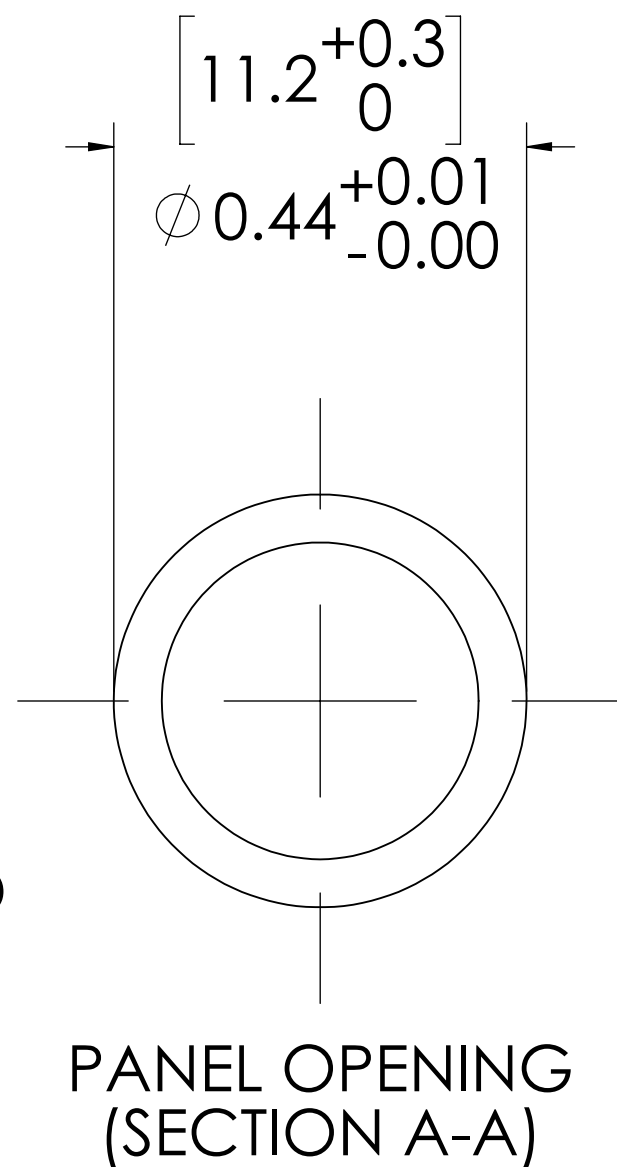
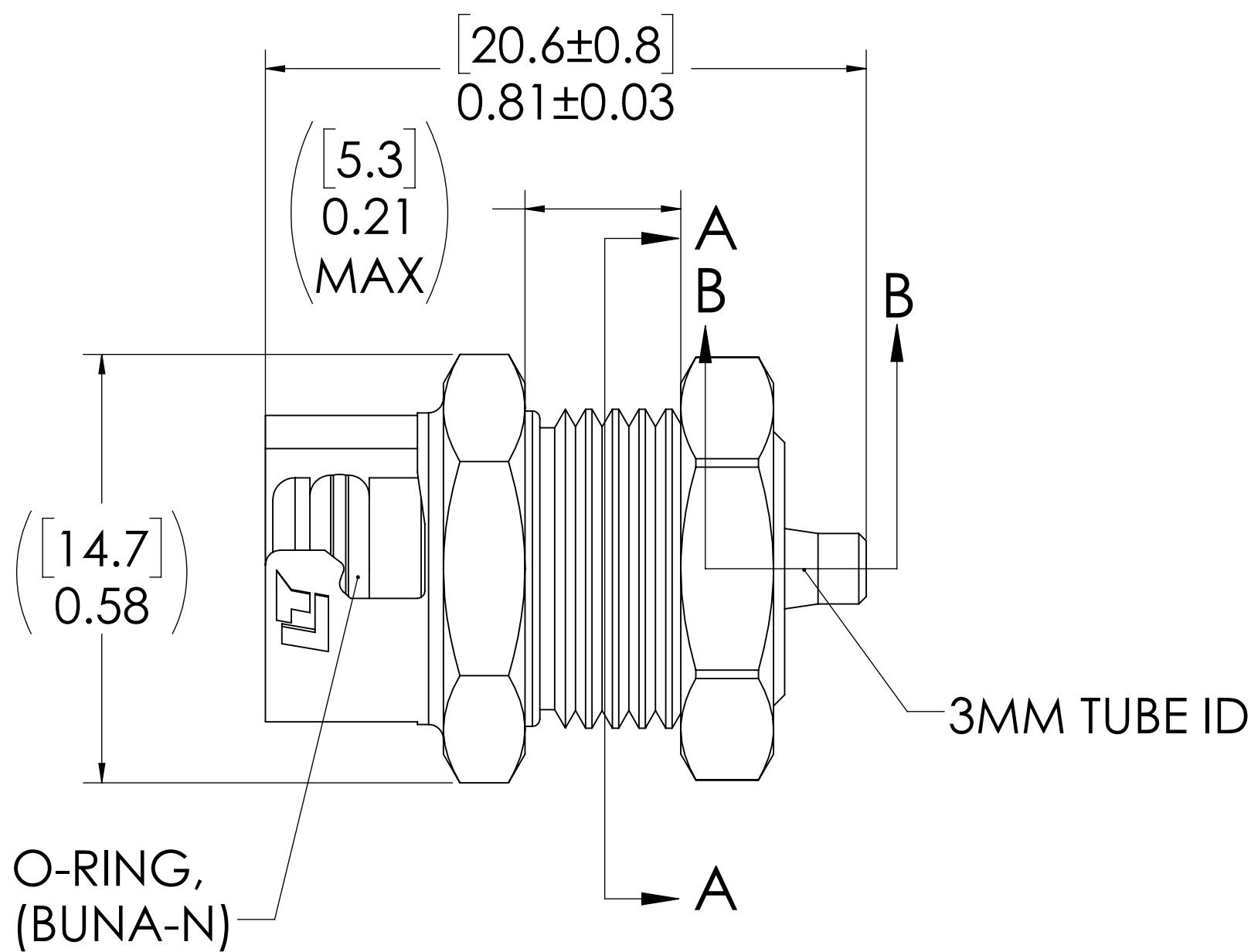
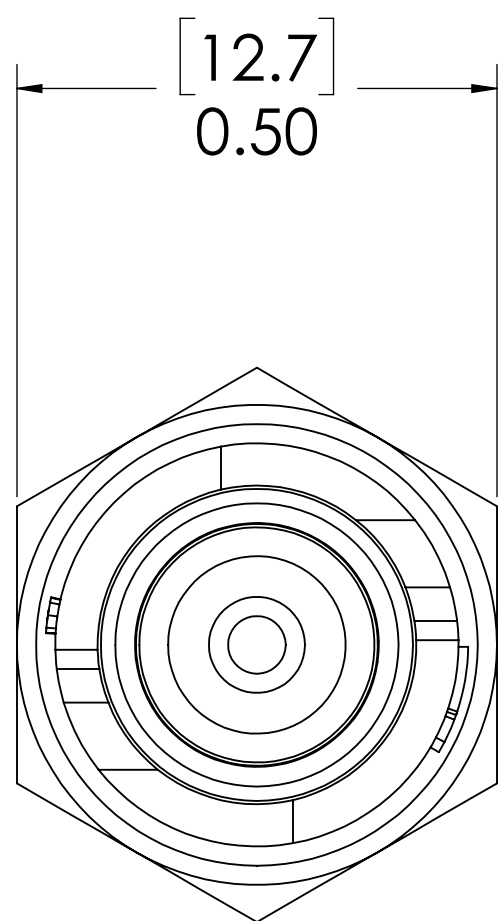
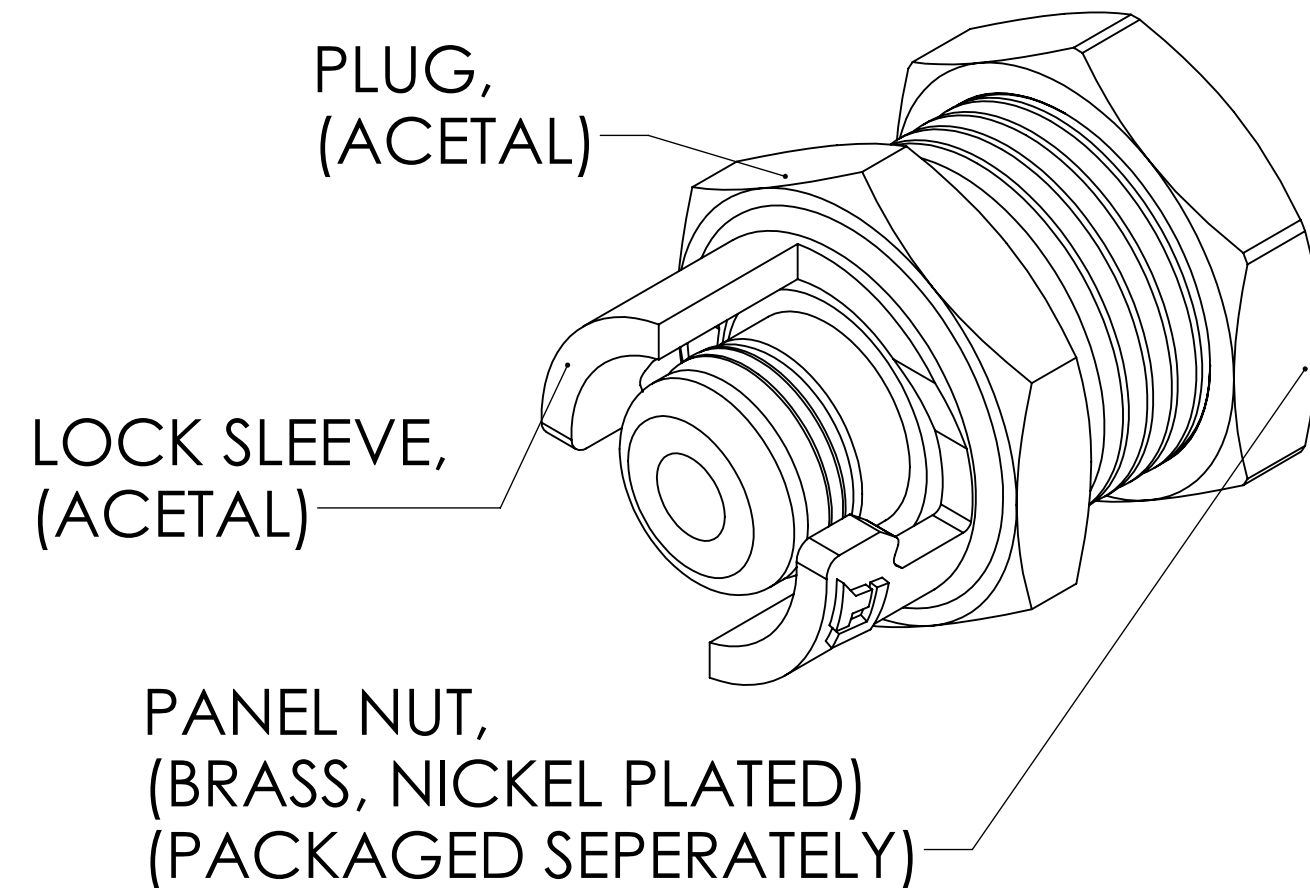


REVISIONS						
SHEET	ZONE	REV.	ECO	DESCRIPTION	DATE	APPROVED
1	ALL	NC	50142	INITIAL RELEASE	1/21/2015	HRC
1	ALL	A	50253	2017 FORMAT UPDATE	5/7/2018	HRC



SECTION B-B



PANEL OPENING (SECTION A-A)

**NOTES:**

- MATERIAL: ACETAL
- COLOR: NATURAL WHITE
- O-RING MATERIAL: BUNA-N
- O-RINGS LUBRICATED WITH FOOD GRADE SILICONE OIL, 350 CST.

**FOR REFERENCE ONLY**

<small>UNLESS OTHERWISE SPECIFIED: DIMENSIONS ARE IN INCHES TOLERANCES: FRACTIONAL ± 1/32 ANGULAR: MACH ± 0.5 BEND ± 2 ONE PLACE DECIMAL ± 0.1 TWO PLACE DECIMAL ± 0.01 THREE PLACE DECIMAL ± 0.005 TWO PLACE DUAL (mm) ± 0.12</small>	DRAWN	HRC	1/19/15	
	CHECKED	HRC	1/19/15	
	ENG APPR.	HRC	5/7/18	
	MFG APPR.	BDB	5/7/18	
<small>PROPRIETARY AND CONFIDENTIAL THE INFORMATION CONTAINED IN THIS DRAWING IS THE SOLE PROPERTY OF LINKTECH LLC. ANY REPRODUCTION OR DISCLOSURE IN PART OR AS A WHOLE WITHOUT THE WRITTEN PERMISSION OF LINKTECH LLC IS STRICTLY PROHIBITED.</small>	PURCHASING	RK	5/7/18	<b>PART NO:</b> 10AC-PB3-M3  <b>DESCRIPTION:</b> LinkTech 10AC Series Panel Mt. Male, Non-valved, 3mm HB, Natural Acetal
<small>SIZE DWG. NO. REV</small>		<b>C 10AC100060 A</b>		<small>SCALE: NTS WEIGHT: SHEET 1 OF 1</small>