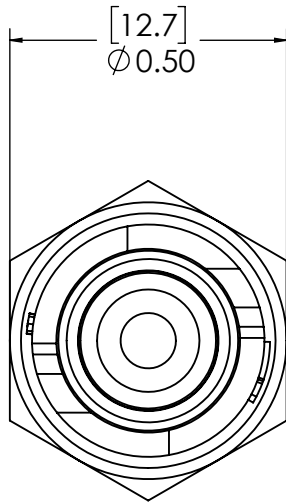
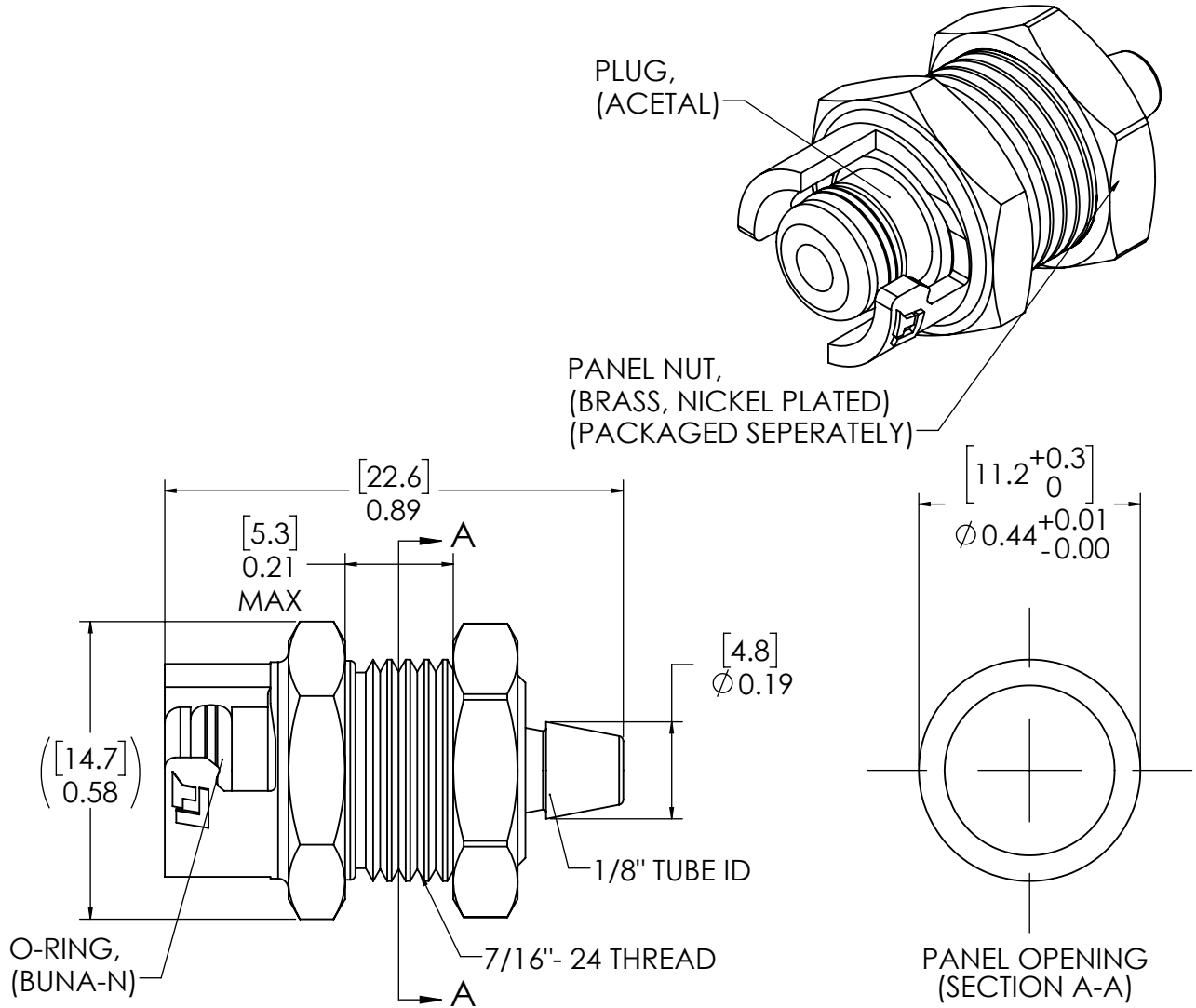


REVISIONS						
SHEET	ZONE	REV.	ECO	DESCRIPTION	DATE	APPROVED
1	ALL	NC	50047	INITIAL RELEASE	6/11/2013	HRC
1	ALL	A	50253	2017 FORMAT UPDATE	3/28/2018	HRC




[12.7]
Ø 0.50



NOTES:

1. MATERIAL: ACETAL
2. COLOR: NATURAL
3. O-RING MATERIAL: BUNA-N
4. O-RINGS LUBRICATED WITH FOOD GRADE SILICONE OIL, 350 CST.

FOR REFERENCE ONLY

UNLESS OTHERWISE SPECIFIED:		NAME	DATE	 LINKTECH <small>LINKTECH LLC</small>
DIMENSIONS ARE IN INCHES	DRAWN	HRC	5/11/12	
TOLERANCES:	CHECKED	DHJ	5/14/12	DESCRIPTION: LinkTech 10AC Series Panel Mt. Male, Non-valved, 1/8" TB, Natural Acetal
FRACTIONAL ± 1/32	ENG APPR:	HRC	03-28-18	
ANGULAR: MACH ± 0.5 BEND ± 2	MFG APPR:	BDB	03-28-18	SCALE: NTS WEIGHT: SHEET 1 OF 1
ONE PLACE DECIMAL ± 0.1	Q.A.	JJB	03-28-18	
TWO PLACE DECIMAL ± 0.01	COMMENTS:			
THREE PLACE DECIMAL ± 0.005	THE INFORMATION CONTAINED IN THIS DRAWING IS THE SOLE PROPERTY OF LINKTECH LLC. ANY REPRODUCTION OR DISCLOSURE IN PART OR AS A WHOLE WITHOUT THE WRITTEN PERMISSION OF LINKTECH LLC IS STRICTLY PROHIBITED.			
TWO PLACE DECIMAL (mm) ± 0.12				