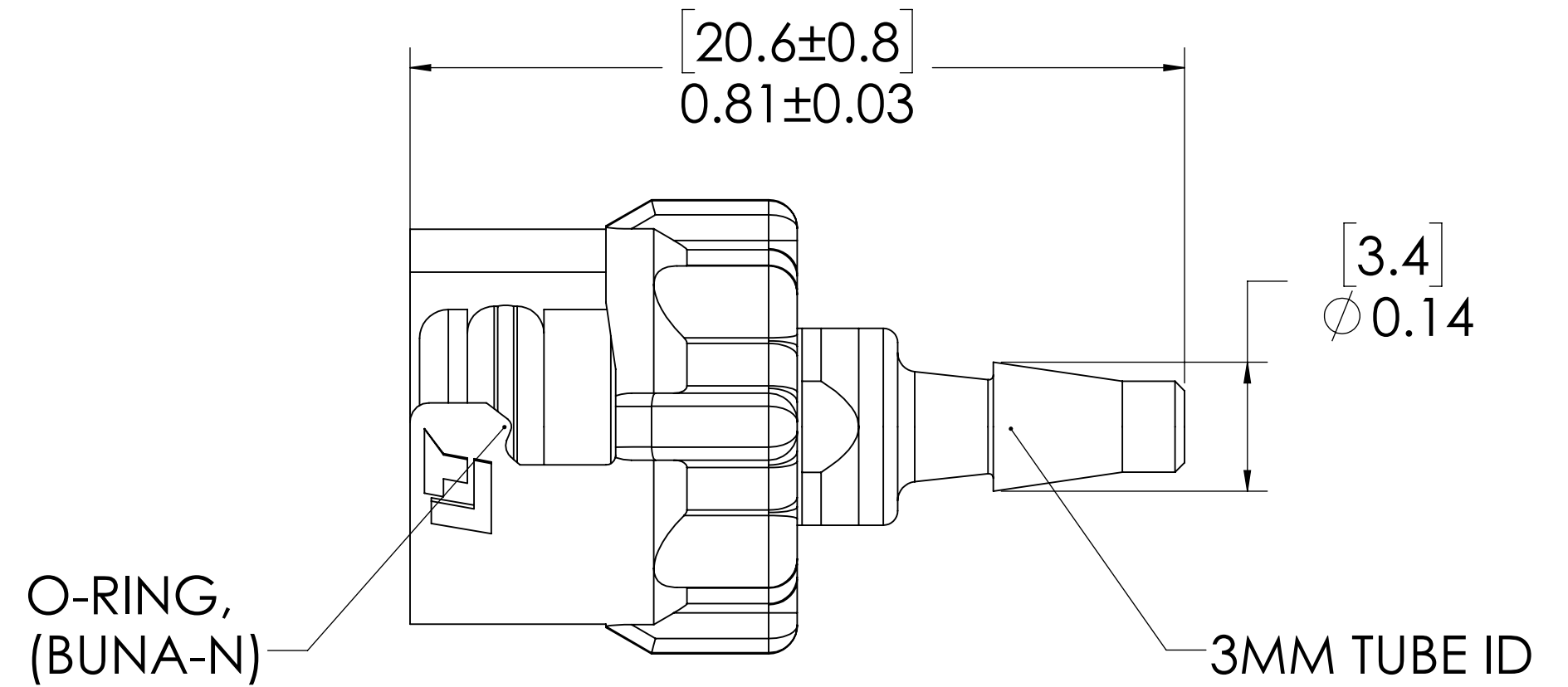
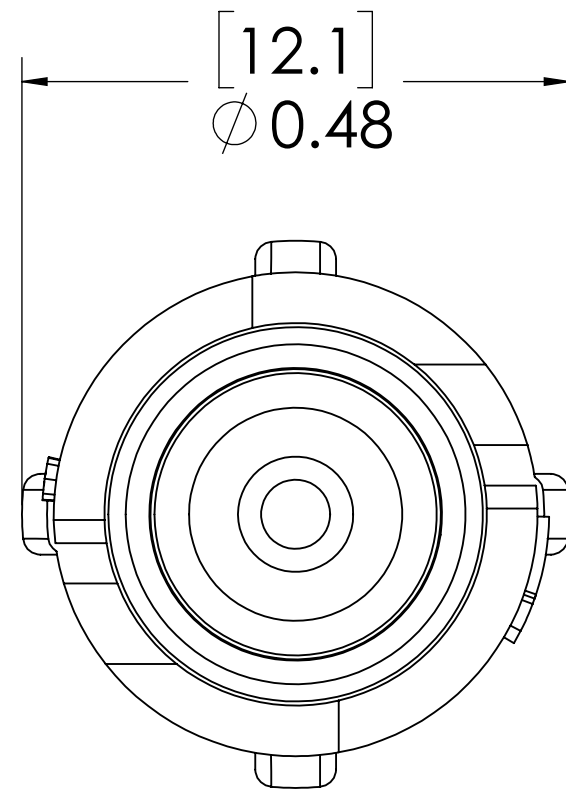
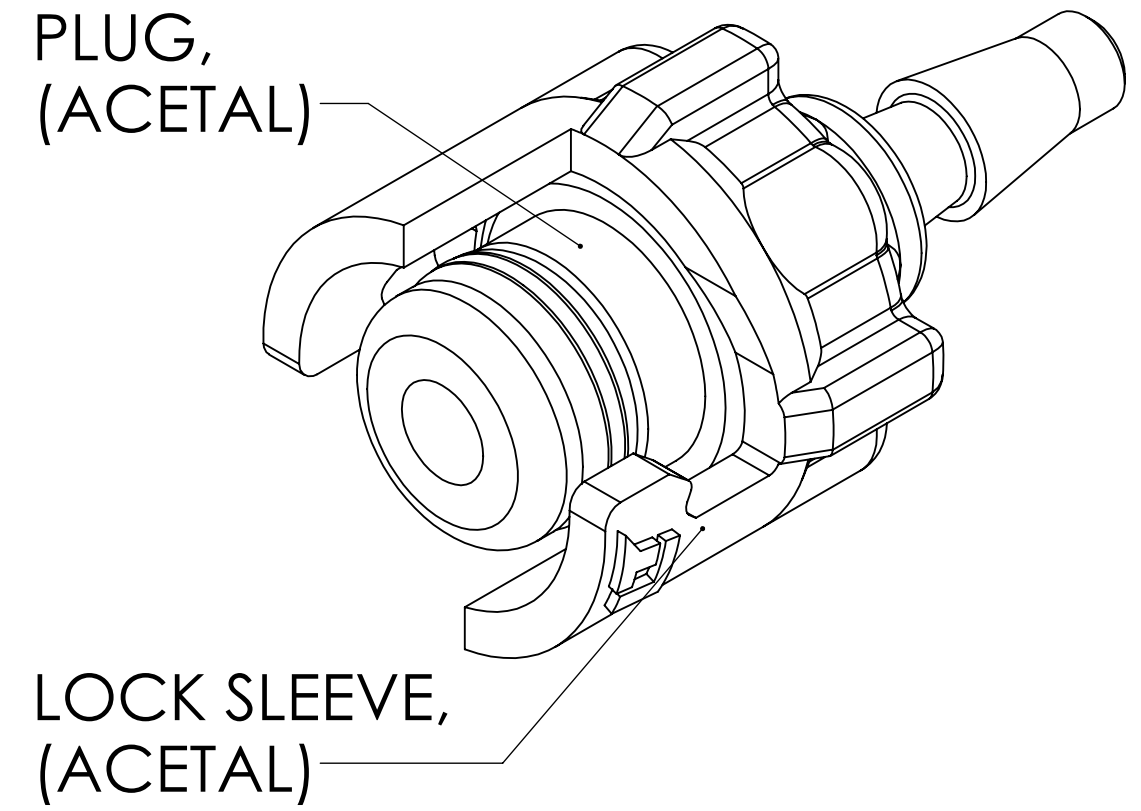


REVISIONS						
SHEET	ZONE	REV.	ECO	DESCRIPTION	DATE	APPROVED
1	ALL	NC	50136	INITIAL RELEASE	1/5/2015	HRC
1	ALL	A	50139	CHANGE P/N FROM 10AC-PB2-03M TO 10AC-PB2-M3	1/3/2015	HRC
1	ALL	B	50253	2017 FORMAT UPDATE	5/7/2018	HRC



**NOTES:**

- MATERIAL: ACETAL
- COLOR: NATURAL WHITE
- O-RING MATERIAL: BUNA-N
- O-RINGS LUBRICATED WITH FOOD GRADE SILICONE OIL, 350 CST.

**FOR REFERENCE ONLY**

<small>UNLESS OTHERWISE SPECIFIED: DIMENSIONS ARE IN INCHES TOLERANCES: FRACTIONAL ± 1/32 ANGULAR: MACH ± 0.5 BEND ± 2 ONE PLACE DECIMAL ± 0.1 TWO PLACE DECIMAL ± 0.01 THREE PLACE DECIMAL ± 0.005 TWO PLACE DUAL (mm) [± 0.12]</small>	DRAWN	HRC	9/16/12	
	CHECKED	HRC	9/16/12	
	ENG APPR.	HRC	5/7/18	
	MFG APPR.	BDB	5/7/18	
PROPRIETARY AND CONFIDENTIAL	PURCHASING	RK	5/7/18	<b>PART NO:</b> 10AC-PB2-M3 <b>DESCRIPTION:</b> LinkTech 10AC Series Straight Male, Non-valved, 3mm HB, Natural Acetal
<small>THE INFORMATION CONTAINED IN THIS DRAWING IS THE SOLE PROPERTY OF LINKTECH LLC. ANY REPRODUCTION OR DISCLOSURE IN PART OR AS A WHOLE WITHOUT THE WRITTEN PERMISSION OF LINKTECH LLC IS STRICTLY PROHIBITED.</small>	COMMENTS:			<b>SIZE</b> DWG. NO. <b>REV</b> <b>C</b> 10AC100054 <b>B</b>
	SCALE: NTS	WEIGHT:		SHEET 1 OF 1