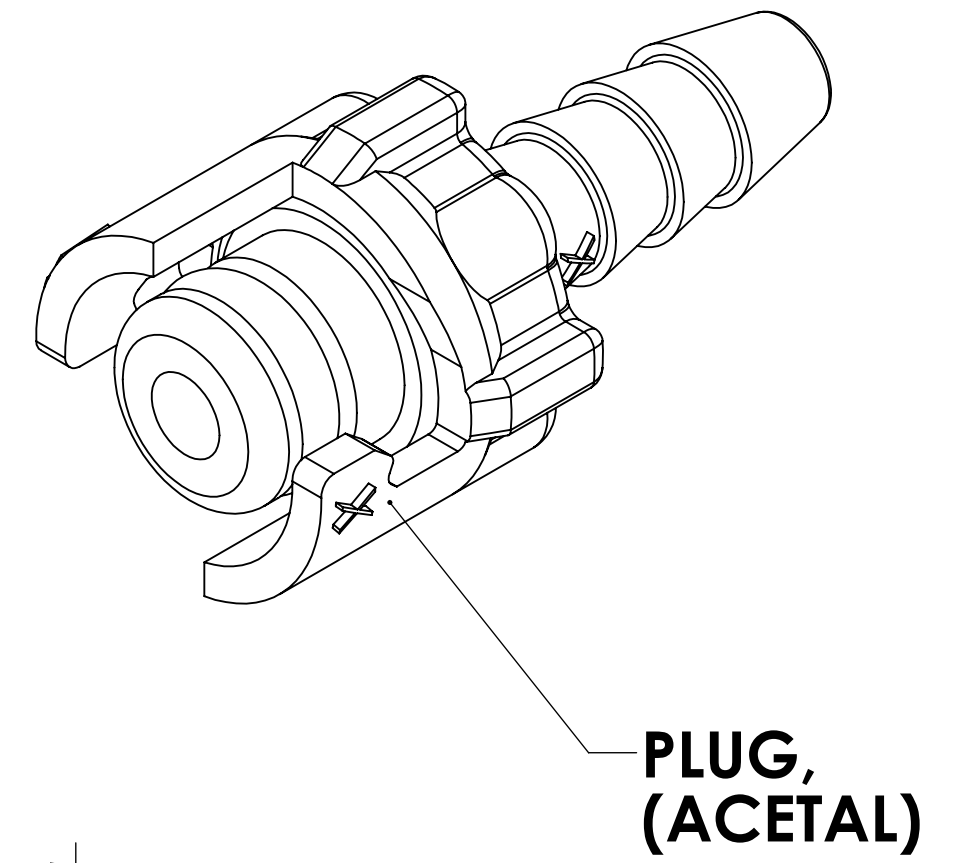
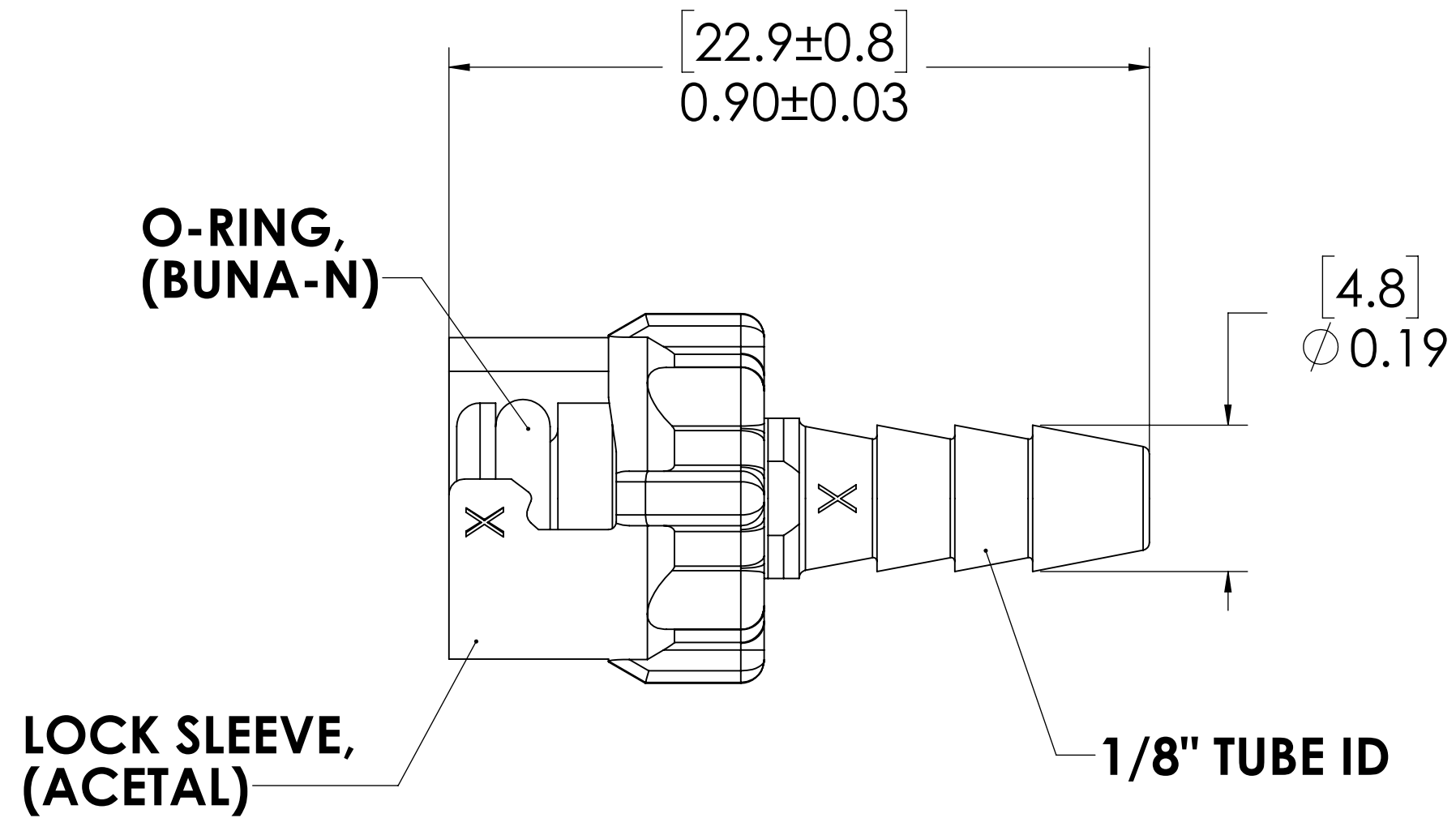
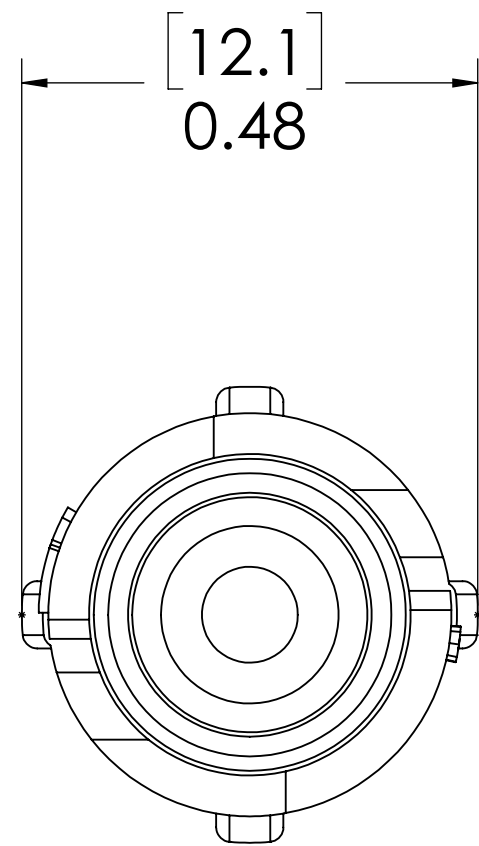


REVISIONS						
SHEET	ZONE	REV.	ECO	DESCRIPTION	DATE	APPROVED
1	ALL	A	50253	INITIAL RELEASE	8/27/2018	HRC
1	ALL	B	50303	BOM & FORMAT UPDATE	9/4/2019	HRC



NOTES:

- MATERIAL: ACETAL
- COLOR: BLACK
- O-RING MATERIAL: BUNA-N
- O-RINGS LUBRICATED WITH FOOD GRADE SILICONE OIL, 350 CST.

FOR REFERENCE ONLY

<small>UNLESS OTHERWISE SPECIFIED: DIMENSIONS ARE IN INCHES TOLERANCES: FRACTIONAL ± 1/32 ANGULAR: MACH ± 0.5 BEND ± 2 ONE PLACE DECIMAL ± 0.1 TWO PLACE DECIMAL ± 0.01 THREE PLACE DECIMAL ± 0.005 TWO PLACE DUAL (mm) [± 0.12]</small>	DRAWN	CGS	5-18-18	
	CHECKED	HRC	5/18/18	
	ENG APPR.	HRC	8/27/18	
	MFG APPR.	BDB	8/27/18	
<small>PROPRIETARY AND CONFIDENTIAL THE INFORMATION CONTAINED IN THIS DRAWING IS THE SOLE PROPERTY OF LINKTECH LLC. ANY REPRODUCTION OR DISCLOSURE IN PART OR AS A WHOLE WITHOUT THE WRITTEN PERMISSION OF LINKTECH LLC IS STRICTLY PROHIBITED.</small>	PURCHASING	LS	8/27/18	PART NO: 10AC-PB2-02BLK DESCRIPTION: LinkTech 10AC Series Straight Male, Non-valved, 1/8" HB, Molded Black, Acetal
<small>COMMENTS:</small>		SIZE DWG. NO. REV C 10AC100075 B	SCALE: NTS WEIGHT: SHEET 1 OF 1	