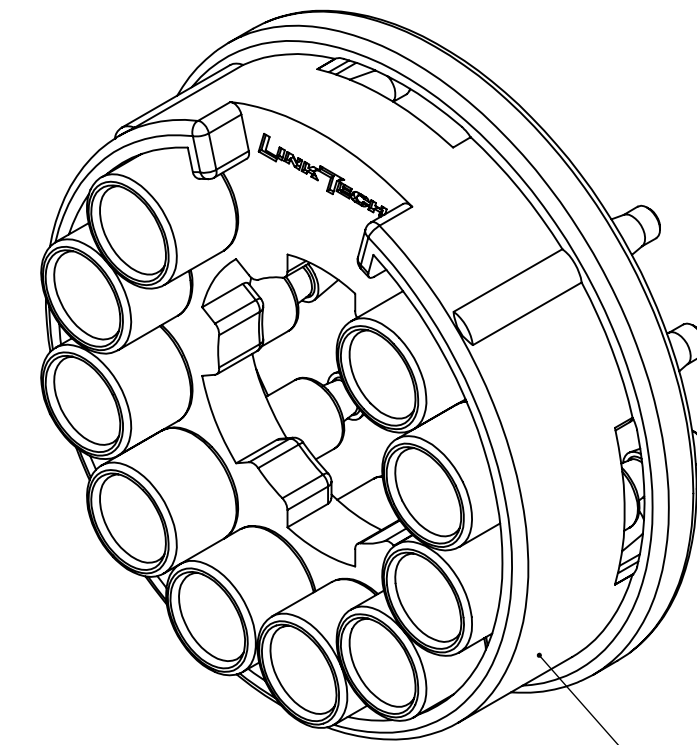
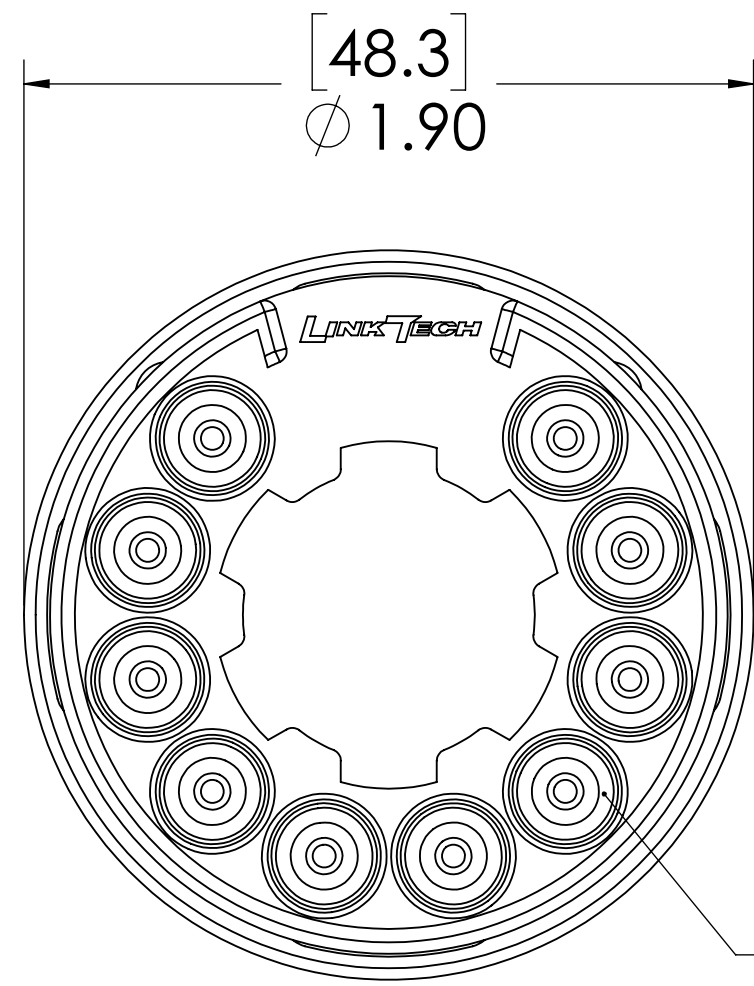


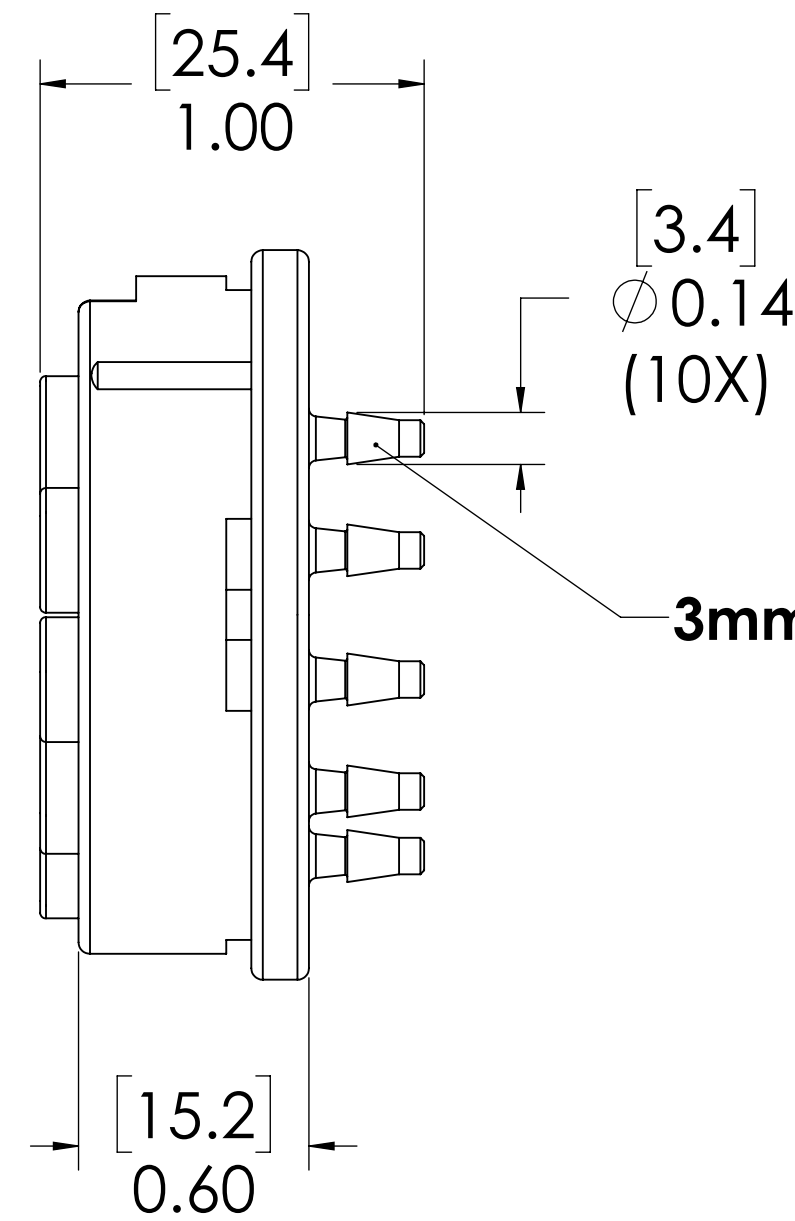
REVISIONS						
SHEET	ZONE	REV.	ECO	DESCRIPTION	DATE	APPROVED
ALL	ALL	A	50311	UPDATE DWG TO CURRENT FORMAT & STANDARDS	1/17/2020	CKE



**HOUSING,  
(ACETAL)**



**(10X) SOCKET,  
(POLYPROPYLENE)**



**3mm TUBE ID**

**NOTES:**

1. MATERIAL: POLYPROPYLENE
2. COLOR: HOUSING-BLACK; SOCKET INSERT-ALMOND

**FOR REFERENCE ONLY**

<small>UNLESS OTHERWISE SPECIFIED: DIMENSIONS ARE IN INCHES TOLERANCES: FRACTIONAL ± 1/32 ANGULAR: MACH ± 0.5 BEND ± 2 ONE PLACE DECIMAL ± 0.1 TWO PLACE DECIMAL ± 0.01 THREE PLACE DECIMAL ± 0.005 TWO PLACE DUAL (mm) [± 0.12]</small>	DRAWN	ER	11/07/17	
	CHECKED	CKE	1/2/20	
	ENG APPR.	HRC	1/17/20	
	MFG APPR.	BDB	1/17/20	
<small>PROPRIETARY AND CONFIDENTIAL THE INFORMATION CONTAINED IN THIS DRAWING IS THE SOLE PROPERTY OF LINKTECH LLC. ANY REPRODUCTION OR DISCLOSURE IN PART OR AS A WHOLE WITHOUT THE WRITTEN PERMISSION OF LINKTECH LLC IS STRICTLY PROHIBITED.</small>	Q.A.	LS	1/17/20	<b>PART NO:</b> 100PP-S2-M3  <b>DESCRIPTION:</b> <b>LinkTech 100PP Series Straight Female, Non-valved, 3mm HB, Polypropylene</b>
<small>SCALE: NTS WEIGHT:</small>		<b>SIZE DWG. NO.</b> <b>C 100PP100021</b>	<b>REV</b> <b>A</b>	<b>SHEET 1 OF 1</b>