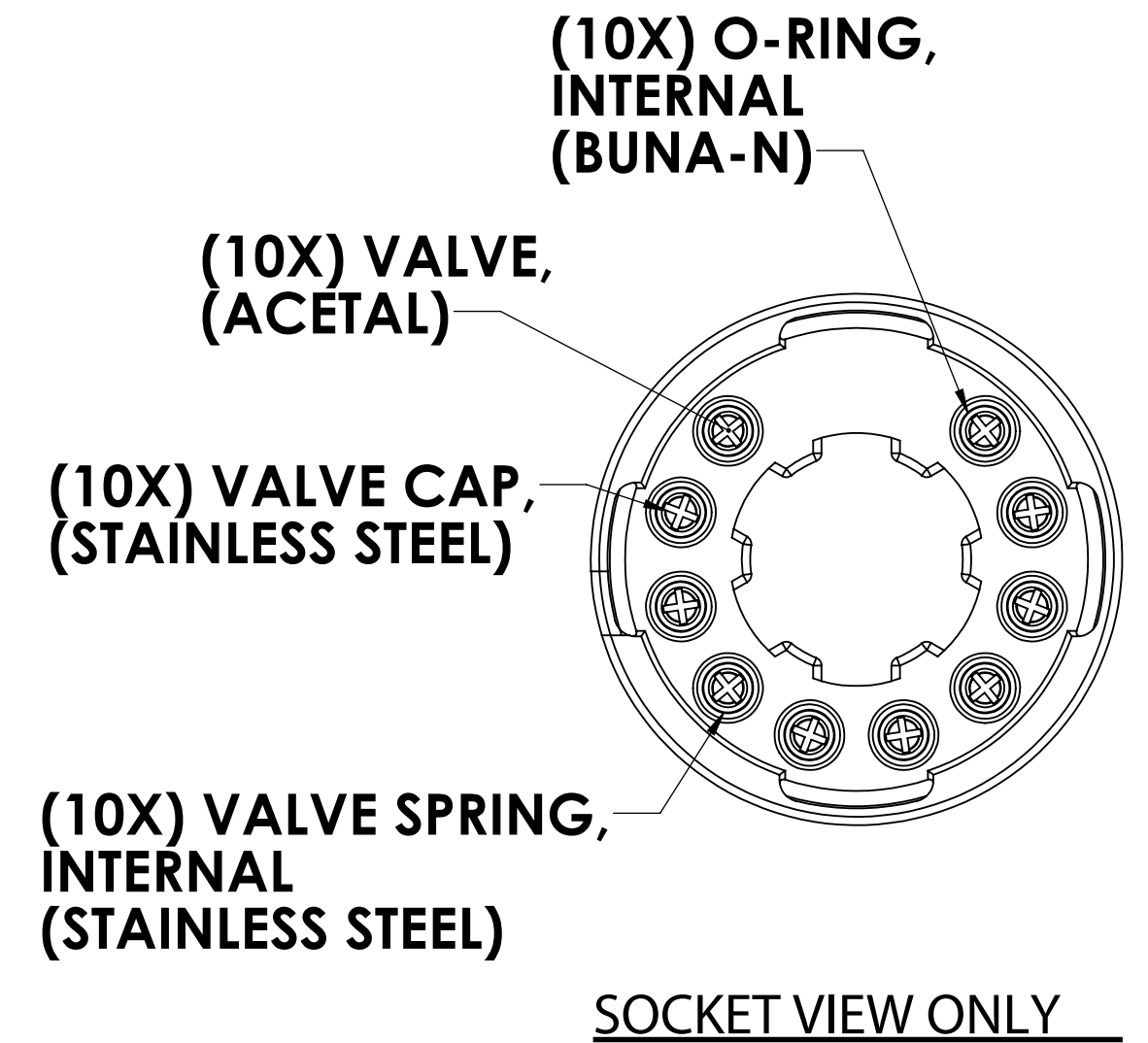
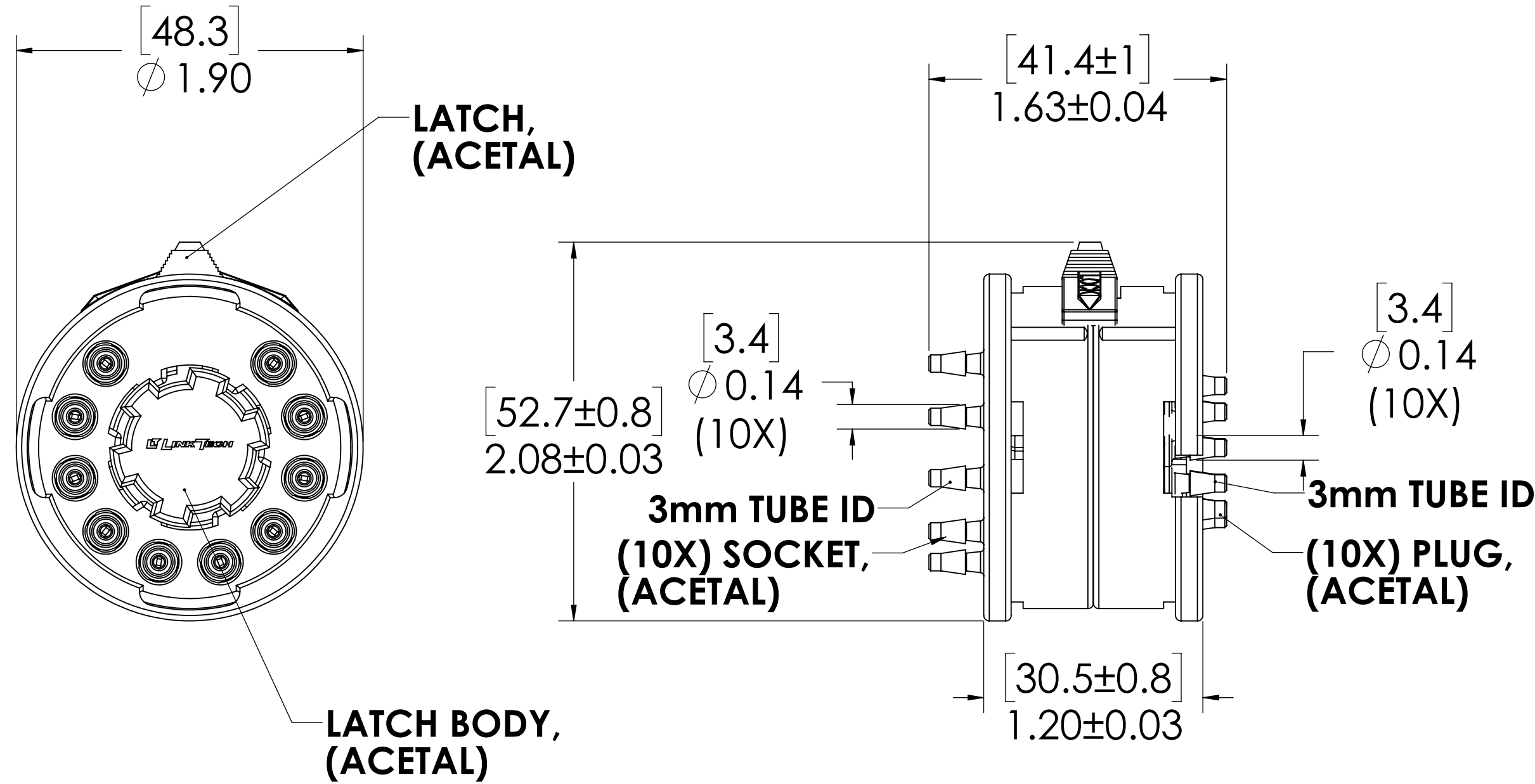
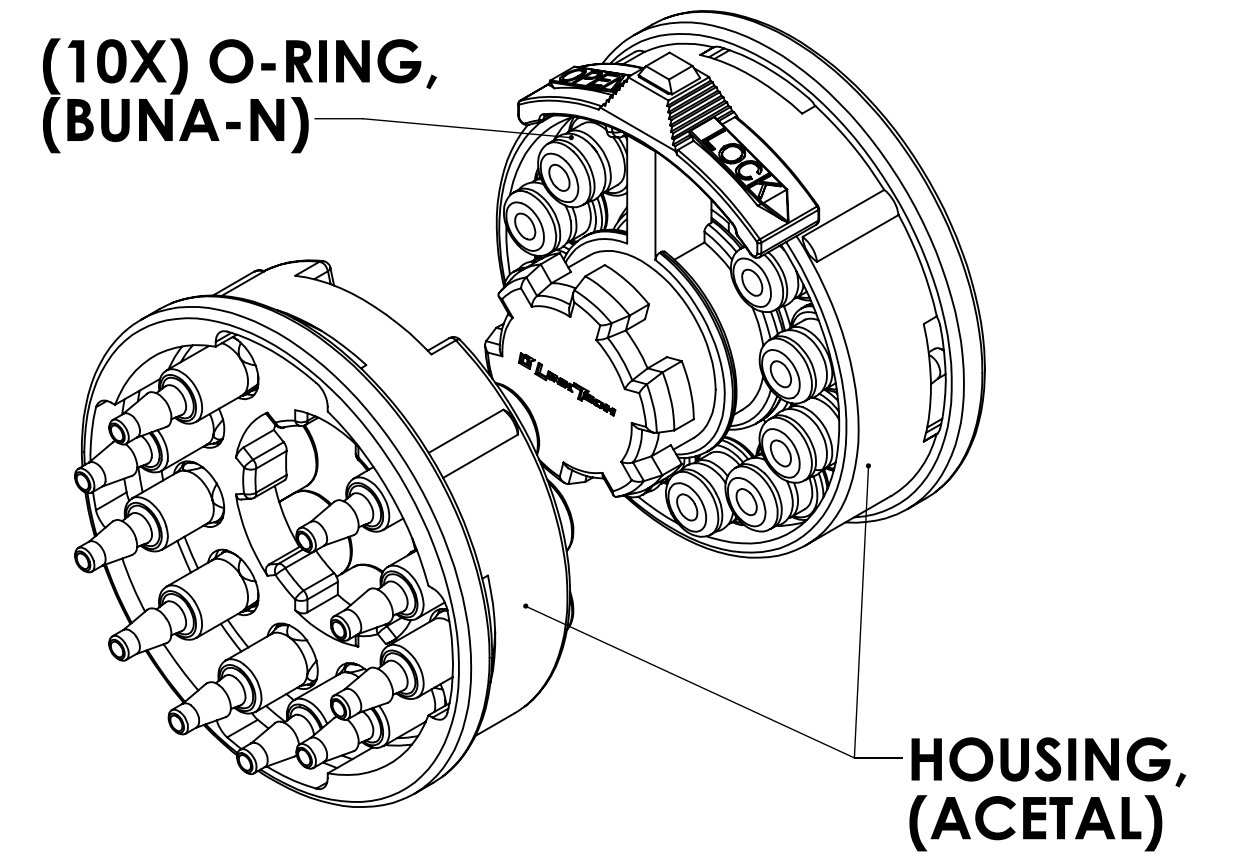


| REVISIONS | | | | | | |
|-----------|------|------|-------|---|-----------|----------|
| SHEET | ZONE | REV. | ECO | DESCRIPTION | DATE | APPROVED |
| ALL | ALL | A | 50311 | UPATE DWG TO CURRENT FORMAT & STANDARDS | 1/17/2020 | CKE |



NOTES:

1. MATERIAL: ACETAL
2. COLOR: BLACK
3. O-RING MATERIAL: BUNA-N
4. O-RINGS LUBRICATED WITH FOOD GRADE SILICONE OIL, 350 CST.

FOR REFERENCE ONLY

| | | | | |
|--|-----------|---------------------------------|----------|--|
| <small>UNLESS OTHERWISE SPECIFIED: DIMENSIONS ARE IN INCHES TOLERANCES: FRACTIONAL ± 1/32 ANGULAR: MACH ± 0.5 BEND ± 2 ONE PLACE DECIMAL ± 0.1 TWO PLACE DECIMAL ± 0.01 THREE PLACE DECIMAL ± 0.005 TWO PLACE DUAL (mm) [± 0.12]</small> | DRAWN | ER | 11/03/17 | |
| | CHECKED | CKE | 1/6/20 | |
| | ENG APPR. | HRC | 1/17/20 | |
| | MFG APPR. | BDB | 1/17/20 | |
| <small>PROPRIETARY AND CONFIDENTIAL THE INFORMATION CONTAINED IN THIS DRAWING IS THE SOLE PROPERTY OF LINKTECH LLC. ANY REPRODUCTION OR DISCLOSURE IN PART OR AS A WHOLE WITHOUT THE WRITTEN PERMISSION OF LINKTECH LLC IS STRICTLY PROHIBITED.</small> | Q.A. | LS | 1/17/20 | LINKTECH PART NO: 100ACV2-M3 DESCRIPTION: LinkTech 100AC Series Straight Coupling, Valved, 3mm HB, Acetal |
| SIZE DWG. NO. REV C 100AC100142 A | | SCALE: NTS WEIGHT: SHEET 1 OF 1 | | |