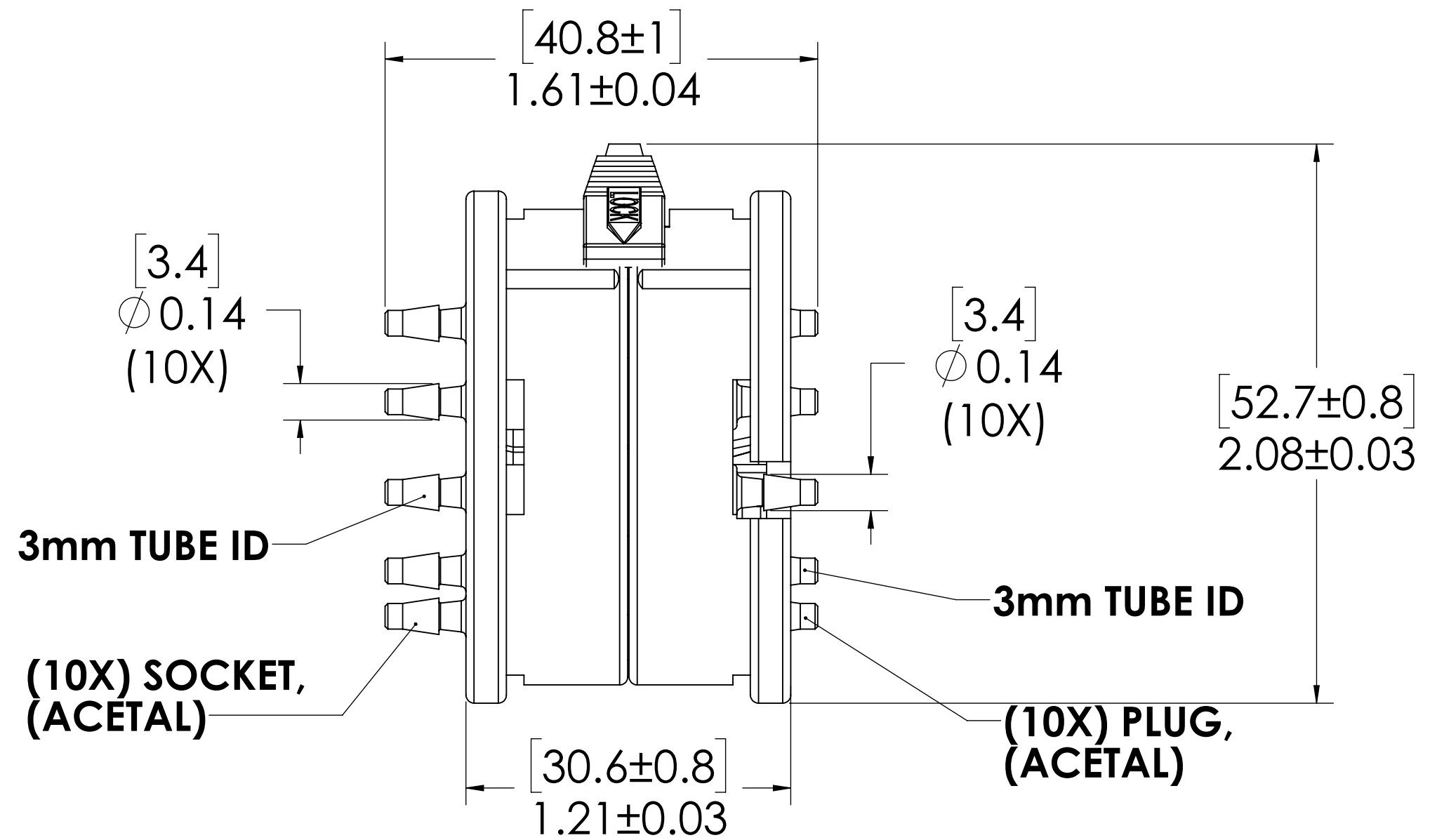
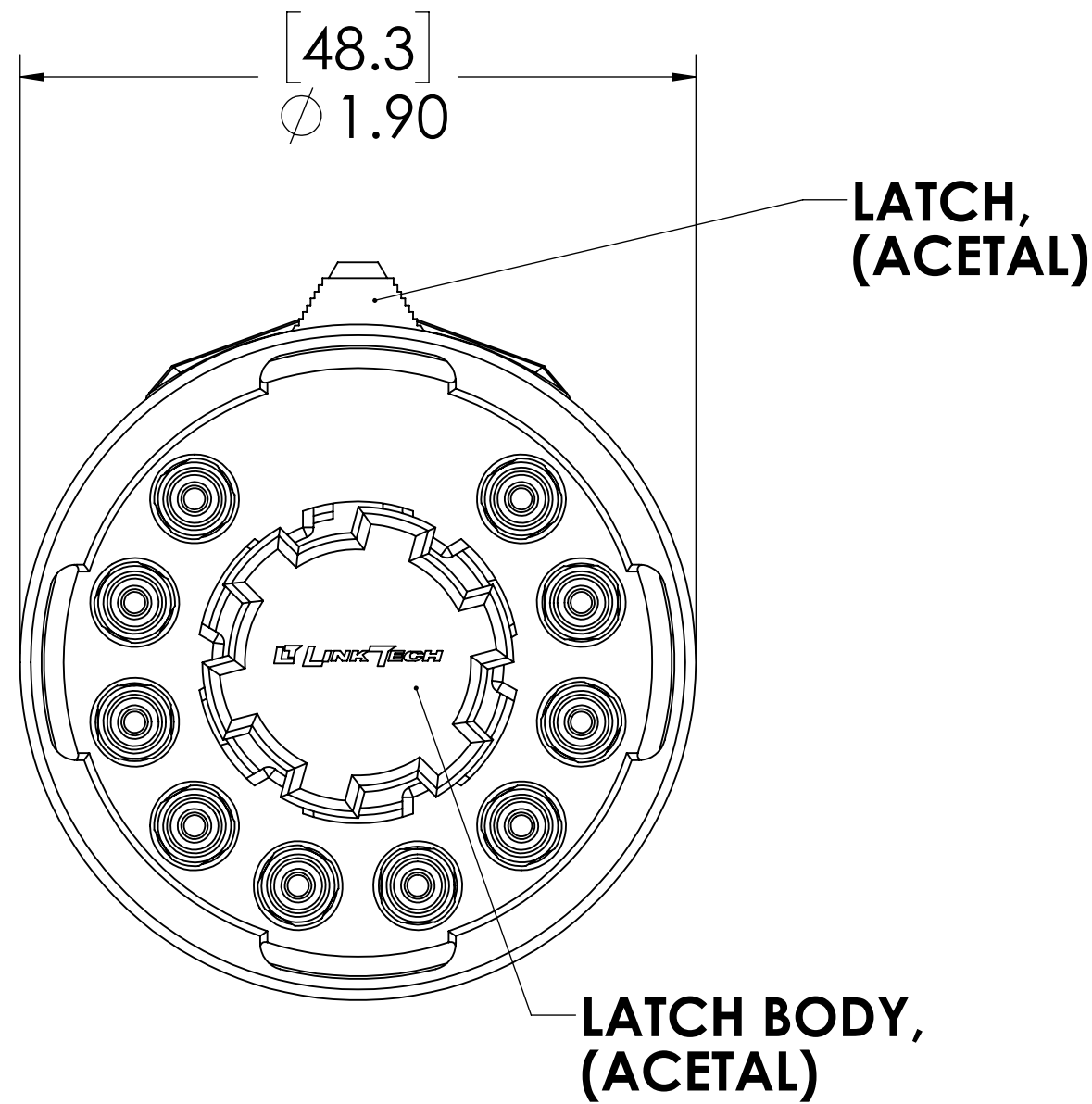
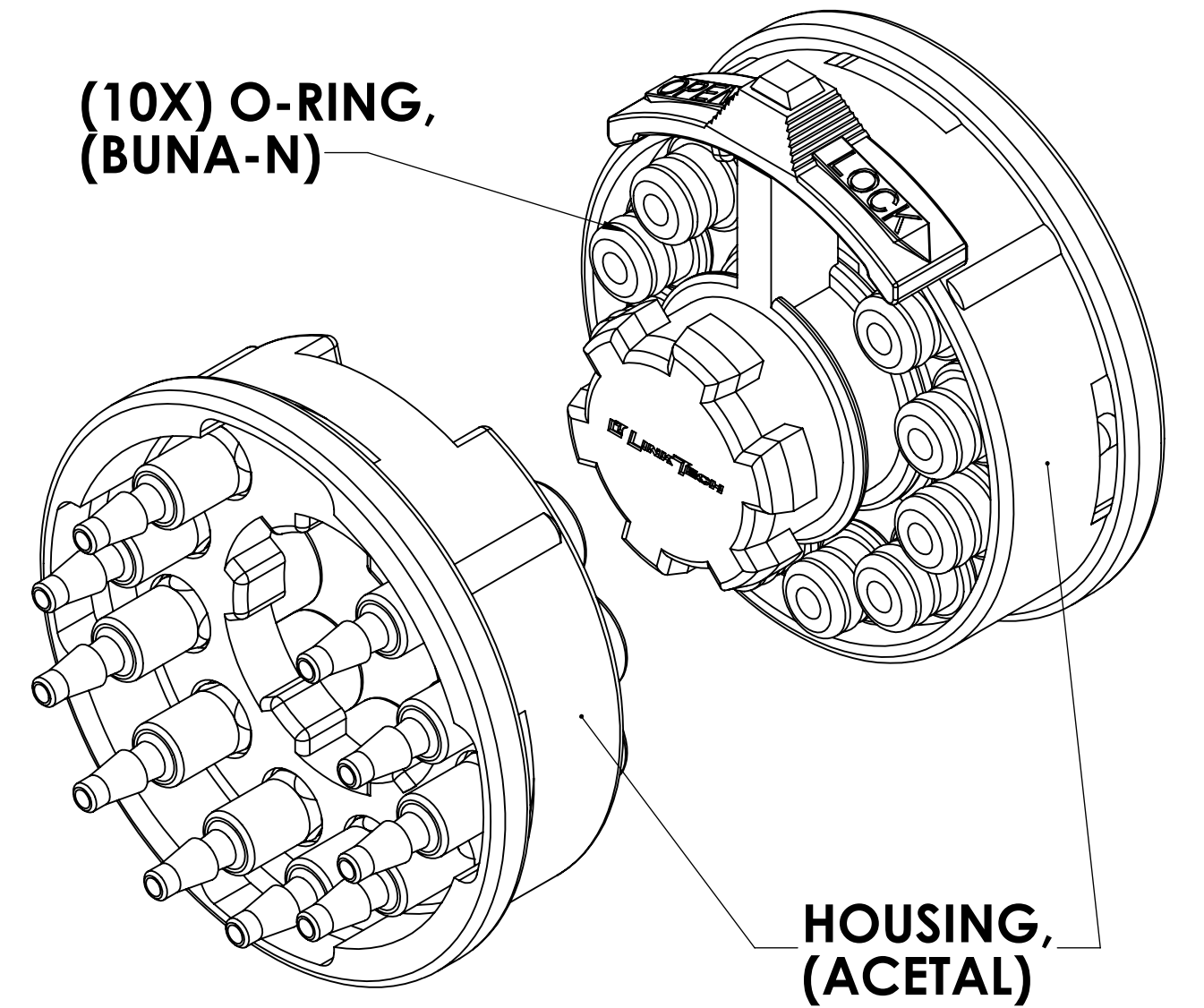


REVISIONS						
SHEET	ZONE	REV.	ECO	DESCRIPTION	DATE	APPROVED
1	ALL	A	50311	UPDATE DWG TO CURRENT FORMAT & STANDARDS	1/17/2020	CKE



NOTES:

1. MATERIAL: ACETAL
2. COLOR: BLACK
3. O-RING MATERIAL: BUNA-N
4. O-RINGS LUBRICATED WITH FOOD GRADE SILICONE OIL, 350 CST.

FOR REFERENCE ONLY

UNLESS OTHERWISE SPECIFIED:		NAME	DATE	 PART NO: 100AC2-M3 DESCRIPTION: LinkTech 100AC Series Straight Coupling Non-valved, 3mm HB, Acetal SIZE DWG. NO. REV C 100AC100139 A SCALE: NTS WEIGHT: SHEET 1 OF 1	
DIMENSIONS ARE IN INCHES		DRAWN	ER		11/02/17
TOLERANCES:		CHECKED	CKE		1/6/20
FRACTIONAL ±1/32		ENG APPR.	HRC		1/17/20
ANGULAR: MACH ±0.5 BEND ±2		MFG APPR.	BDB		1/17/20
ONE PLACE DECIMAL ±0.1		Q.A.	LS	1/17/20	
TWO PLACE DECIMAL ±0.01		COMMENTS:			
THREE PLACE DECIMAL ±0.005					
TWO PLACE DECIMAL (mm) [±0.12]					
PROPRIETARY AND CONFIDENTIAL THE INFORMATION CONTAINED IN THIS DRAWING IS THE SOLE PROPERTY OF LINKTECH LLC. ANY REPRODUCTION OR DISCLOSURE IN PART OR AS A WHOLE WITHOUT THE WRITTEN PERMISSION OF LINKTECH LLC IS STRICTLY PROHIBITED.					