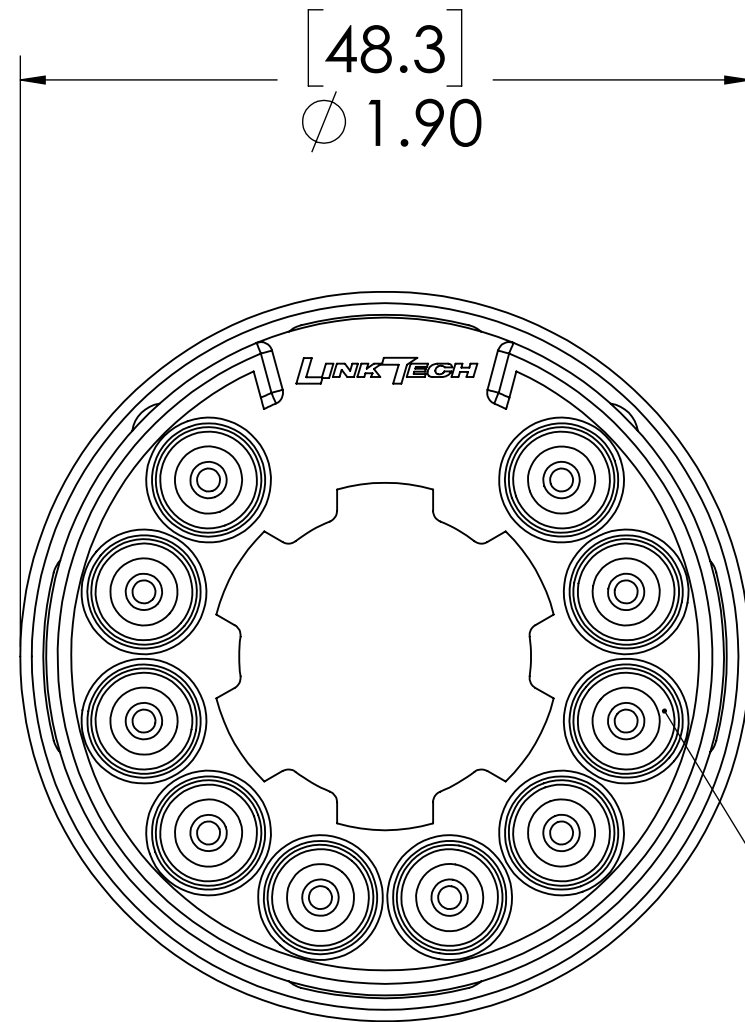
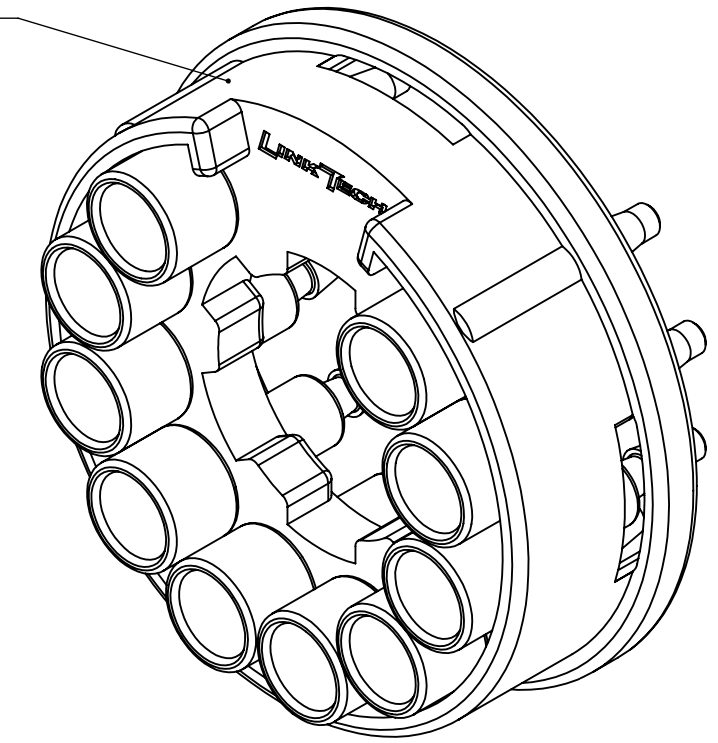
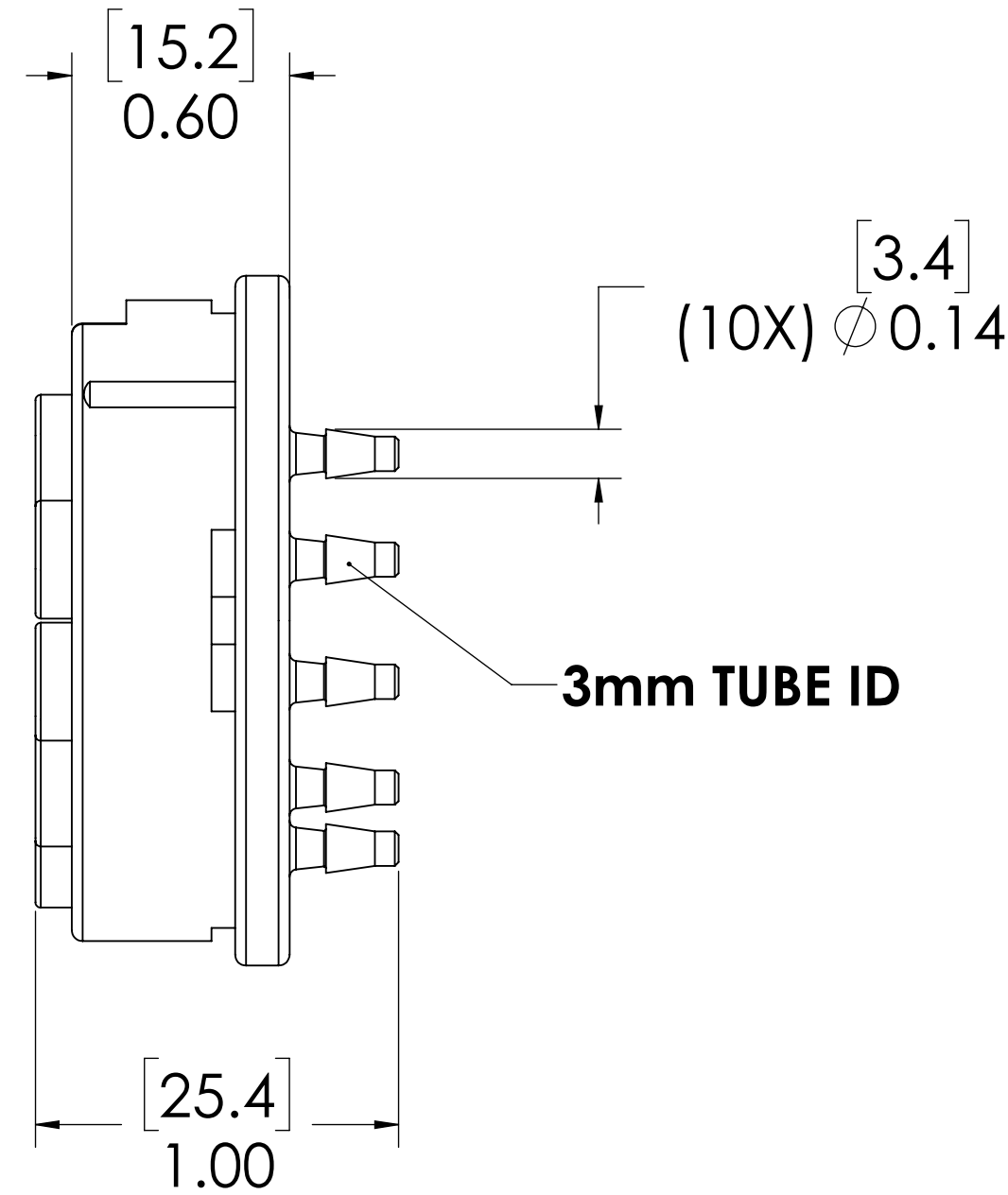


REVISIONS						
SHEET	ZONE	REV.	ECO	DESCRIPTION	DATE	APPROVED
ALL	ALL	A	50311	UPDATE DWG TO CURRENT FORAMT & STANDARDS	1/17/2020	CKE

**HOUSING,  
(ACETAL)**



**(10X) SOCKET,  
(ACETAL)**



**3mm TUBE ID**

**NOTES:**

1. MATERIAL: ACETAL
2. COLOR: BLACK

**FOR REFERENCE ONLY**

UNLESS OTHERWISE SPECIFIED:		NAME	DATE	
<small>DIMENSIONS ARE IN INCHES TOLERANCES: FRACTIONAL ± 1/32 ANGULAR: MACH ± 0.5 BEND ± 2 ONE PLACE DECIMAL ± 0.1 TWO PLACE DECIMAL ± 0.01 THREE PLACE DECIMAL ± 0.005 TWO PLACE DUAL (mm) [± 0.12]</small>		DRAWN	ER	
<small>PROPRIETARY AND CONFIDENTIAL THE INFORMATION CONTAINED IN THIS DRAWING IS THE SOLE PROPERTY OF LINKTECH LLC. ANY REPRODUCTION OR DISCLOSURE IN PART OR AS A WHOLE WITHOUT THE WRITTEN PERMISSION OF LINKTECH LLC IS STRICTLY PROHIBITED.</small>		CHECKED	CKE	1/6/20
		ENG APPR.	HRC	1/17/20
		MFG APPR.	BDB	1/17/20
Q.A.		LS	1/17/20	<b>PART NO:</b> 100AC-S2-M3  <b>DESCRIPTION:</b> <b>LinkTech 100AC Series Straight Female, 3mm HB, Black, Acetal</b>
COMMENTS:				
SIZE	DWG. NO.	REV		
C	100AC100131	A		
SCALE: NTS	WEIGHT:	SHEET 1 OF 1		