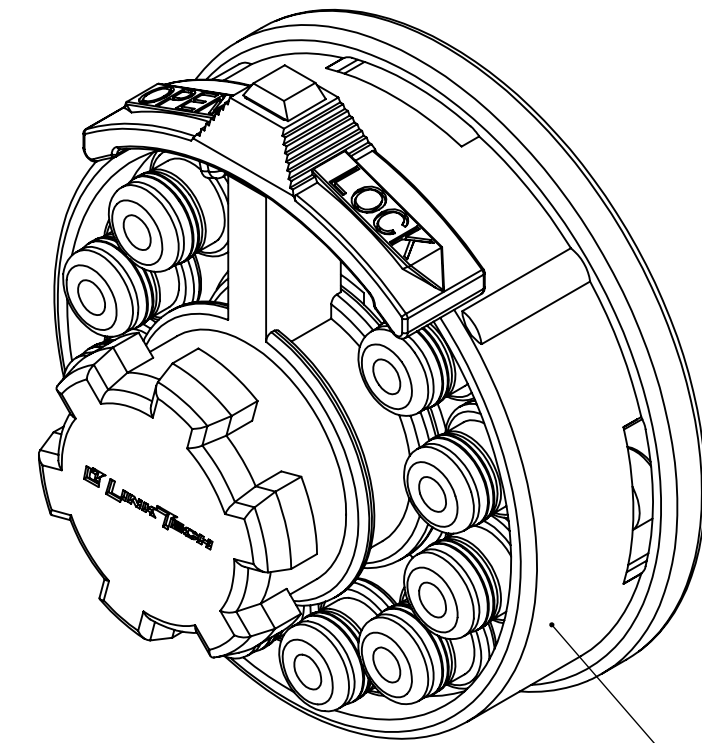
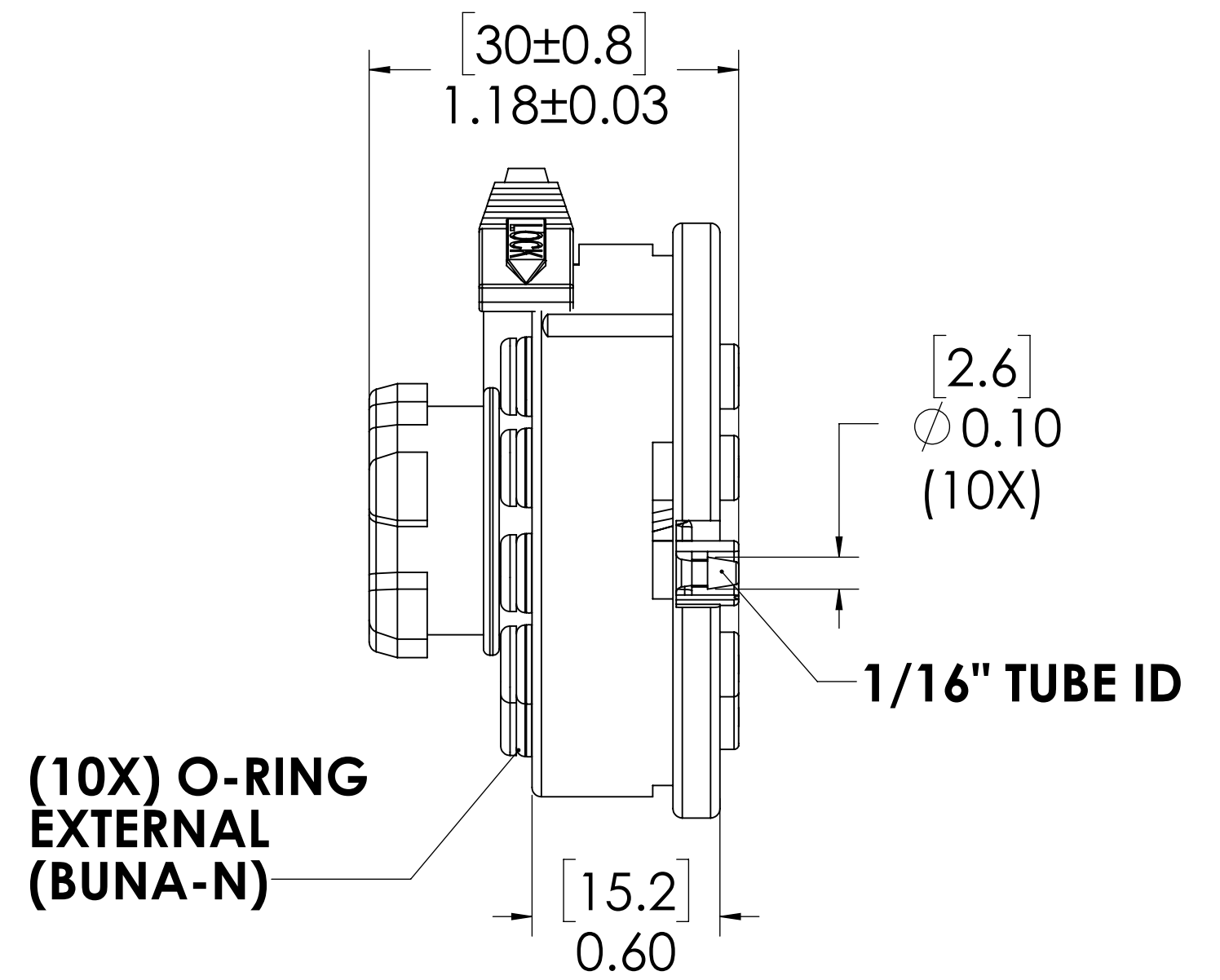
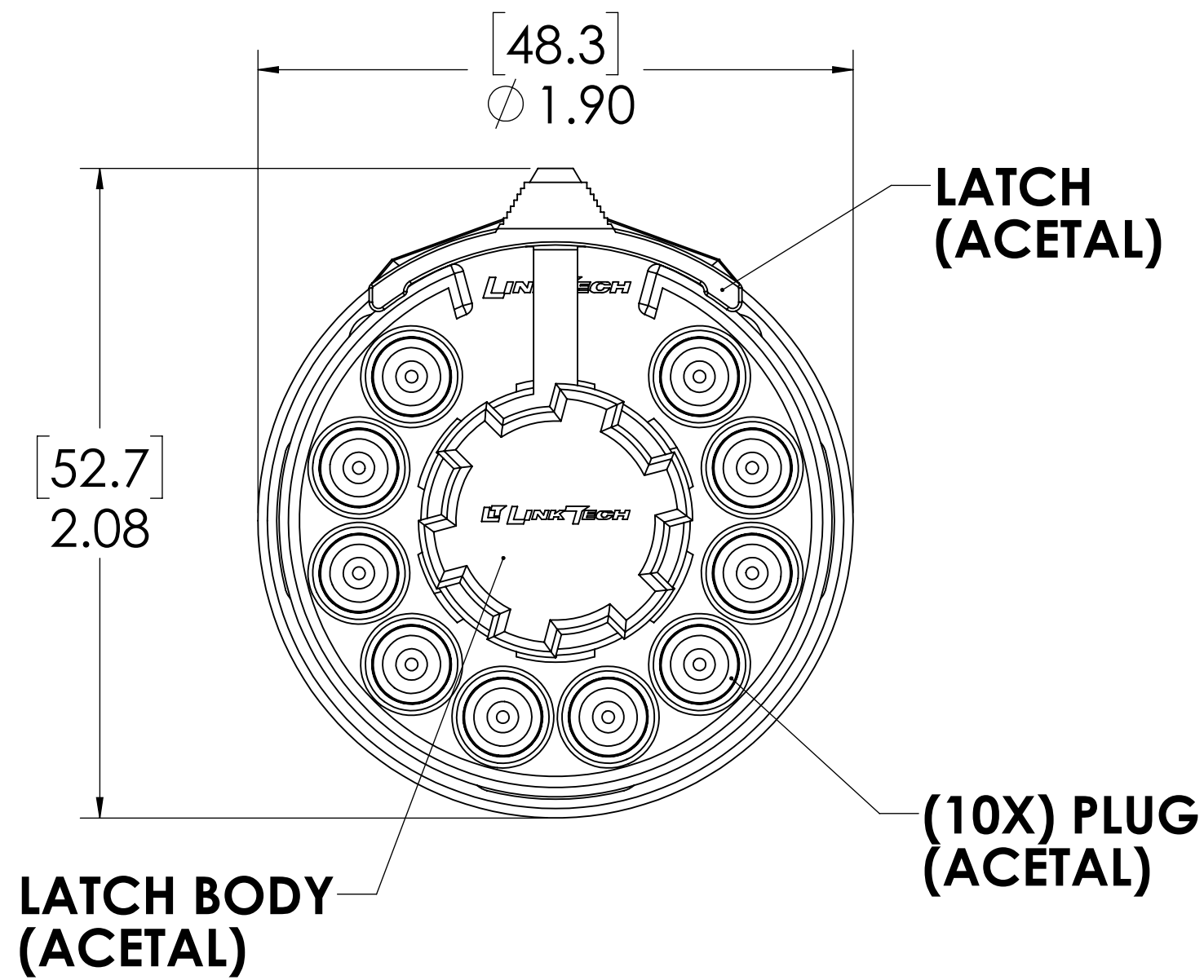


REVISIONS						
SHEET	ZONE	REV.	ECO	DESCRIPTION	DATE	APPROVED
1	ALL	A	50253	UPDATE DWG TO CURRENT FORMAT & STANDARDS	10/30/2018	HRC



**HOUSING  
(ACETAL)**



**NOTES:**

1. MATERIAL: ACETAL
2. COLOR: BLACK
3. O-RING MATERIAL: BUNA-N
4. O-RINGS LUBRICATED WITH FOOD GRADE SILICONE OIL, 350 CST.

**FOR REFERENCE ONLY**

<small>UNLESS OTHERWISE SPECIFIED: DIMENSIONS ARE IN INCHES TOLERANCES: FRACTIONAL ±1/32 ANGULAR: MACH ±0.5 BEND ±2 ONE PLACE DECIMAL ±0.1 TWO PLACE DECIMAL ±0.01 THREE PLACE DECIMAL ±0.005 TWO PLACE DUAL (mm) [±0.12]</small>	DRAWN	ER	11/01/17							
	CHECKED	HRC	11/01/17							
	ENG APPR.	HRC	10/30/18							
	MFG APPR.	BDB	10/30/18							
PRODUCTION	LS	10/30/18		<b>PART NO: 100AC-PB2-01</b> <b>DESCRIPTION:</b> <b>LinkTech 100AC Series Straight Male, Non-Valved, 1/16" HB</b>						
<small>PROPRIETARY AND CONFIDENTIAL THE INFORMATION CONTAINED IN THIS DRAWING IS THE SOLE PROPERTY OF LINKTECH LLC. ANY REPRODUCTION OR DISCLOSURE IN PART OR AS A WHOLE WITHOUT THE WRITTEN PERMISSION OF LINKTECH LLC IS STRICTLY PROHIBITED.</small>	COMMENTS:			<table border="1"> <tr> <td>SIZE</td> <td>DWG. NO.</td> <td>REV</td> </tr> <tr> <td>C</td> <td>100AC100134</td> <td>A</td> </tr> </table>	SIZE	DWG. NO.	REV	C	100AC100134	A
SIZE	DWG. NO.	REV								
C	100AC100134	A								
SCALE: NTS		WEIGHT:	SHEET 1 OF 1							