

A148



LOCKING HANDLES WITH THREADED FEMALE INSERT

Material:
Reinforced Polyamide.
Oils and grases resistant.

Surface:
Satin.

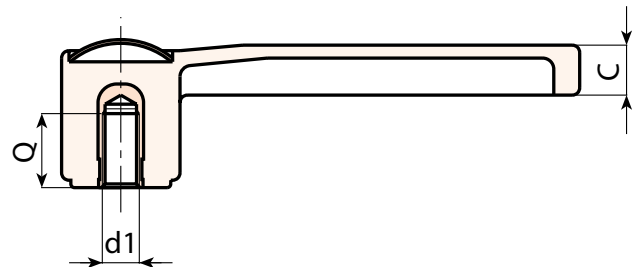
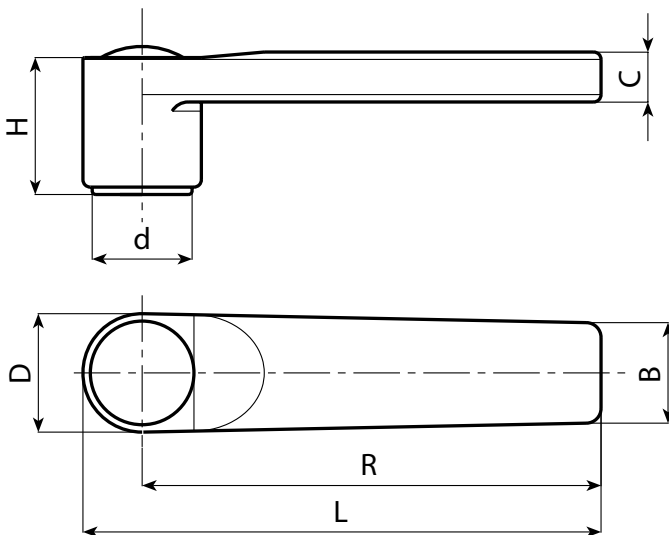
Colour:
Black (RAL 9011).

Central Cap:
grey polyamide (RAL 7035).

Main insert:
Brass insert with threaded blind bore.
(Thread tolerance 6H).

SPECIAL REQUESTS:

- It's possible to supply the inserts with different materials, on request and for quantities.



Presumable presence in the stock in %

90% ● 40% ● 5% ●

	Art.	L	R	H	D	c	B	h1	d	d1 6H	Q	g
	A148125.TM1001	139	125	37	31	13	26	35	27,5	M10	20	78
	A148125.TM1201	139	125	37	31	13	26	35	27,5	M12	18	84
	A148125.TM1401	139	125	37	31	13	26	35	27,5	M14	19	90