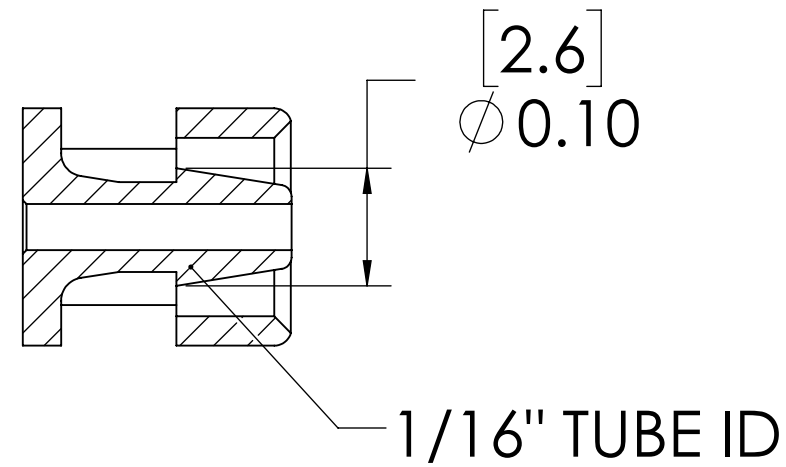
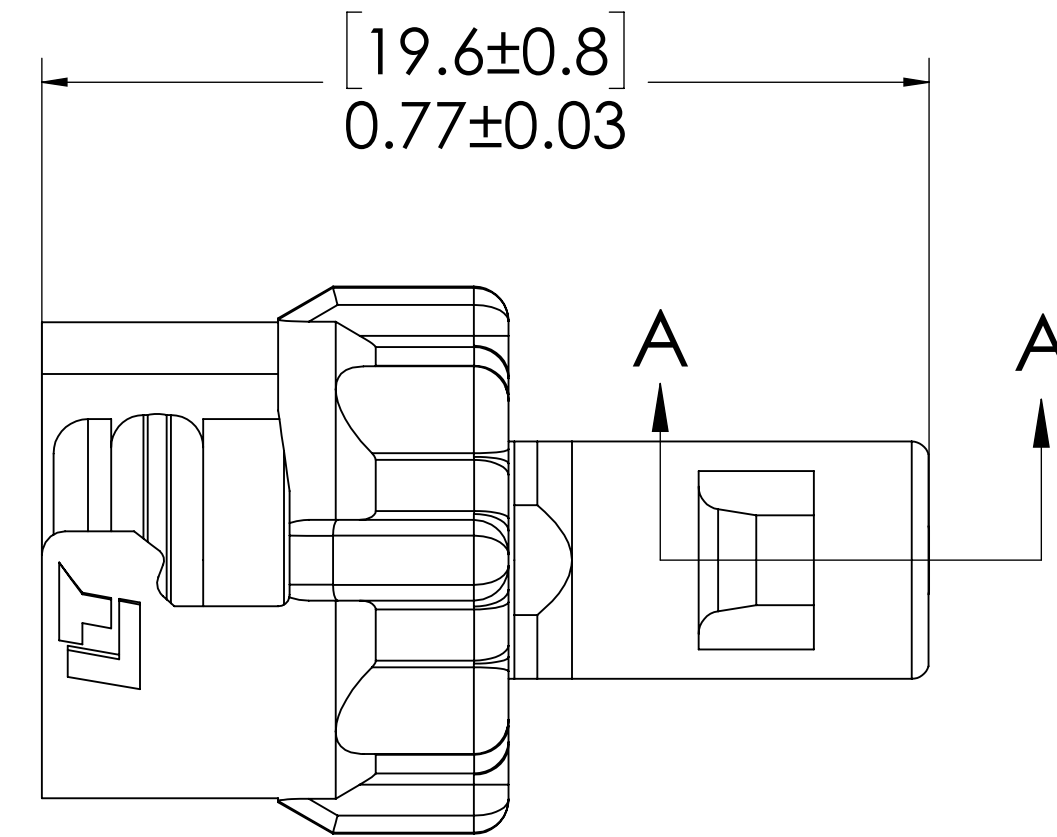
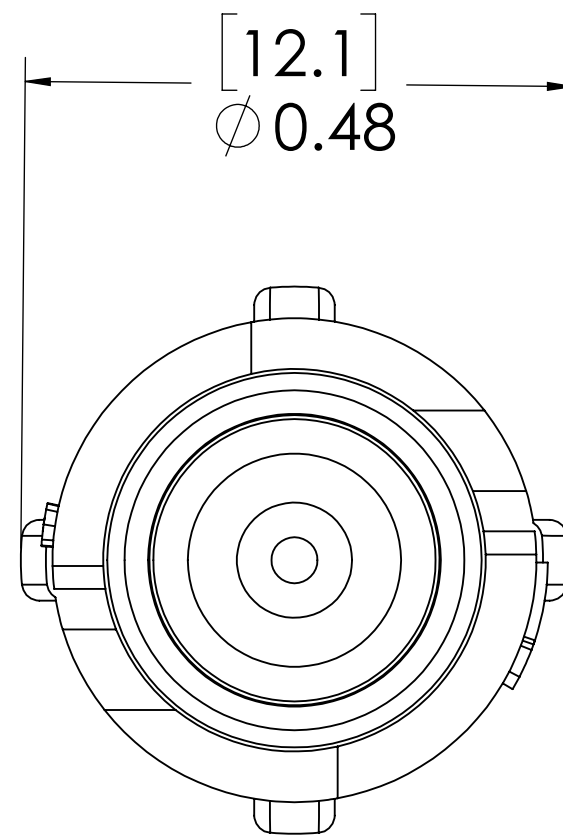
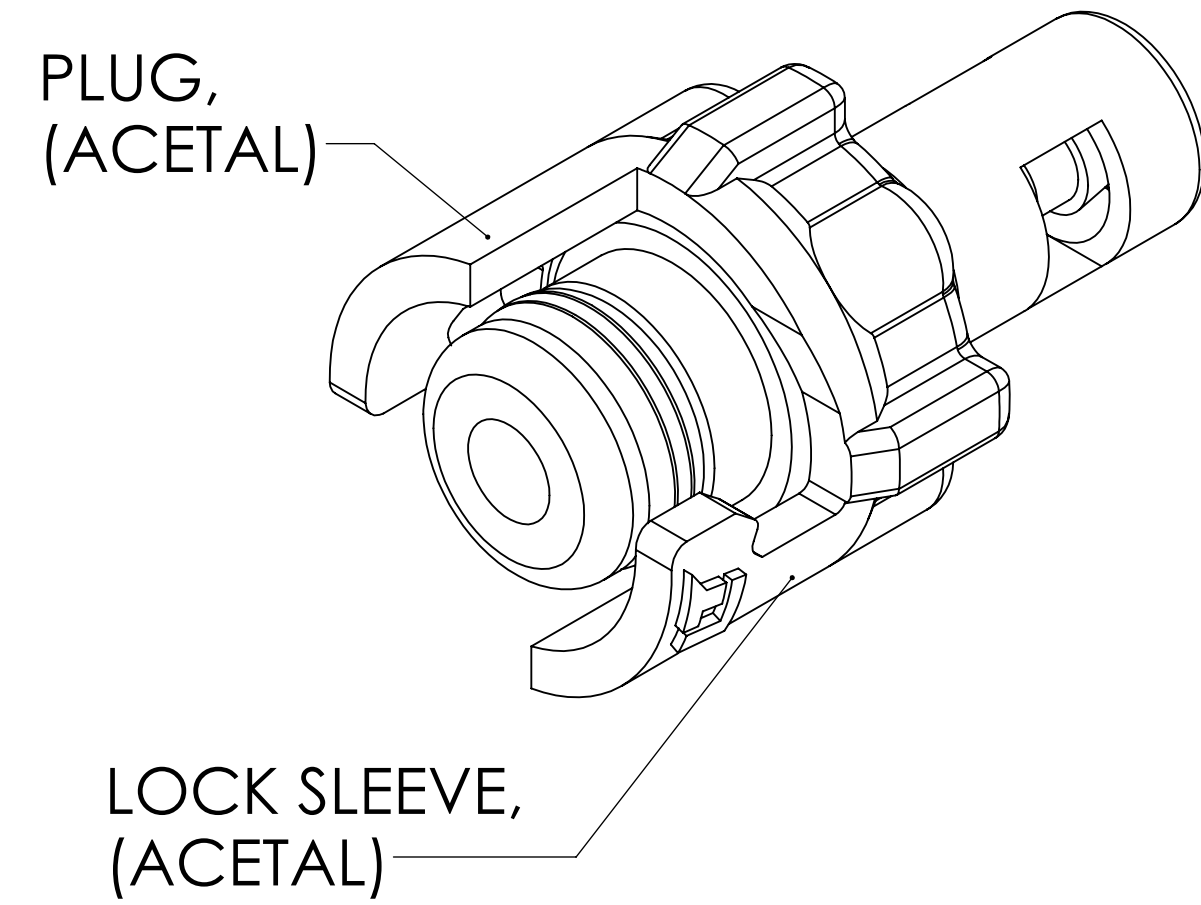


REVISIONS						
SHEET	ZONE	REV.	ECO	DESCRIPTION	DATE	APPROVED
1	E-4	A	...	UPDATED BARREL DESIGN	8/28/2012	HRC
1	ALL	A	50047	INITIAL RELEASE	6/11/2012	HRC
1	ALL	B	50253	2017 FORMAT UPDATE	5/7/2018	HRC



SECTION A-A
SCALE 6 : 1



NOTES:

1. MATERIAL: ACETAL
2. COLOR: NATURAL WHITE
3. O-RING MATERIAL: BUNA-N
4. O-RINGS LUBRICATED WITH FOOD GRADE SILICONE OIL, 350 CST.

FOR REFERENCE ONLY

<small>UNLESS OTHERWISE SPECIFIED: DIMENSIONS ARE IN INCHES TOLERANCES: FRACTIONAL ± 1/32 ANGULAR: MACH ± 0.5 BEND ± 2 ONE PLACE DECIMAL ± 0.1 TWO PLACE DECIMAL ± 0.01 THREE PLACE DECIMAL ± 0.005 TWO PLACE DUAL (mm) [± 0.12]</small>	<small>DRAWN</small> HRC 5/25/12	<small>NAME</small> HRC 5/25/12		
	<small>CHECKED</small> HRC 5/25/12	<small>ENG APPR.</small> HRC 5/7/18		PART NO: 10AC-PB2-01
	<small>MFG APPR.</small> BDB 5/7/18	<small>PRODUCTION</small> RK 5/7/18		DESCRIPTION: LinkTech 10AC Series Straight Male, Non-valved, 1/16" HB, Natural Acetal
	<small>PROPRIETARY AND CONFIDENTIAL</small> THE INFORMATION CONTAINED IN THIS DRAWING IS THE SOLE PROPERTY OF LINKTECH LLC. ANY REPRODUCTION OR DISCLOSURE IN PART OR AS A WHOLE WITHOUT THE WRITTEN PERMISSION OF LINKTECH LLC IS STRICTLY PROHIBITED.			<small>COMMENTS:</small>
<small>SCALE: NTS</small>		<small>WEIGHT:</small>	<small>SHEET 1 OF 1</small>	