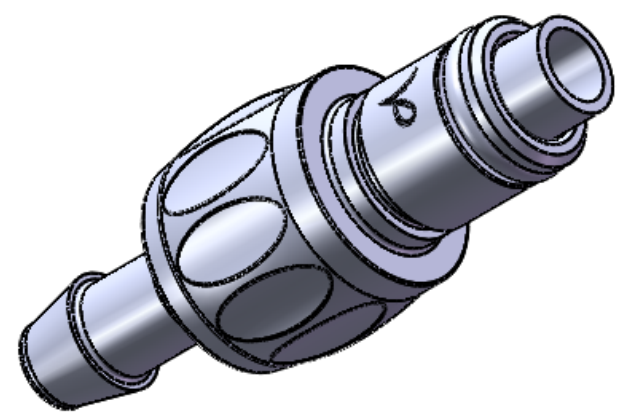
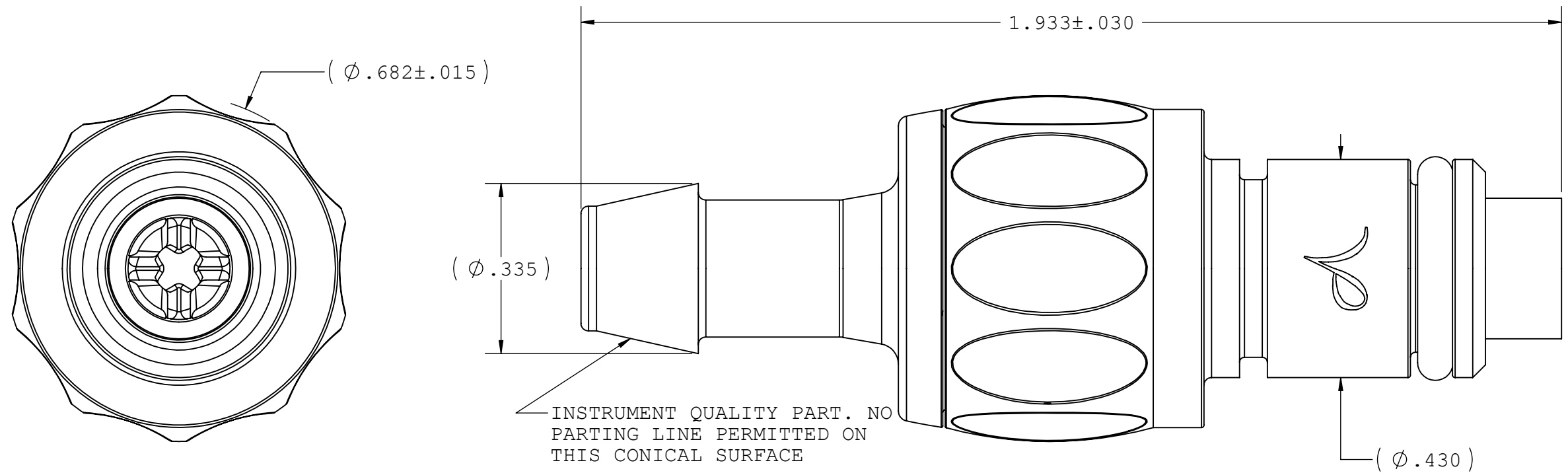


NOTES: FOR MORE DETAILS SEE YOUR V.P. SERVICE REP.

REVISIONS			
REV.		DATE	APPROVED
C	PRODUCTION RELEASE	06-01-07	S.N.R
D	ECO063 ADDED POLYPROPYLENE (-6006) MATERIAL	10-19-07	S.N.R
E	ECO079 & ECO080	07-25-08	S.N.R
F	ECO 111	06-01-09	S.N.R



UNLESS OTHERWISE SPECIFIED DIMENSIONS ARE IN INCHES TOLERANCES ARE:		<b>VALUE PLASTICS, INC</b> R. Narayanan		
FRACTIONS	DECIMAL			
± .XX	± .01	± 1°	DESCRIPTION: Quick Disconnect Straight Through Male Shutoff Style w/ 700 Series Barbs, 1/4" (6.35 mm) ID Tubing	
± .XXX	± .005		SIZE: <b>B</b> SCALE: NTS DWG. NO. 1010109 REV F	
± .XXXX	± .001		NEW PRODUCT DEVELOPMENT MGR: R. Narayanan	
DO NOT SCALE DRAWING		2007 VALUE PLASTICS, INC		SHEET: 1 OF 1

**Arbel Agencies LTD.**

11 Ba'alei Hamelacha st. Qiryat Bialik P.O.B 1095, ZIP 2751311, ISRAEL

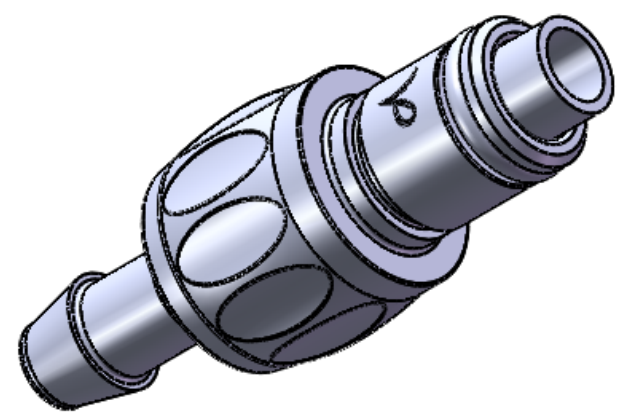
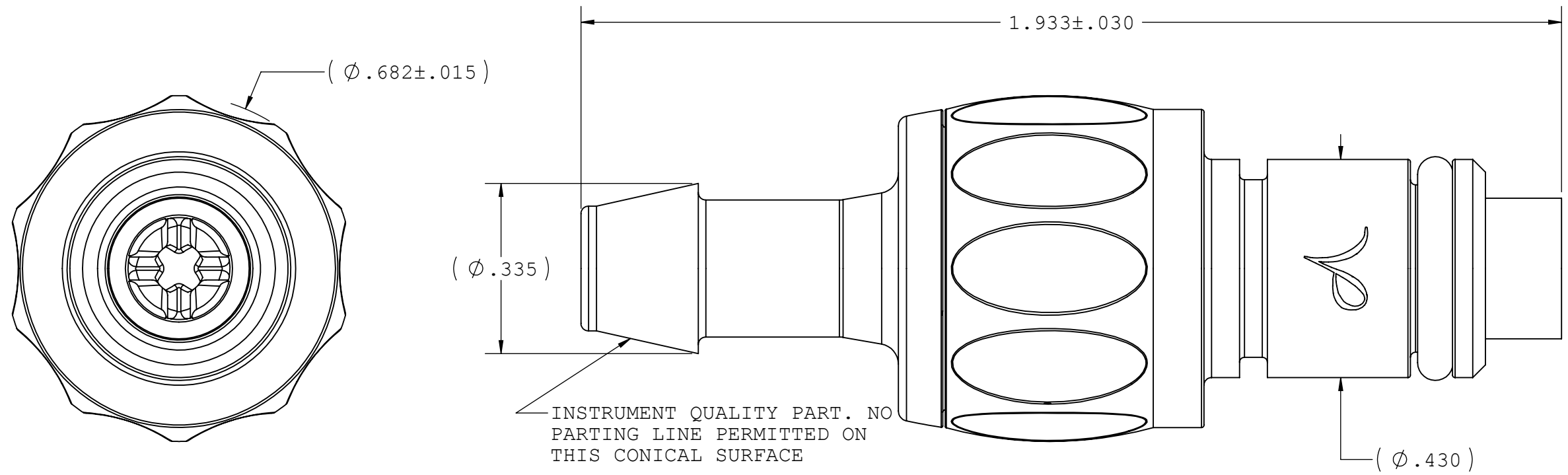
+972(0)48736969 ☎ +972(0)48730708 📠 info@arbel-ltd.com ✉ www.arbel-ltd.com 🌐



**FOR REFERENCE ONLY**

NOTES: FOR MORE DETAILS SEE YOUR V.P. SERVICE REP.

REVISIONS			
REV.		DATE	APPROVED
C	PRODUCTION RELEASE	06-01-07	S.N.R
D	ECO063 ADDED POLYPROPYLENE (-6006) MATERIAL	10-19-07	S.N.R
E	ECO079 & ECO080	07-25-08	S.N.R
F	ECO 111	06-01-09	S.N.R



UNLESS OTHERWISE SPECIFIED DIMENSIONS ARE IN INCHES TOLERANCES ARE:		<b>VALUE PLASTICS, INC</b> R. Narayanan		
FRACTIONS    DECIMAL    ANGULAR ±            .XX ±.01            ± 1° .XXX ±.005 .XXXX ±.001		PART NUMBER: XQCVM755		
DO NOT SCALE DRAWING		DESCRIPTION: Quick Disconnect Straight Through Male Shutoff Style w/ 700 Series Barbs, 1/4" (6.35 mm) ID Tubing		
DRAWN BY: Frank.Lombardi	DATE: 6/1/2009	SIZE: <b>B</b>	SCALE: NTS	DWG. NO. 1010109
NEW PRODUCT DEVELOPMENT MGR: R. Narayanan		2007 VALUE PLASTICS, INC		REV F
			SHEET: 1 OF 1	

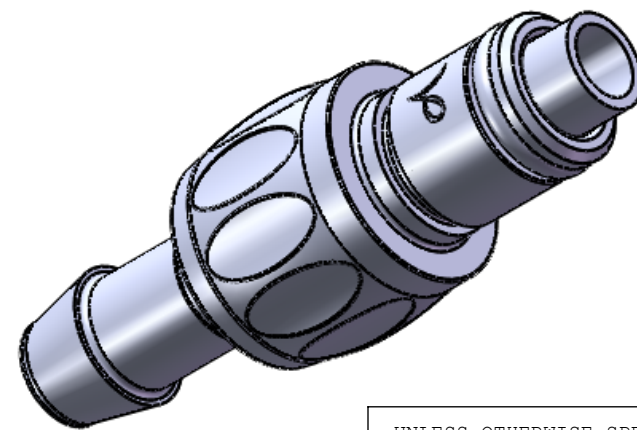
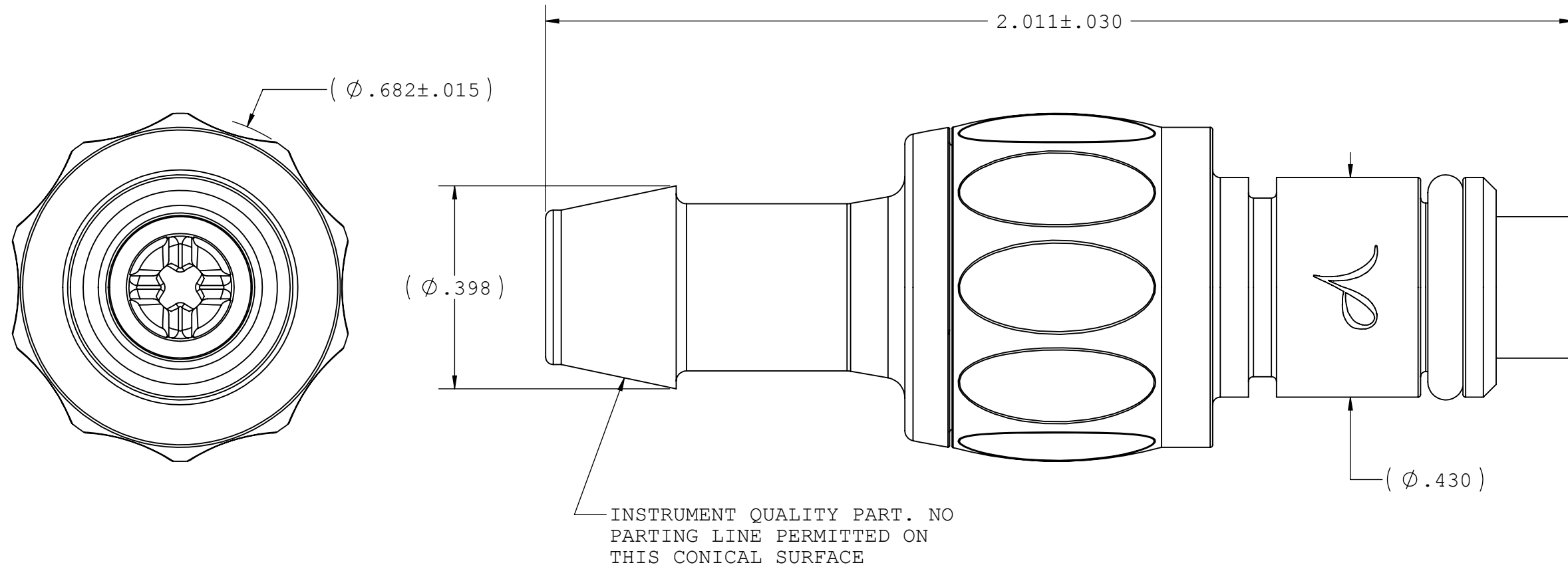


**Arbel Agencies LTD.**  
 11 Ba'alei Hamelacha st. Qiryat Bialik P.O.B 1095, ZIP 2751311, ISRAEL  
 +972(0)48736969    +972(0)48730708    info@arbel-ltd.com    www.arbel-ltd.com

**FOR REFERENCE ONLY**

NOTES: FOR MORE DETAILS SEE YOUR V.P. SERVICE REP.

REVISIONS			
REV.	DESCRIPTION	DATE	APPROVED
A	INITIAL RELEASE	06-01-09	S.N.R



UNLESS OTHERWISE SPECIFIED DIMENSIONS ARE IN INCHES TOLERANCES ARE:		<b>VALUE PLASTICS, INC</b>			
FRACTIONS    DECIMAL    ANGULAR ±            .XX ±.01    ± 1° .XXX ±.005 .XXXX ±.001		PART NUMBER: XQCVM765			
DO NOT SCALE DRAWING		DESCRIPTION: Quick Disconnect Straight Through Male Shutoff Style w/ 700 Series Barbs, 5/16" (7.93 mm) ID Tubing			
DRAWN BY: Frank.Lombardi	DATE: 6/1/2009	SIZE: <b>B</b>	SCALE: NTS	DWG. NO. 1014810	REV A
NEW PRODUCT DEVELOPMENT MGR: Ravi Narayanan		2007 VALUE PLASTICS, INC			SHEET: 1 OF 1

**Arbel Agencies LTD.**

11 Ba'alei Hamelacha st. Qiryat Bialik P.O.B 1095, ZIP 2751311, ISRAEL

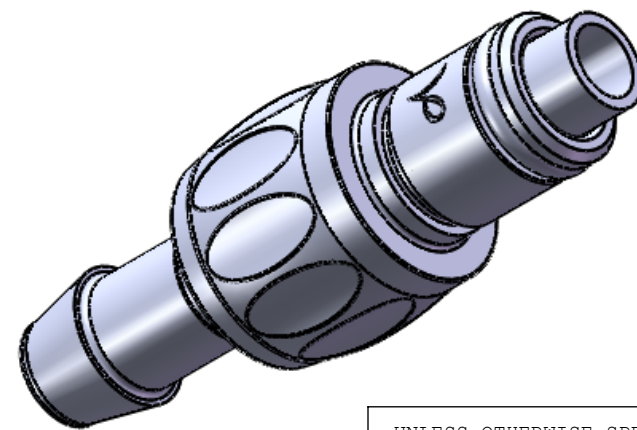
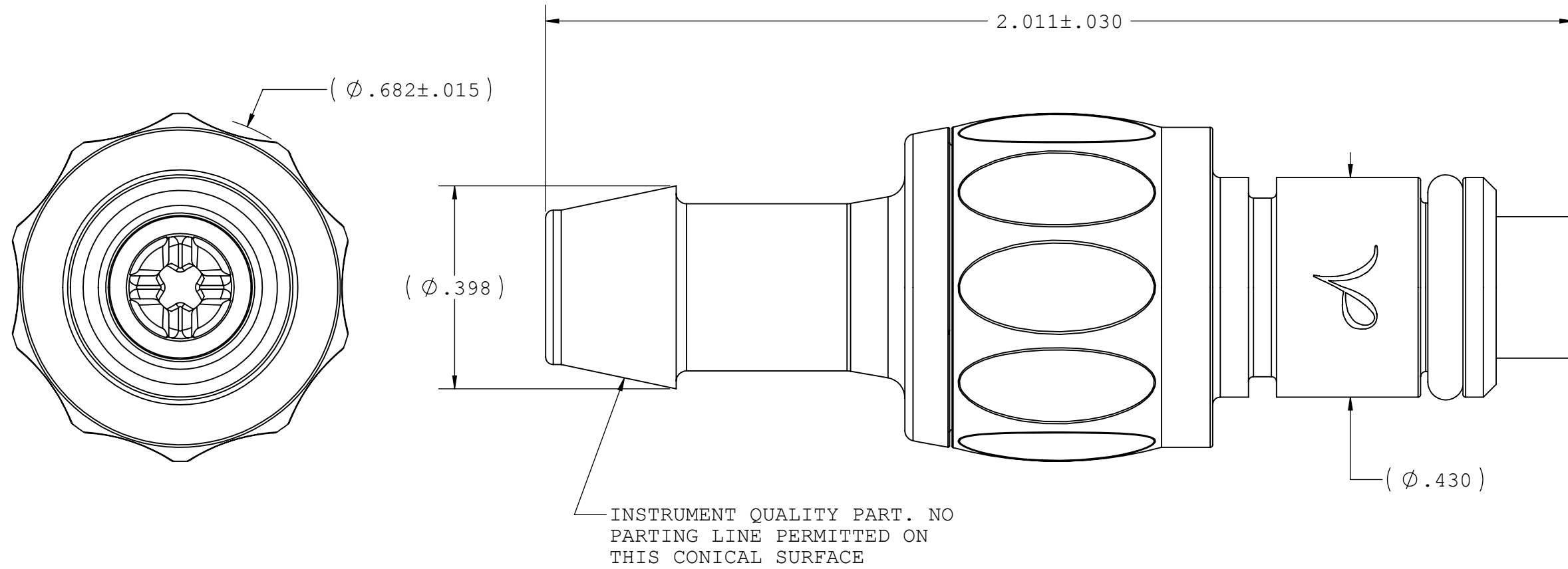
+972(0)48736969 ☎ +972(0)48730708 📠 info@arbel-ltd.com ✉ www.arbel-ltd.com 🌐



**FOR REFERENCE ONLY**

NOTES: FOR MORE DETAILS SEE YOUR V.P. SERVICE REP.

REVISIONS			
REV.	DESCRIPTION	DATE	APPROVED
A	INITIAL RELEASE	06-01-09	S.N.R



UNLESS OTHERWISE SPECIFIED DIMENSIONS ARE IN INCHES TOLERANCES ARE:		<b>VALUE PLASTICS, INC</b>			
FRACTIONS    DECIMAL    ANGULAR ±            .XX ±.01            ± 1° .XXX ±.005 .XXXX ±.001		PART NUMBER: XQCVM765			
DO NOT SCALE DRAWING		DESCRIPTION: Quick Disconnect Straight Through Male Shutoff Style w/ 700 Series Barbs, 5/16" (7.93 mm) ID Tubing			
DRAWN BY: Frank.Lombardi	DATE: 6/1/2009	SIZE: <b>B</b>	SCALE: NTS	DWG. NO. 1014810	REV A
NEW PRODUCT DEVELOPMENT MGR: Ravi Narayanan		2007 VALUE PLASTICS, INC		SHEET: 1 OF 1	

**Arbel Agencies LTD.**

11 Ba'alei Hamelacha st. Qiryat Bialik P.O.B 1095, ZIP 2751311, ISRAEL

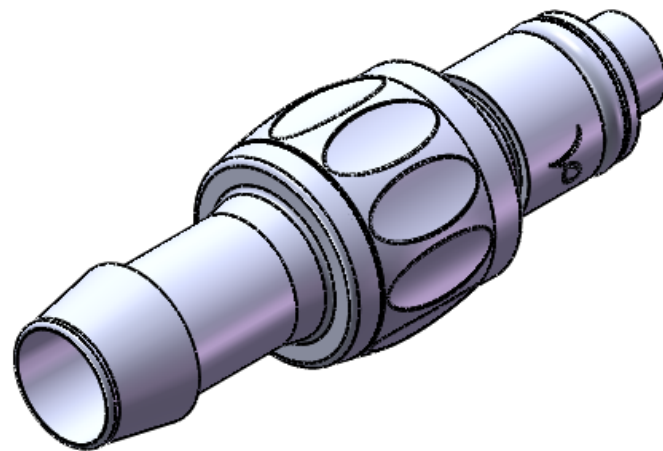
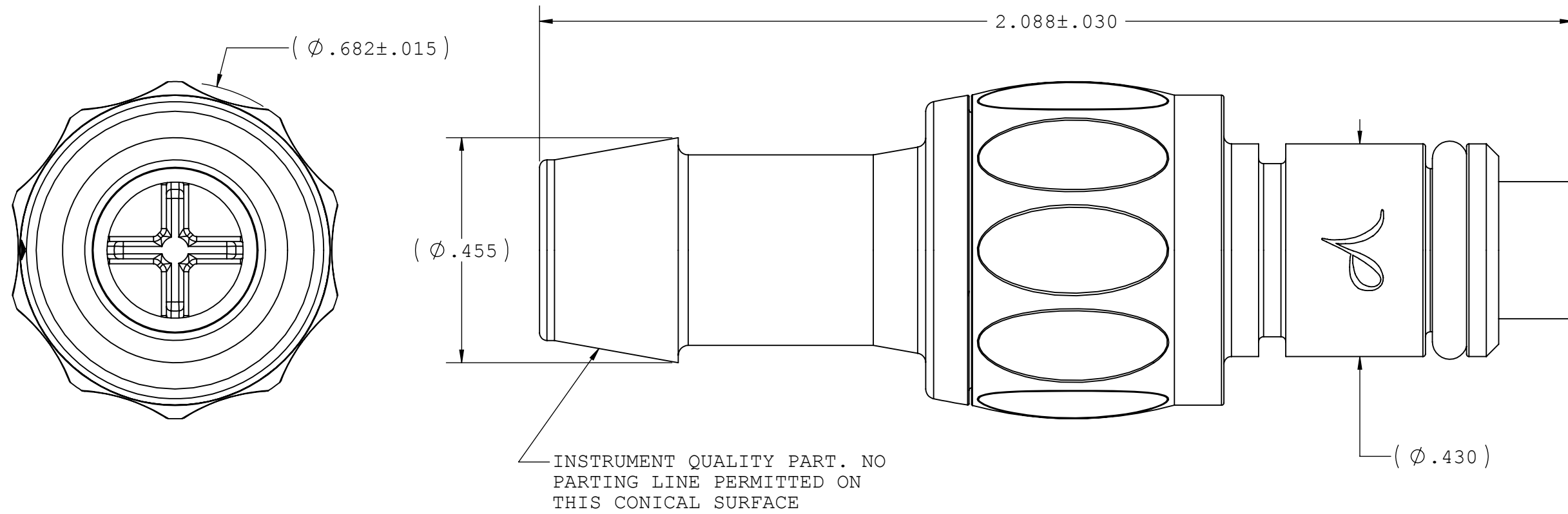
+972(0)48736969    +972(0)48730708    info@arbel-ltd.com    www.arbel-ltd.com



**FOR REFERENCE ONLY**

NOTES: FOR MORE DETAILS SEE YOUR V.P. SERVICE REP.

REVISIONS			
REV.	DESCRIPTION	DATE	APPROVED
C	PRODUCTION RELEASE	06-01-07	S.N.R
D	ECO063 ADDED POLYPROPYLENE (-6006) MATERIAL	10-19-07	S.N.R
E	ECO080	06-04-08	S.N.R
F	ECO 093	11-5-08	S.N.R
G	ECO 111	06-01-09	S.N.R



**Arbel Agencies LTD.**

11 Ba'alei Hamelacha st. Qiryat Bialik P.O.B 1095, ZIP 2751311, ISRAEL

+972(0)48736969 ☎ +972(0)48730708 📠 info@arbel-ltd.com ✉ www.arbel-ltd.com 🌐

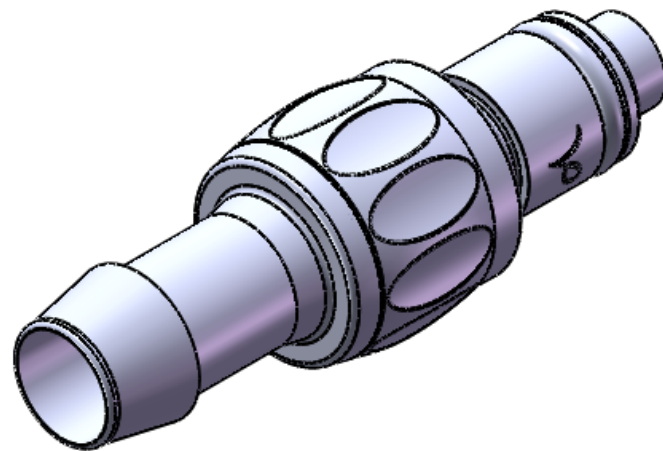
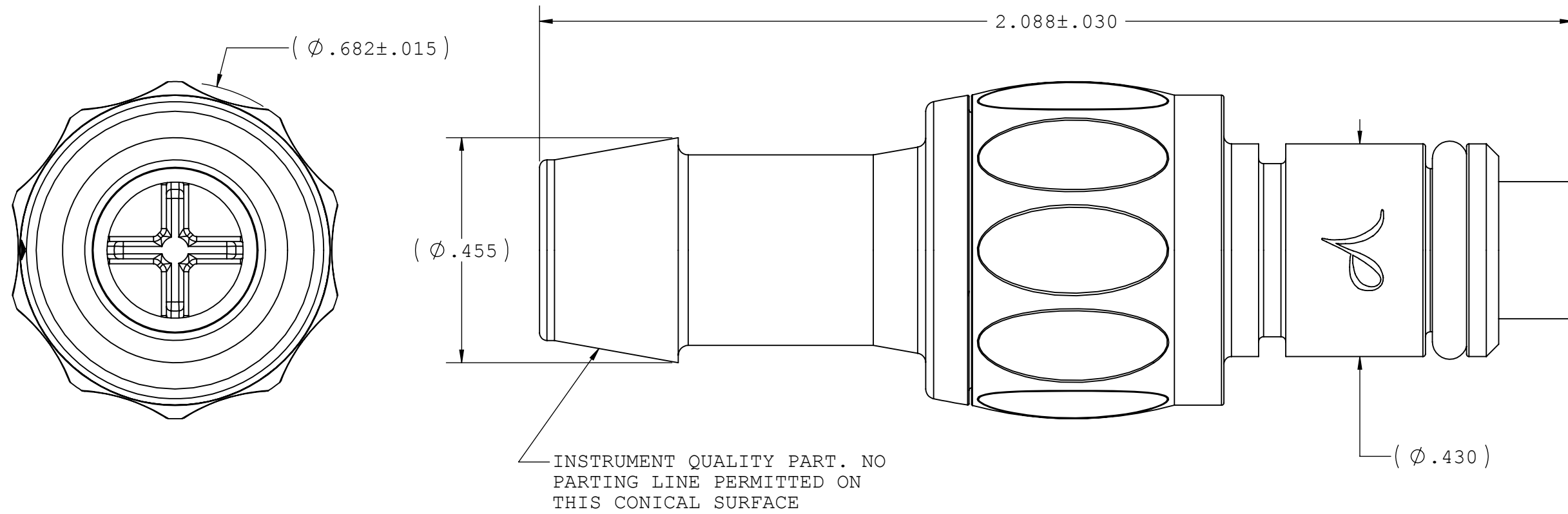


UNLESS OTHERWISE SPECIFIED DIMENSIONS ARE IN INCHES TOLERANCES ARE:		<b>VALUE PLASTICS, INC</b>		
FRACTIONS    DECIMAL    ANGULAR ±            .XX ±.01            ± 1° .XXX ±.005 .XXXX ±.001		PART NUMBER: XQCV770		
DO NOT SCALE DRAWING		DESCRIPTION: XQC Series Male Valved Connector, 700 Series Barb, 3/8" (9.5 mm) ID Tubing		
DRAWN BY: Frank.Lombardi	DATE: 6/1/2009	SIZE: <b>B</b>	SCALE: NTS	DWG. NO. 1010108
NEW PRODUCT DEVELOPMENT MGR: R. Narayanan		2007 VALUE PLASTICS, INC		REV G
				SHEET: 1 OF 1

**FOR REFERENCE ONLY**

NOTES: FOR MORE DETAILS SEE YOUR V.P. SERVICE REP.

REVISIONS			
REV.	DESCRIPTION	DATE	APPROVED
C	PRODUCTION RELEASE	06-01-07	S.N.R
D	ECO063 ADDED POLYPROPYLENE (-6006) MATERIAL	10-19-07	S.N.R
E	ECO080	06-04-08	S.N.R
F	ECO 093	11-5-08	S.N.R
G	ECO 111	06-01-09	S.N.R



**Arbel Agencies LTD.**

11 Ba'alei Hamelacha st. Qiryat Bialik P.O.B 1095, ZIP 2751311, ISRAEL

+972(0)48736969 ☎ +972(0)48730708 📠 info@arbel-ltd.com ✉ www.arbel-ltd.com 🌐

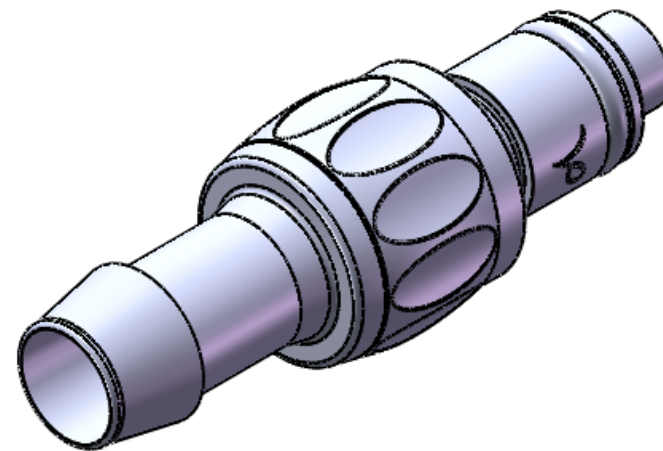
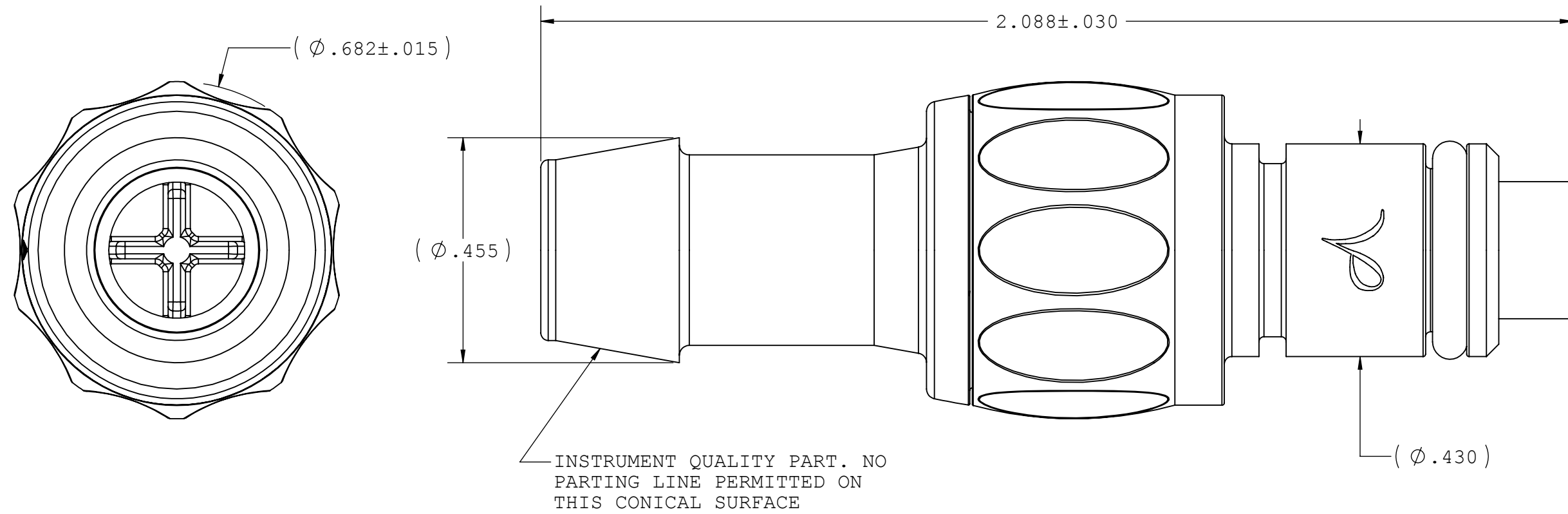


UNLESS OTHERWISE SPECIFIED DIMENSIONS ARE IN INCHES TOLERANCES ARE:		<b>VALUE PLASTICS, INC</b>			
FRACTIONS    DECIMAL    ANGULAR ±            .XX ±.01            ± 1° .XXX ±.005 .XXXX ±.001		PART NUMBER: XQCV770			
DO NOT SCALE DRAWING		DESCRIPTION: XQC Series Male Valved Connector, 700 Series Barb, 3/8" (9.5 mm) ID Tubing			
DRAWN BY: Frank.Lombardi	DATE: 6/1/2009	SIZE: <b>B</b>	SCALE: NTS	DWG. NO. 1010108	REV G
NEW PRODUCT DEVELOPMENT MGR: R. Narayanan		2007 VALUE PLASTICS, INC			SHEET: 1 OF 1

**FOR REFERENCE ONLY**

NOTES: FOR MORE DETAILS SEE YOUR V.P. SERVICE REP.

REVISIONS			
REV.	DESCRIPTION	DATE	APPROVED
C	PRODUCTION RELEASE	06-01-07	S.N.R
D	ECO063 ADDED POLYPROPYLENE (-6006) MATERIAL	10-19-07	S.N.R
E	ECO080	06-04-08	S.N.R
F	ECO 093	11-5-08	S.N.R
G	ECO 111	06-01-09	S.N.R



**Arbel Agencies LTD.**

11 Ba'alei Hamelacha st. Qiryat Bialik P.O.B 1095, ZIP 2751311, ISRAEL

+972(0)48736969 ☎ +972(0)48730708 📠 info@arbel-ltd.com ✉ www.arbel-ltd.com 🌐



UNLESS OTHERWISE SPECIFIED DIMENSIONS ARE IN INCHES TOLERANCES ARE:		<b>VALUE PLASTICS, INC</b>		
FRACTIONS    DECIMAL    ANGULAR ±            .XX ±.01            ± 1° .XXX ±.005 .XXXX ±.001		PART NUMBER: XQCV770		
DO NOT SCALE DRAWING		DESCRIPTION: XQC Series Male Valved Connector, 700 Series Barb, 3/8" (9.5 mm) ID Tubing		
DRAWN BY: Frank.Lombardi	DATE: 6/1/2009	SIZE: <b>B</b>	SCALE: NTS	DWG. NO. 1010108
NEW PRODUCT DEVELOPMENT MGR: R. Narayanan		2007 VALUE PLASTICS, INC		REV G
			SHEET: 1 OF 1	

**FOR REFERENCE ONLY**