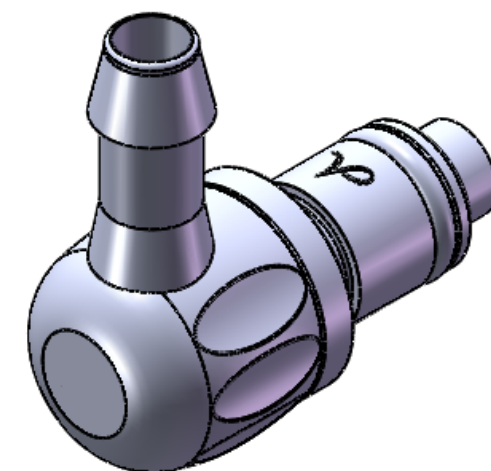
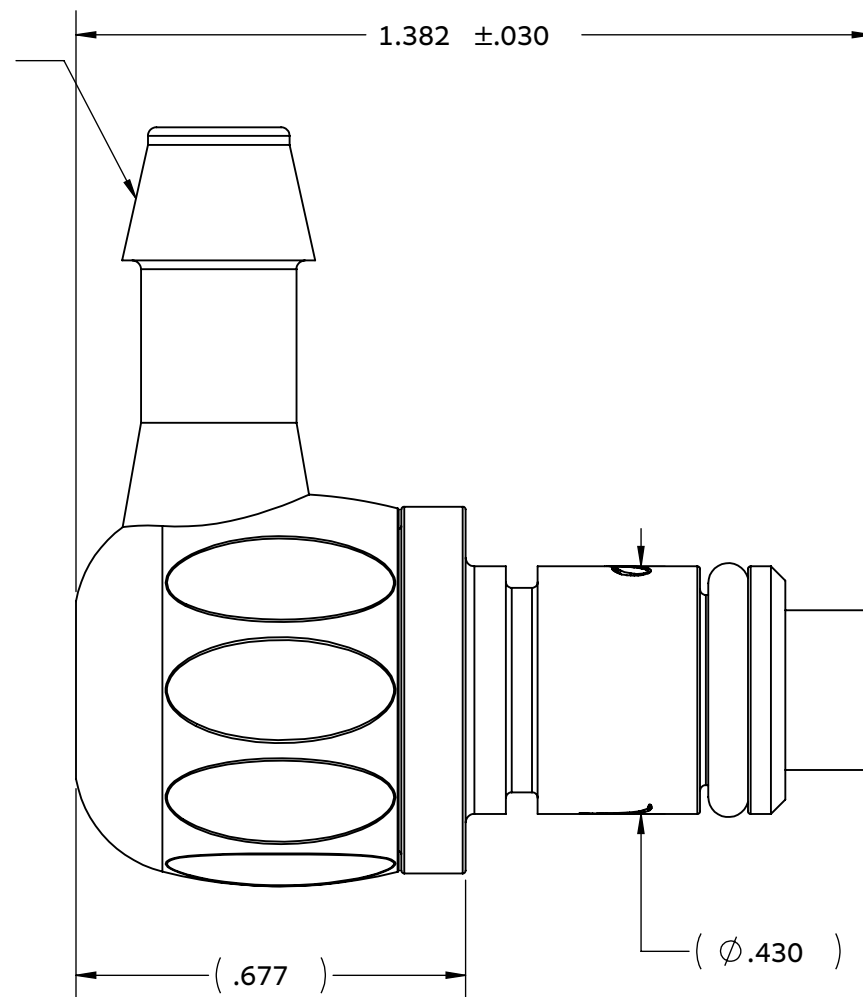
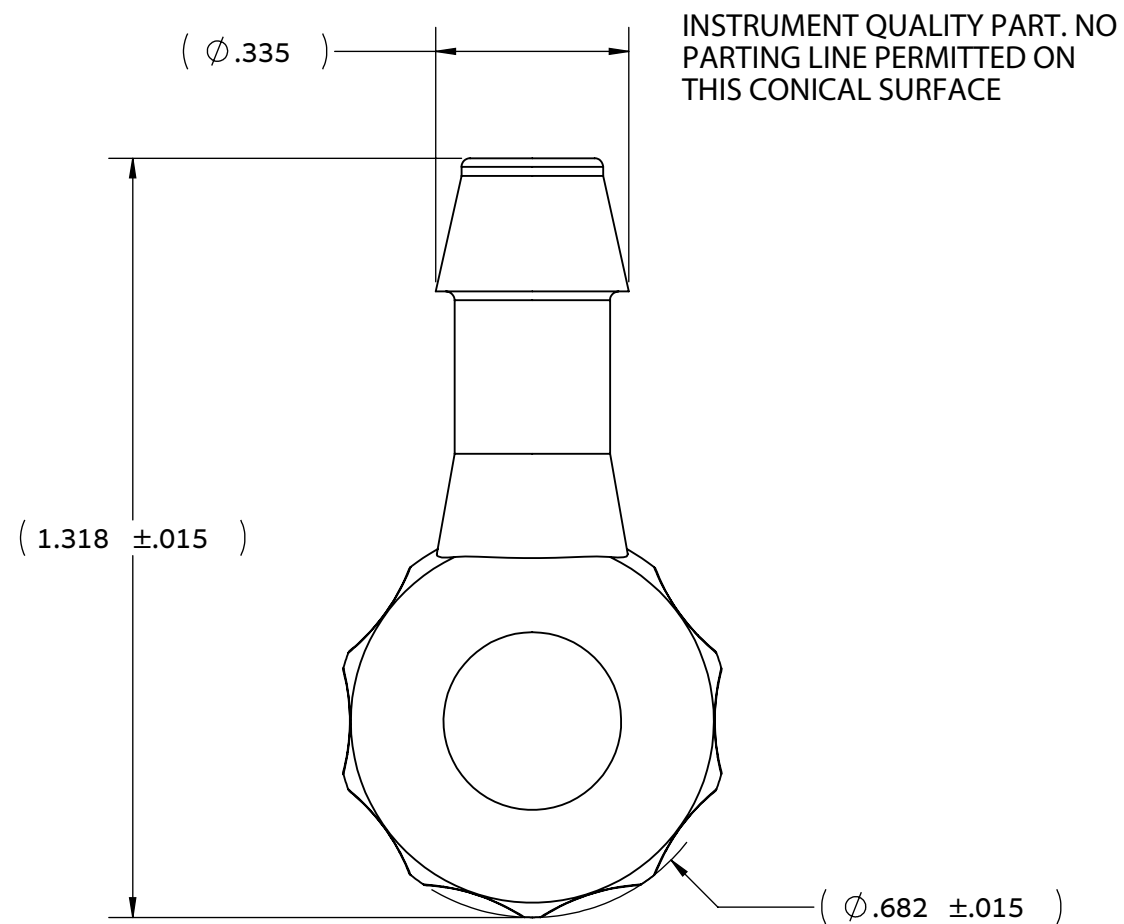


NOTES: FOR MORE DETAILS SEE YOUR V.P. SERVICE REP.

REVISIONS			
REV.	DESCRIPTION	DATE	APPROVED
A	INITIAL RELEASE	07-08-09	S.N.R



UNLESS OTHERWISE SPECIFIED DIMENSIONS ARE IN INCHES TOLERANCES ARE: FRACTIONS DECIMAL ANGULAR ± .XX ±.01 ± 1° ± .XXX ±.005 ± .XXXX ±.001 DO NOT SCALE DRAWING		VALUE PLASTICS, INC			
DRAWN BY: Frank.Lombardi		DATE: 7/8/2009		PART NUMBER: XQCVLM755	
NEW PRODUCT DEVELOPMENT MGR: Ravi Narayanan		SIZE: B	SCALE: NTS	DWG. NO. 1010826	REV A
2007 VALUE PLASTICS, INC				DESCRIPTION: Quick Disconnect Elbow Male Shutoff Style w/ 700 Series Barbs, 1/4" (6.35 mm) ID Tubing	
SHEET: 1 OF 1					

Arbel Agencies LTD.

11 Ba'alei Hamelacha st. Qiryat Bialik P.O.B 1095, ZIP 2751311, ISRAEL

+972(0)48736969 ☎ +972(0)48730708 📠 info@arbel-ltd.com ✉ www.arbel-ltd.com 🌐



FOR REFERENCE ONLY