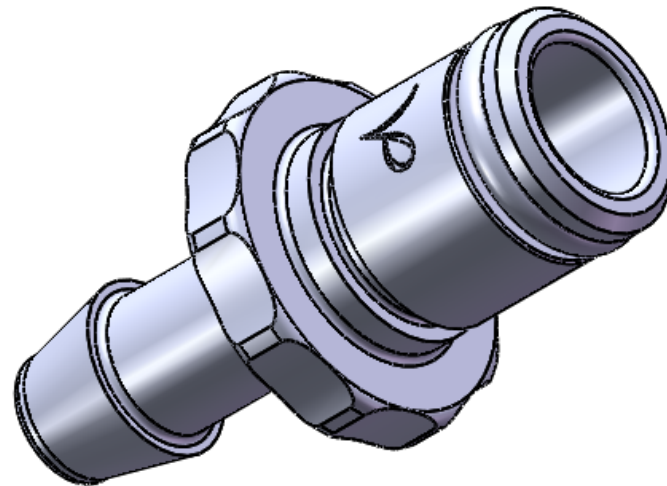
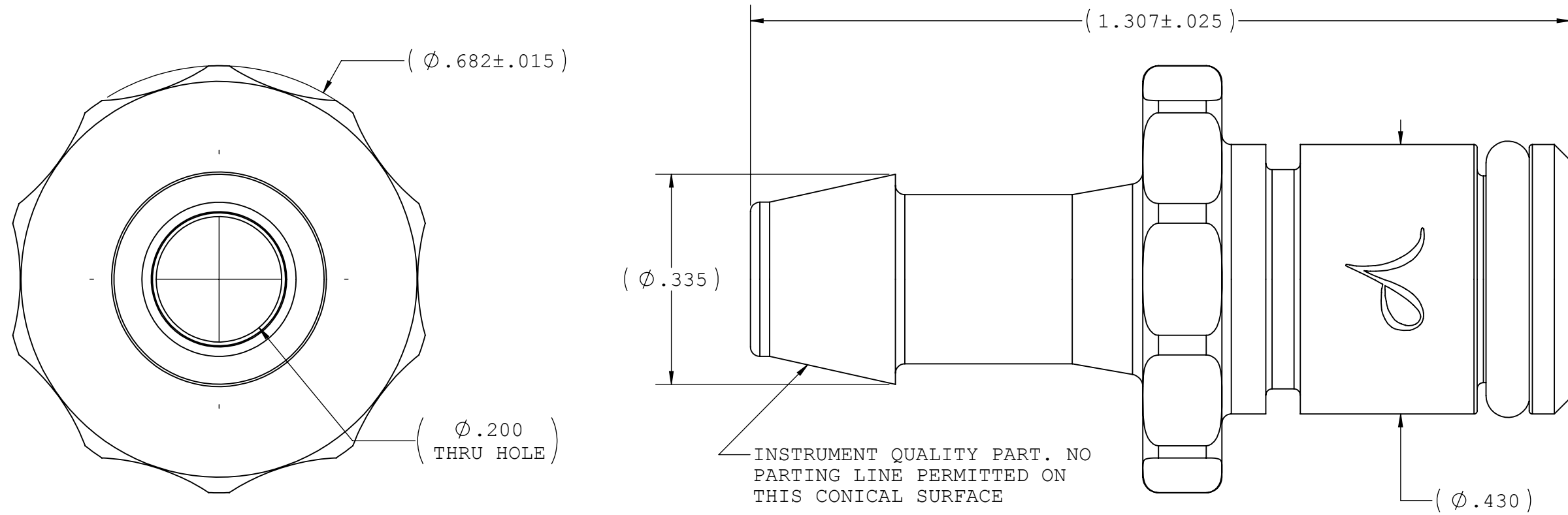


NOTES: FOR MORE DETAILS SEE YOUR V.P. SERVICE REP.

REVISIONS			
REV.	DESCRIPTION	DATE	APPROVED
A	INITIAL RELEASE	06-11-08	S.N.R
B	ECO 125	05-19-09	S.N.R



**Arbel Agencies LTD.**

11 Ba'alei Hamelacha st. Qiryat Bialik P.O.B 1095, ZIP 2751311, ISRAEL

+972(0)48736969 ☎ +972(0)48730708 📠 info@arbel-ltd.com ✉ www.arbel-ltd.com 🌐

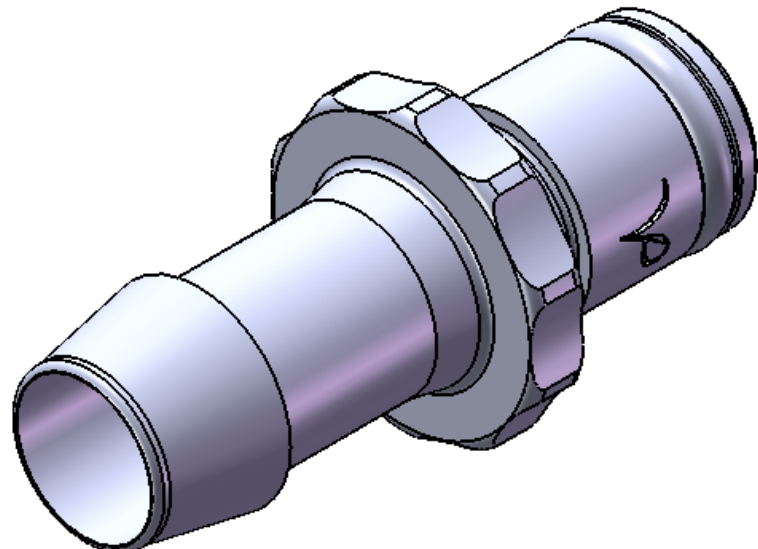
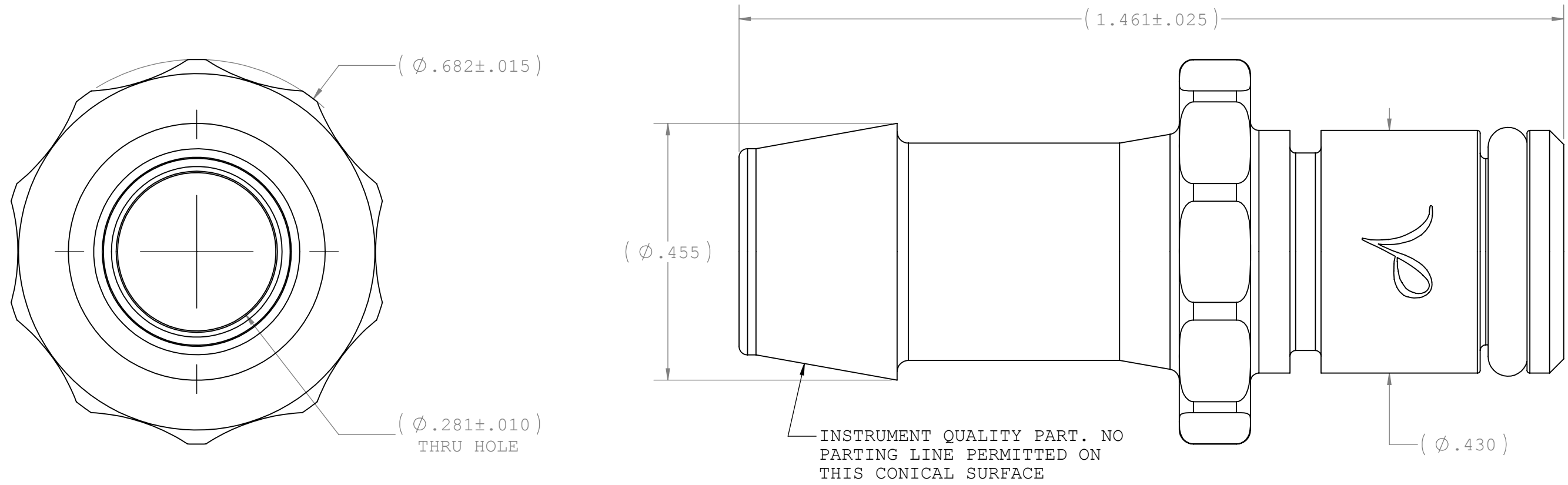


UNLESS OTHERWISE SPECIFIED DIMENSIONS ARE IN INCHES TOLERANCES ARE:		<b>VALUE PLASTICS, INC</b>			
FRACTIONS    DECIMAL    ANGULAR ±            .XX ±.01            ± 1° .XXX ±.005 .XXXX ±.001		PART NUMBER: XQCM755			
DO NOT SCALE DRAWING		DESCRIPTION: XQC Series Male Open Flow Connector, 700 Series Barb, 1/4" (6.4 mm) ID Tubing			
DRAWN BY: Frank.Lombardi	DATE: 5/19/2009	SIZE: <b>B</b>	SCALE: NTS	DWG. NO. 1010111	REV B
NEW PRODUCT DEVELOPMENT MGR: R. Narayanan		2007 VALUE PLASTICS, INC			SHEET: 1 OF 1

**FOR REFERENCE ONLY**

NOTES: FOR MORE DETAILS SEE YOUR V.P. SERVICE REP.

REVISIONS			
REV.		DATE	APPROVED
A	INITIAL RELEASE	06-11-08	S.N.R



UNLESS OTHERWISE SPECIFIED DIMENSIONS ARE IN INCHES TOLERANCES ARE:		<b>VALUE PLASTICS, INC</b>			
FRACTIONS    DECIMAL    ANGULAR ±            .XX ±.01            ± 1° .XXX ±.005 .XXXX ±.001		PART NUMBER: XQCM770			
DO NOT SCALE DRAWING		DESCRIPTION: XQC Series Male Open Flow Connector, 700 Series Barb, 3/8" (9.5 mm) ID Tubing			
DRAWN BY: Frank.Lombardi	DATE: 6/11/2008	SIZE: <b>B</b>	SCALE: NTS	DWG. NO. 1010110	REV A
NEW PRODUCT DEVELOPMENT MGR: R. Narayanan		2007 VALUE PLASTICS, INC			SHEET: 1 OF 1

**Arbel Agencies LTD.**

11 Ba'alei Hamelacha st. Qiryat Bialik P.O.B 1095, ZIP 2751311, ISRAEL

+972(0)48736969    +972(0)48730708    info@arbel-ltd.com    www.arbel-ltd.com



**FOR REFERENCE ONLY**