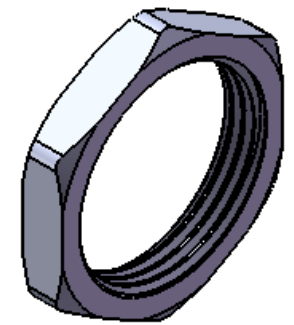
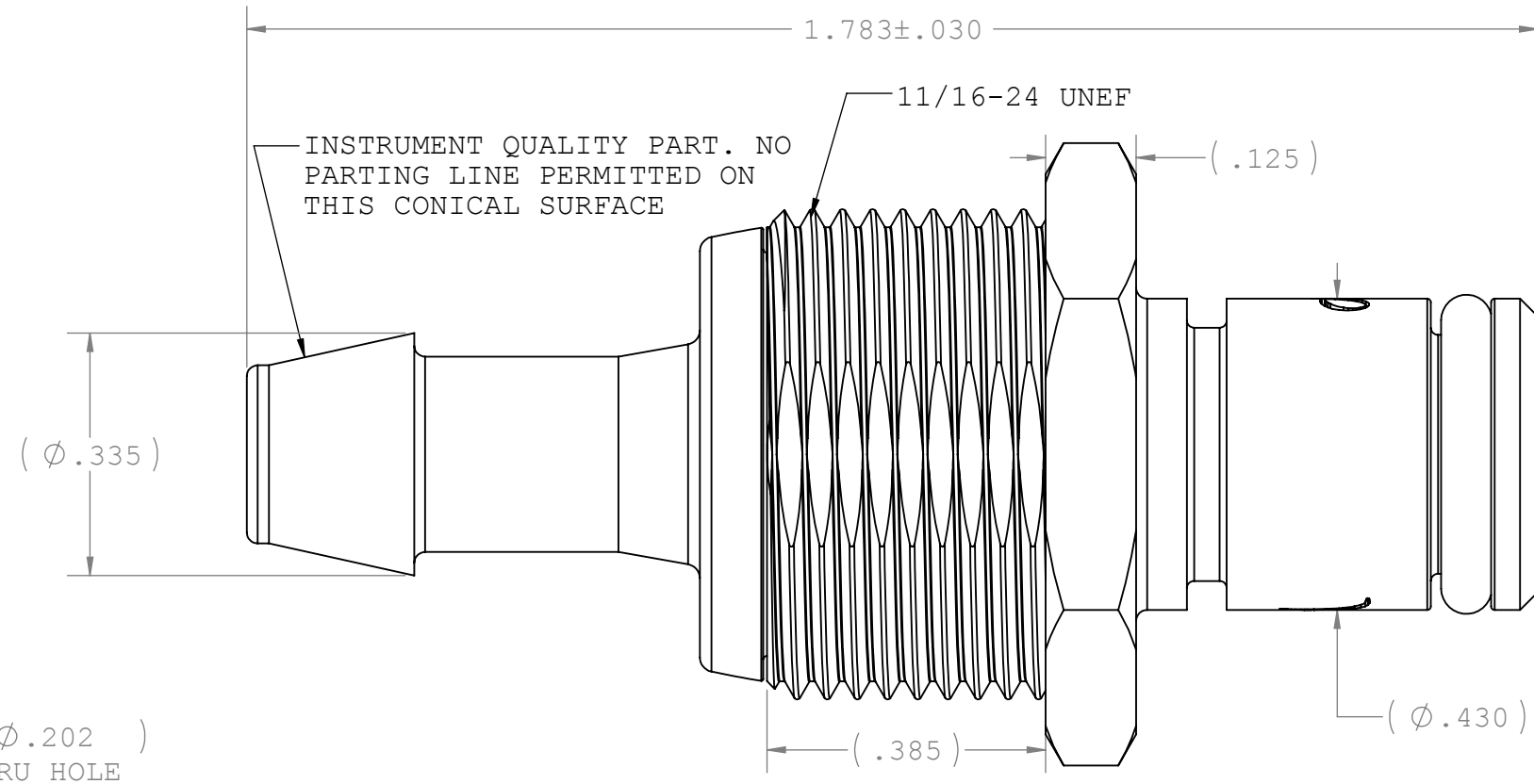
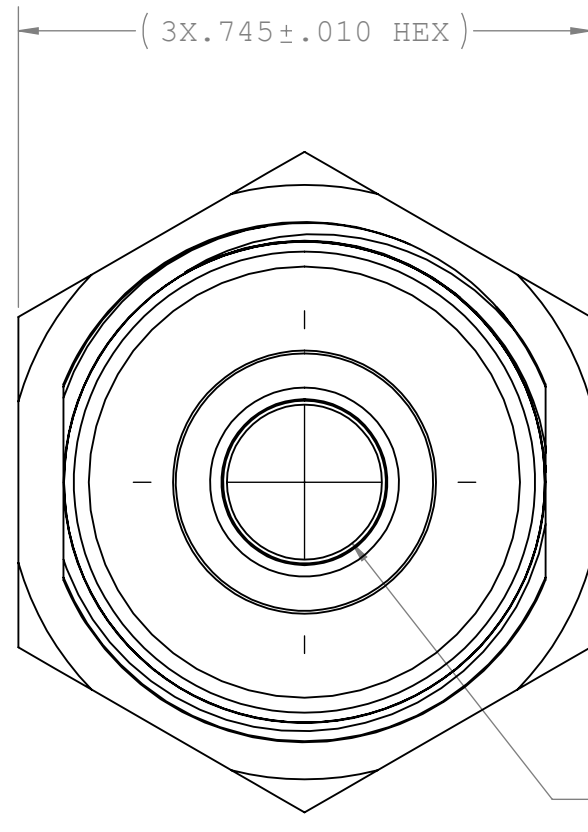
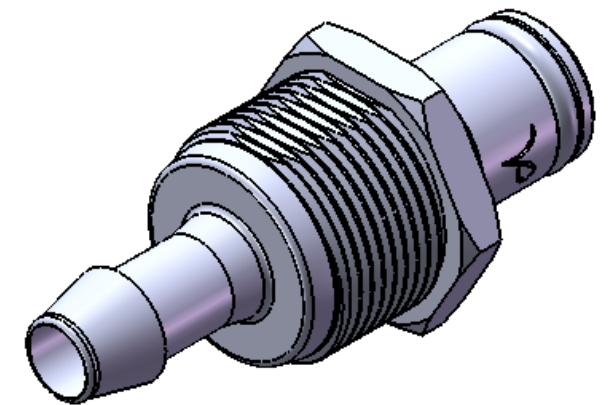


NOTES: FOR MORE DETAILS SEE YOUR V.P. SERVICE REP.

REVISIONS			
REV.		DATE	APPROVED
A	INITIAL RELEASE	06-16-08	S.N.R



FOR USE W/ PM4N



Arbel Agencies LTD.

11 Ba'alei Hamelacha st. Qiryat Bialik P.O.B 1095, ZIP 2751311, ISRAEL

+972(0)48736969 ☎ +972(0)48730708 📠 info@arbel-ltd.com ✉ www.arbel-ltd.com 🌐

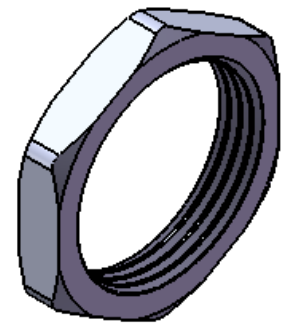
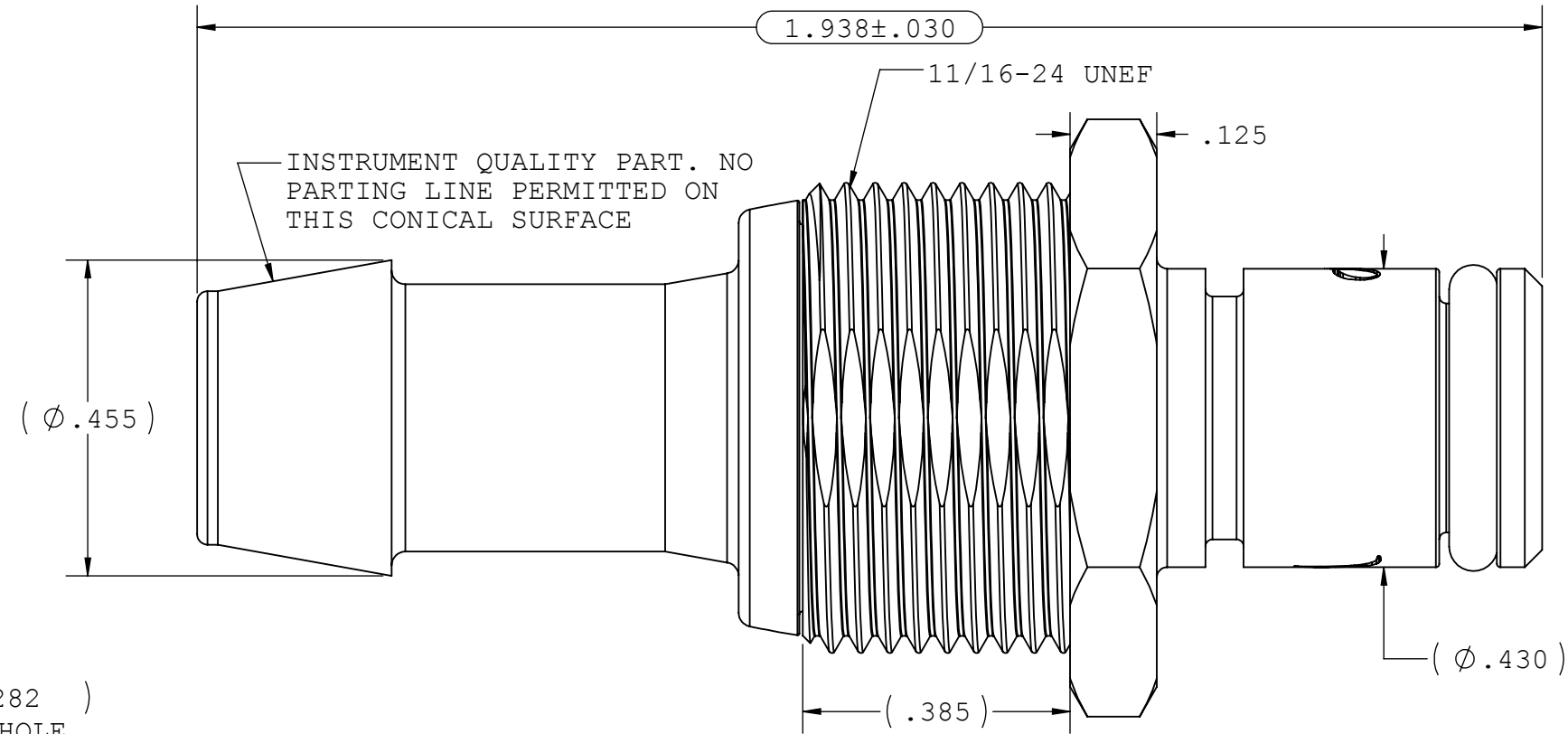
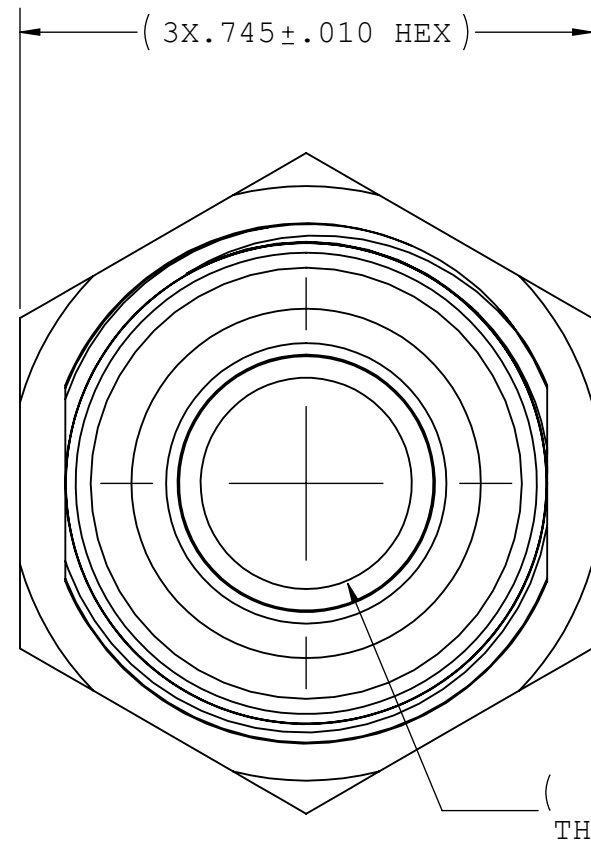


UNLESS OTHERWISE SPECIFIED DIMENSIONS ARE IN INCHES TOLERANCES ARE:		VALUE PLASTICS, INC			
FRACTIONS DECIMAL ANGULAR ± .XX ±.01 ± 1° .XXX ±.005 .XXXX ±.001		PART NUMBER: XQCBM755			
DO NOT SCALE DRAWING		DESCRIPTION: XQC Series Male Open Flow Panel Mount Connector, 700 Series Barb, 1/4" (6.4 mm) ID Tubing			
DRAWN BY: Frank.Lombardi	DATE: 6/20/2008	SIZE: B	SCALE: NTS	DWG. NO. 1011394	REV A
NEW PRODUCT DEVELOPMENT MGR: R. Narayanan		2007 VALUE PLASTICS, INC		SHEET: 1 OF 1	

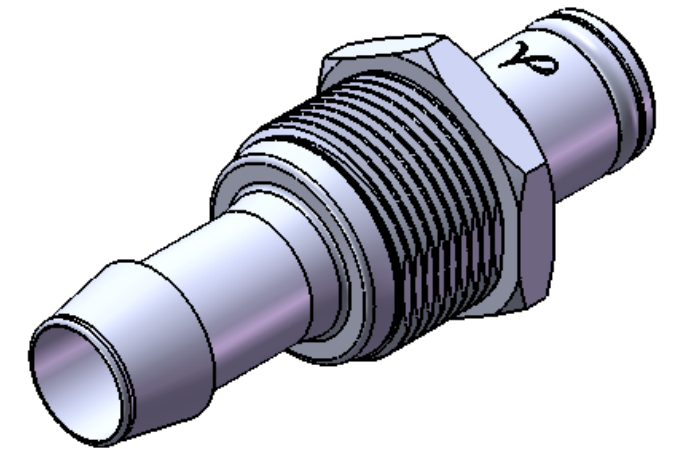
FOR REFERENCE ONLY

NOTES: FOR MORE DETAILS SEE YOUR V.P. SERVICE REP.

REVISIONS		
REV.	DATE	APPROVED
A	06-03-08	S.N.R



FOR USE W/ PM4N



UNLESS OTHERWISE SPECIFIED DIMENSIONS ARE IN INCHES TOLERANCES ARE:		VALUE PLASTICS, INC		
FRACTIONS DECIMAL ANGULAR ± .XX ±.01 ± 1° .XXX ±.005 .XXXX ±.001		PART NUMBER: XQCBM770		
DO NOT SCALE DRAWING		DESCRIPTION: XQC Series Male Open Flow Panel Mount Connector, 700 Series Barb, 3/8" (9.5 mm) ID Tubing		
DRAWN BY: Frank.Lombardi	DATE: 1/5/2009	SIZE: B	SCALE: NTS	DWG. NO. 1011392
NEW PRODUCT DEVELOPMENT MGR: R. Narayanan		2007 VALUE PLASTICS, INC		REV A
			SHEET:	1 OF 1

Arbel Agencies LTD.

11 Ba'alei Hamelacha st. Qiryat Bialik P.O.B 1095, ZIP 2751311, ISRAEL

+972(0)48736969 ☎ +972(0)48730708 📠 info@arbel-ltd.com ✉ www.arbel-ltd.com 🌐



FOR REFERENCE ONLY