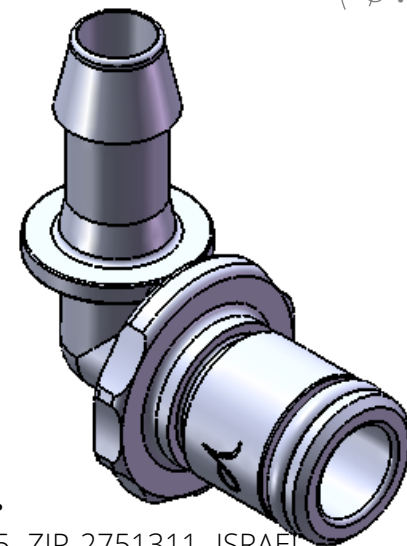
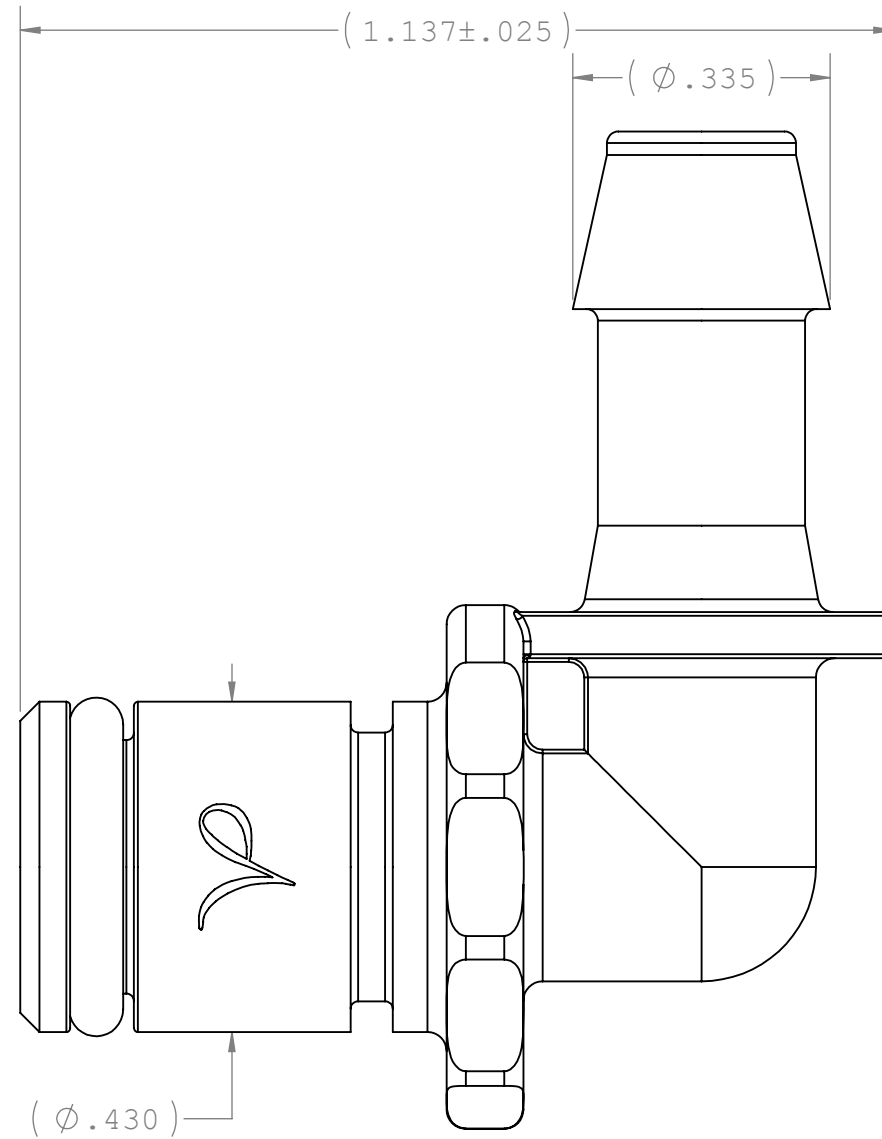
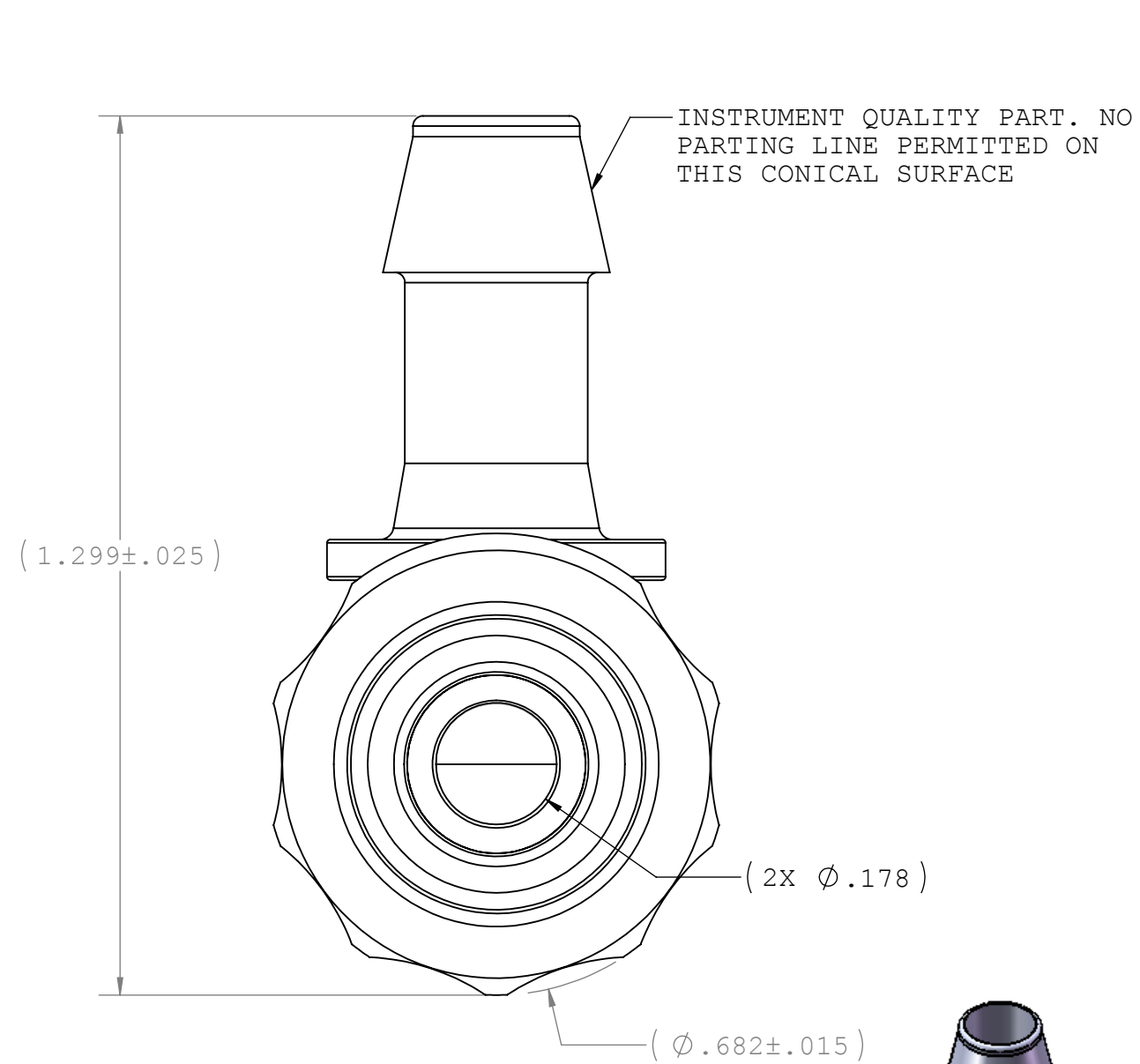


NOTES: FOR MORE DETAILS SEE YOUR V.P. SERVICE REP.

REVISIONS			
REV.		DATE	APPROVED
A	INITIAL RELEASE	06-11-08	S.N.R



UNLESS OTHERWISE SPECIFIED DIMENSIONS ARE IN INCHES TOLERANCES ARE:		VALUE PLASTICS, INC			
FRACTIONS DECIMAL ANGULAR ± .XX ±.01 ± 1° .XXX ±.005 .XXXX ±.001		PART NUMBER: XQCLM755			
DO NOT SCALE DRAWING		DESCRIPTION: XQC Series Male Open Flow Elbow Connector, 700 Series Barb, 1/4" (6.4 mm) ID Tubing			
DRAWN BY: Frank.Lombardi	DATE: 6/12/2008	SIZE: B	SCALE: NTS	DWG. NO. 1010828	REV A
NEW PRODUCT DEVELOPMENT MGR: R. Narayanan		2007 VALUE PLASTICS, INC		SHEET: 1 OF 1	

Arbel Agencies LTD.

11 Ba'alei Hamelacha st. Qiryat Bialik P.O.B 1095, ZIP 2751311, ISRAEL

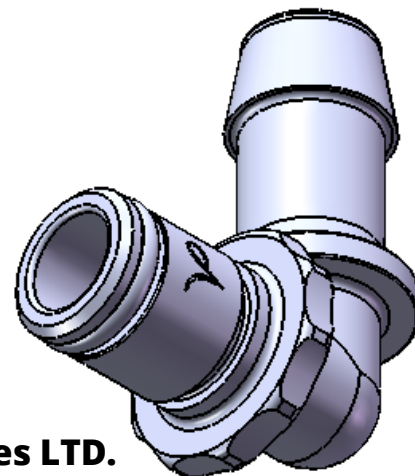
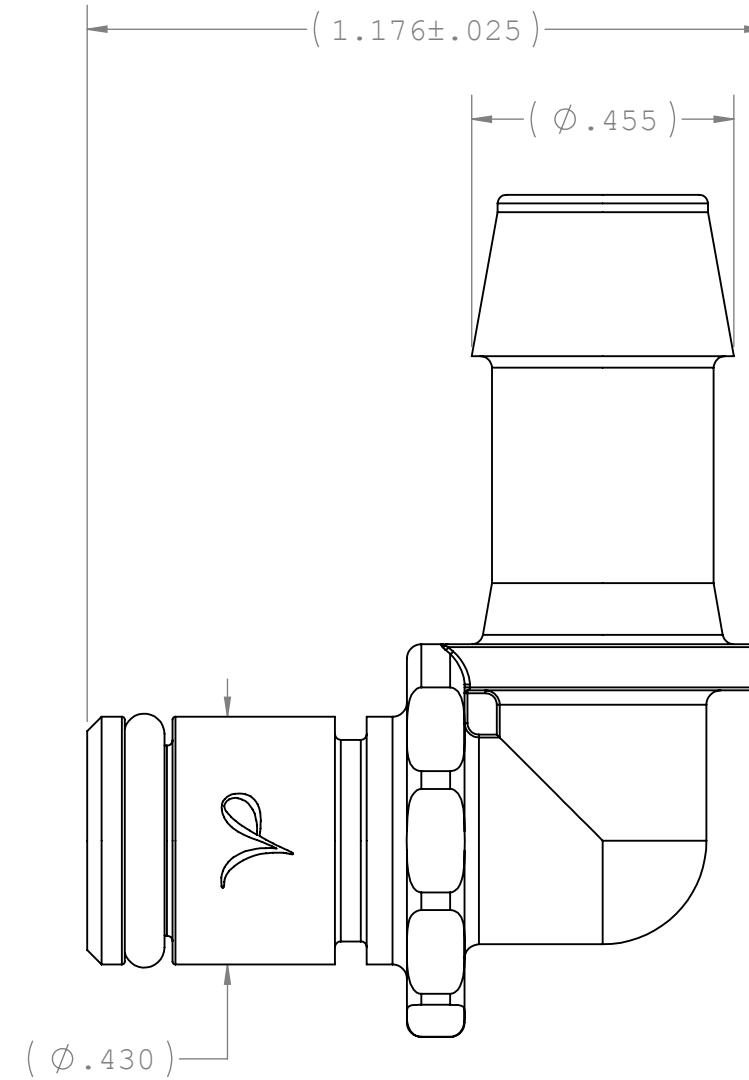
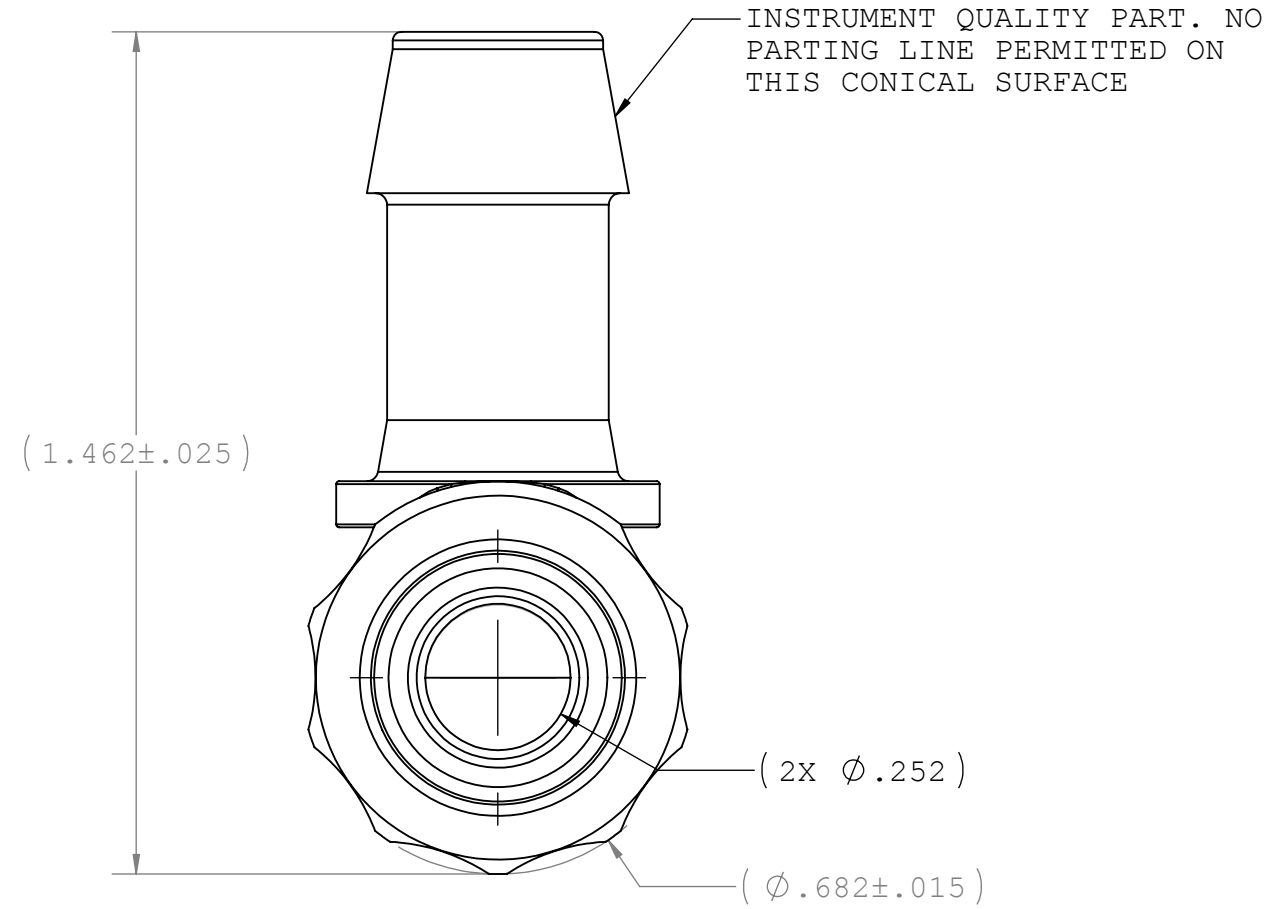
+972(0)48736969 +972(0)48730708 info@arbel-ltd.com www.arbel-ltd.com



FOR REFERENCE ONLY

NOTES: FOR MORE DETAILS SEE YOUR V.P. SERVICE REP.

REVISIONS			
REV.		DATE	APPROVED
A	INITIAL RELEASE	06-11-08	S.N.R



UNLESS OTHERWISE SPECIFIED DIMENSIONS ARE IN INCHES TOLERANCES ARE:		VALUE PLASTICS, INC			
FRACTIONS DECIMAL ANGULAR ± .XX ±.01 ± 1° .XXX ±.005 .XXXX ±.001 DO NOT SCALE DRAWING		PART NUMBER: XQCLM770			
		DESCRIPTION: XQC Series Male Open Flow Elbow Connector, 700 Series Barb, 3/8" (9.5 mm) ID Tubing			
DRAWN BY: Frank.Lombardi	DATE: 6/12/2008	SIZE: B	SCALE: NTS	DWG. NO. 1010827	REV A
NEW PRODUCT DEVELOPMENT MGR: R. Narayanan		2007 VALUE PLASTICS, INC		SHEET: 1 OF 1	

Arbel Agencies LTD.

11 Ba'alei Hamelacha st. Qiryat Bialik P.O.B 1095, ZIP 2751311, ISRAEL

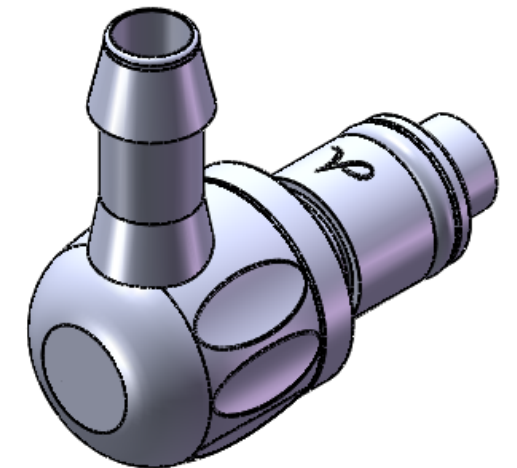
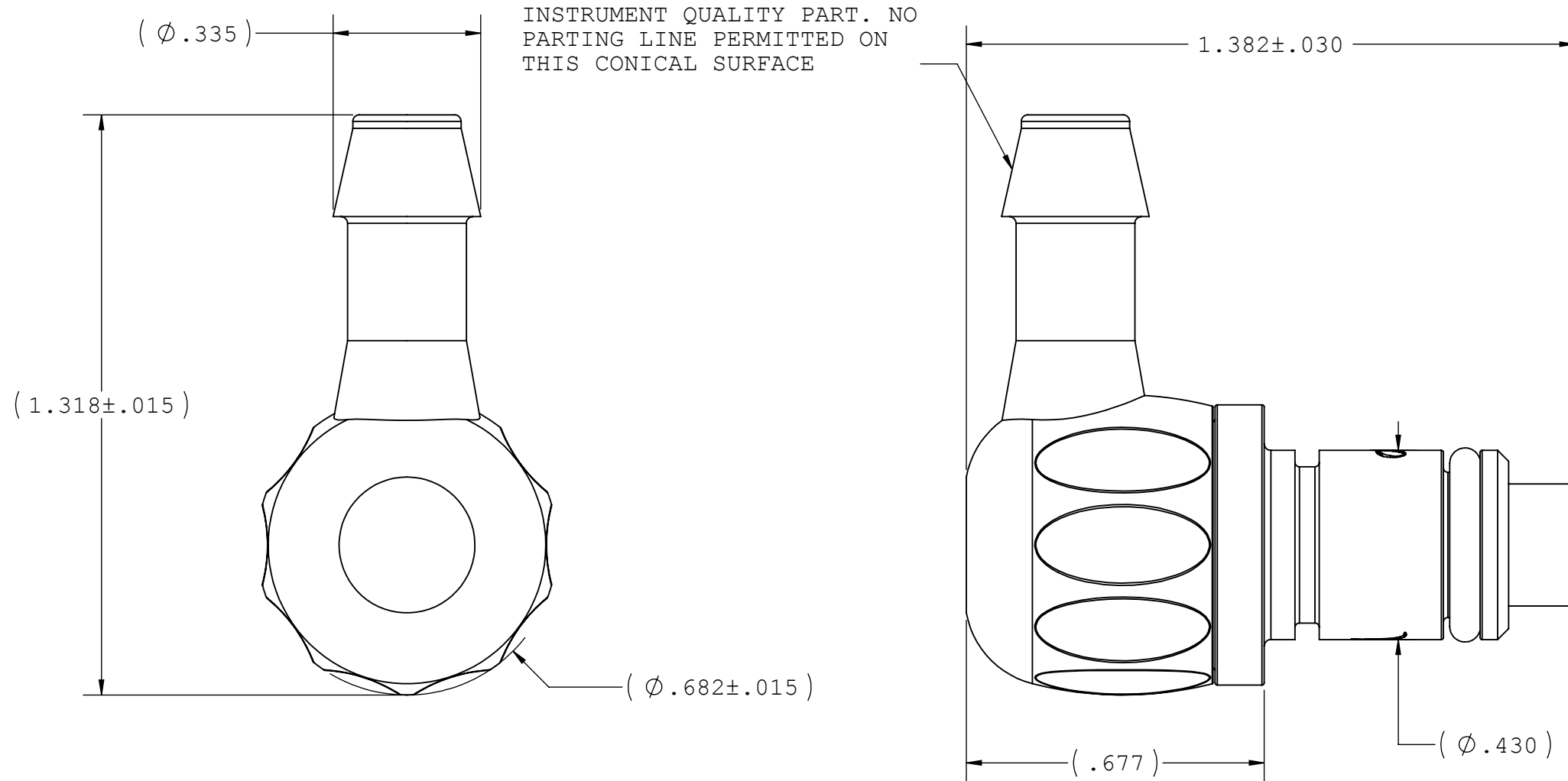
+972(0)48736969 +972(0)48730708 info@arbel-ltd.com www.arbel-ltd.com



FOR REFERENCE ONLY

NOTES: FOR MORE DETAILS SEE YOUR V.P. SERVICE REP.

REVISIONS			
REV.	DESCRIPTION	DATE	APPROVED
A	INITIAL RELEASE	07-08-09	S.N.R



UNLESS OTHERWISE SPECIFIED DIMENSIONS ARE IN INCHES TOLERANCES ARE:		VALUE PLASTICS, INC			
FRACTIONS	DECIMAL				
± .XX	± .01	± 1°	DESCRIPTION:	Quick Disconnect Elbow Male Shutoff Style w/ 700 Series Barbs, 1/4" (6.35 mm) ID Tubing	
± .XXX	± .005		SIZE:	B	
± .XXXX	± .001		SCALE:	NTS	
DO NOT SCALE DRAWING			DWG. NO.:	1010826	
DRAWN BY:	DATE:	REV:	SHEET: 1 OF 1		
Frank.Lombardi	7/8/2009	A	2007 VALUE PLASTICS, INC		
NEW PRODUCT DEVELOPMENT MGR:		Ravi Narayanan			

Arbel Agencies LTD.

11 Ba'alei Hamelacha st. Qiryat Bialik P.O.B 1095, ZIP 2751311, ISRAEL

+972(0)48736969 ☎ +972(0)48730708 📠 info@arbel-ltd.com ✉ www.arbel-ltd.com 🌐



FOR REFERENCE ONLY