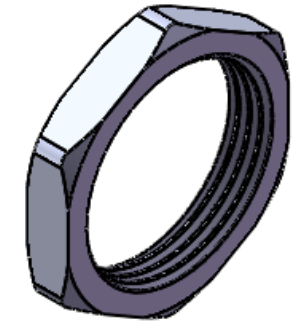
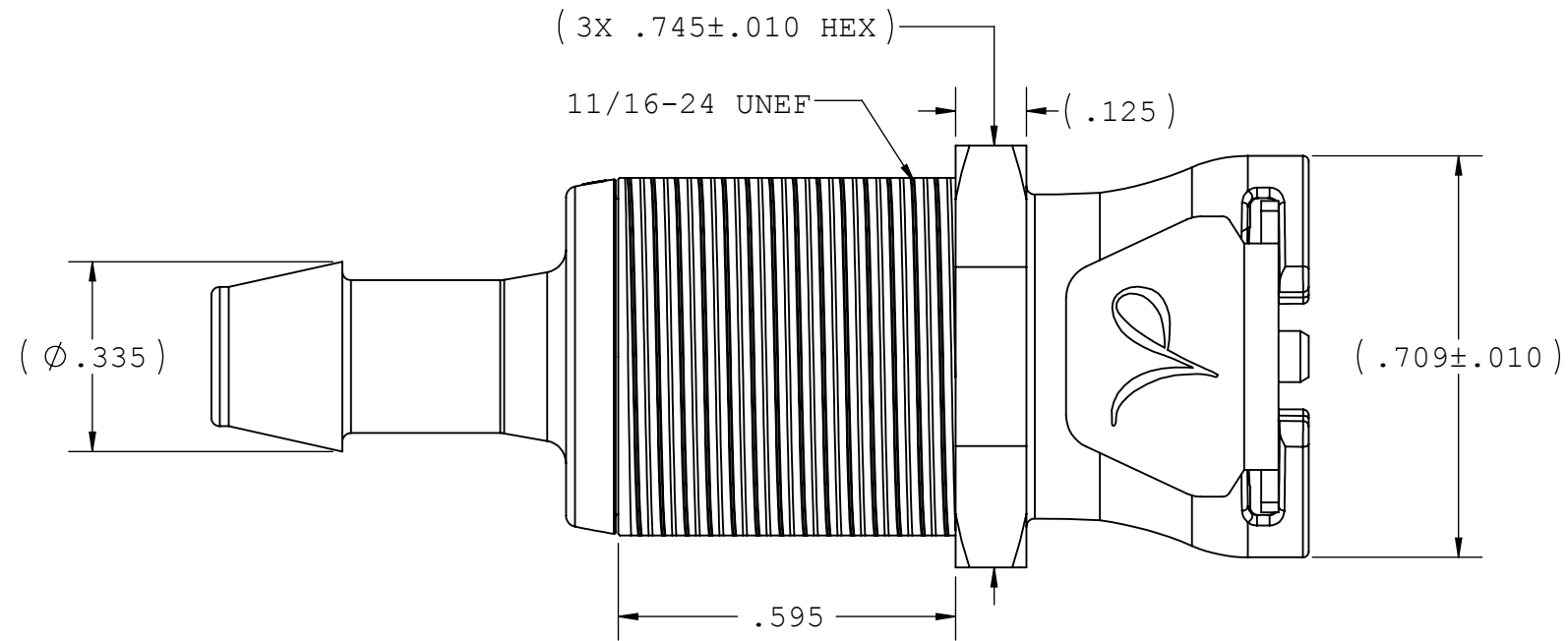
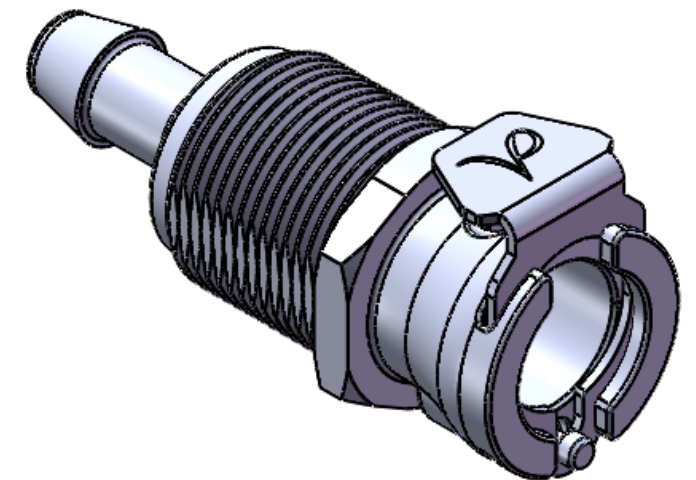
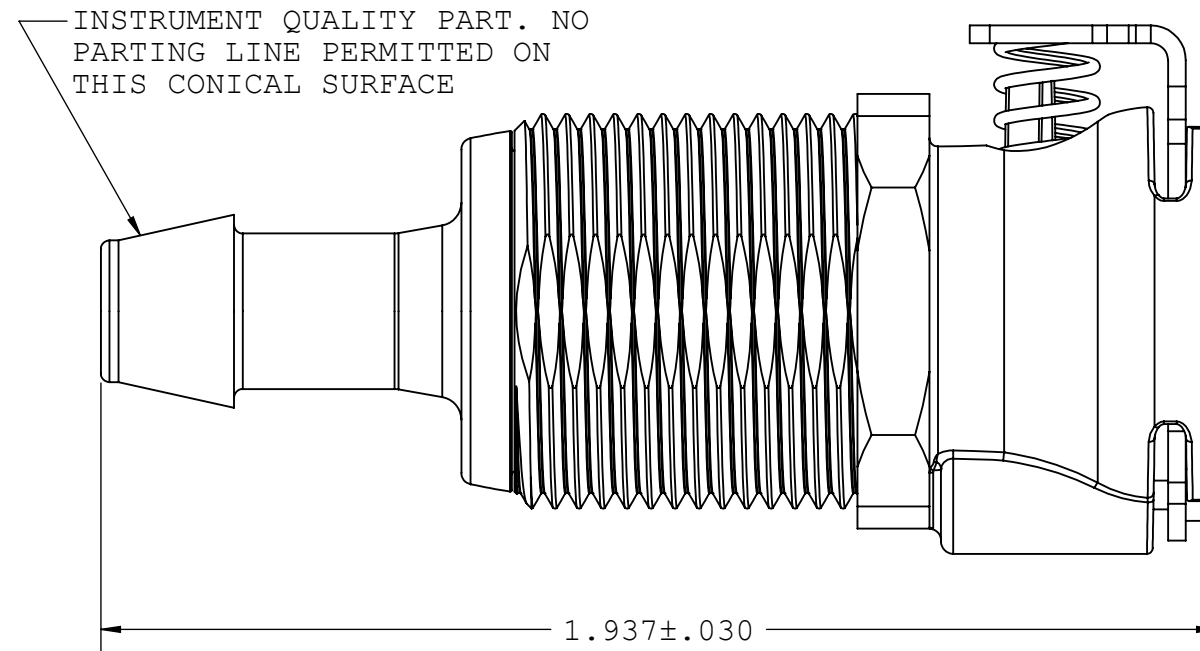
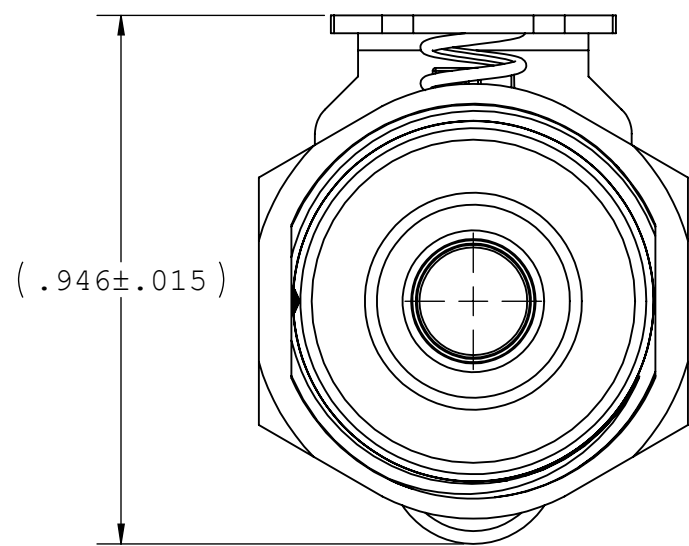


NOTES: FOR MORE DETAILS SEE YOUR V.P. SERVICE REP.

REVISIONS			
REV.	DESCRIPTION	DATE	APPROVED
A	INITIAL RELEASE	05-05-11	S.N.R



FOR USE W/ PM4N



UNLESS OTHERWISE SPECIFIED DIMENSIONS ARE IN INCHES TOLERANCES ARE:		VALUE PLASTICS, INC			
FRACTIONS DECIMAL ANGULAR ± .XXX ±.01 ± 1° .XXXX ±.005 .XXXX ±.001		XQS Series Female Valved Panel Mount Connector, 700 Series Barb, 1/4" (6.4 mm) ID Tubing			
DO NOT SCALE DRAWING		SIZE: B	SCALE: NTS	DWG. NO. 1020153	REV: A
Frank.Lombardi		DATE: 5/9/2011		SHEET: 1 OF 1	
NEW PRODUCT DEVELOPMENT MGR:		2011 VALUE PLASTICS, INC			

Arbel Agencies LTD.

11 Ba'alei Hamelacha st. Qiryat Bialik P.O.B 1095, ZIP 2751311, ISRAEL

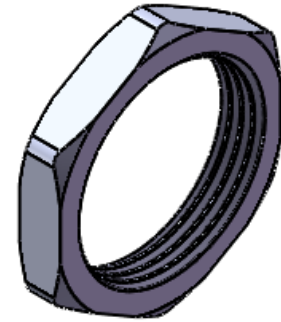
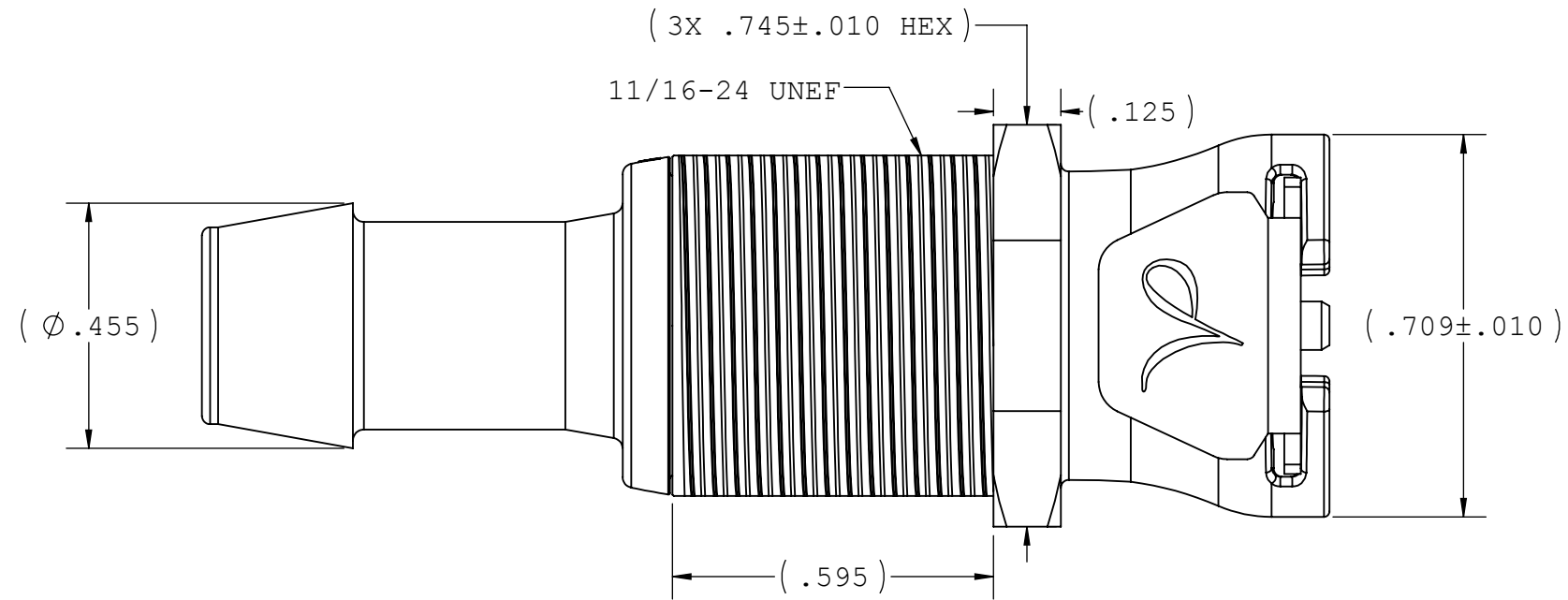
+972(0)48736969 ☎ +972(0)48730708 📠 info@arbel-ltd.com ✉ www.arbel-ltd.com 🌐



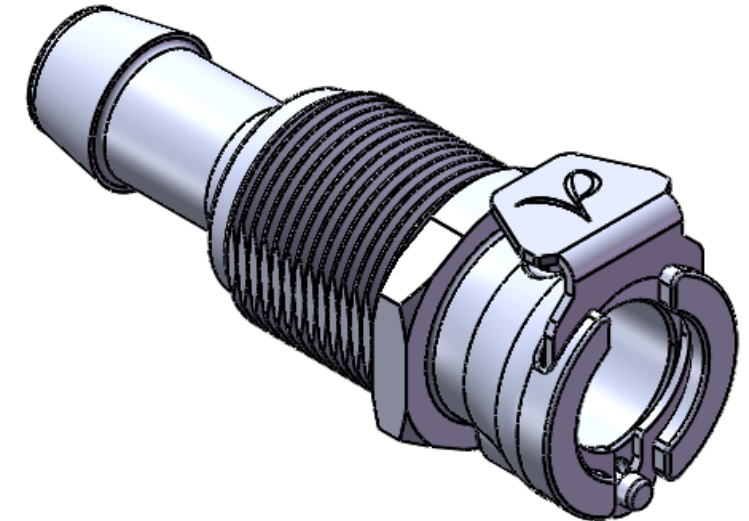
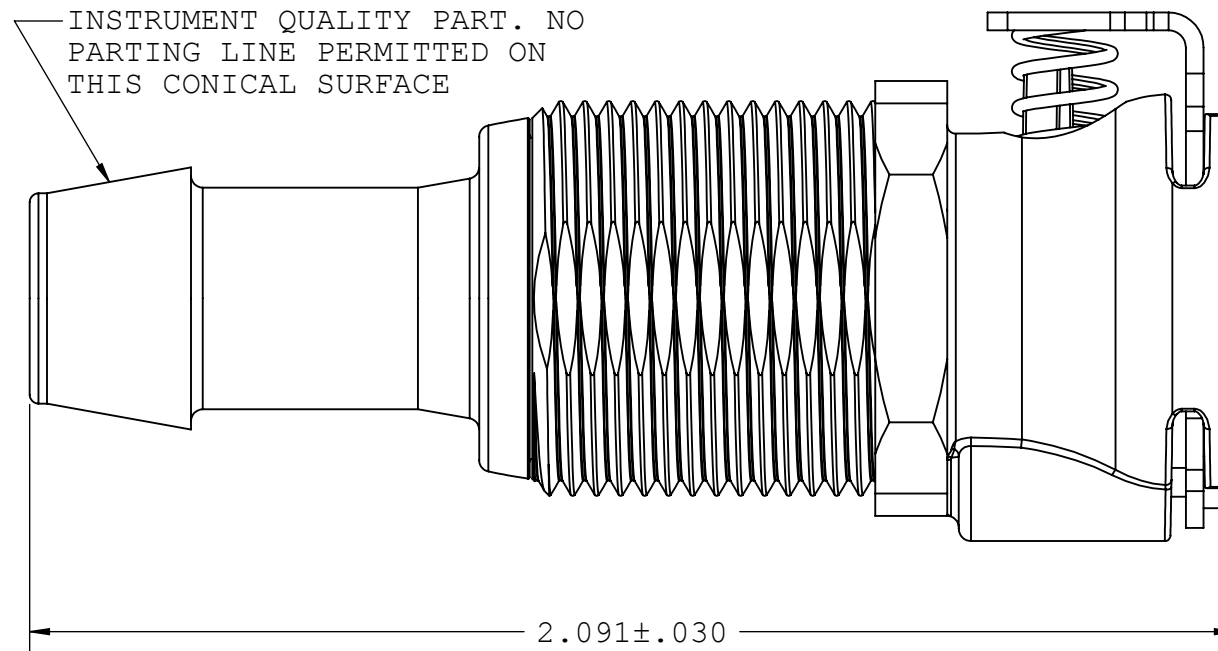
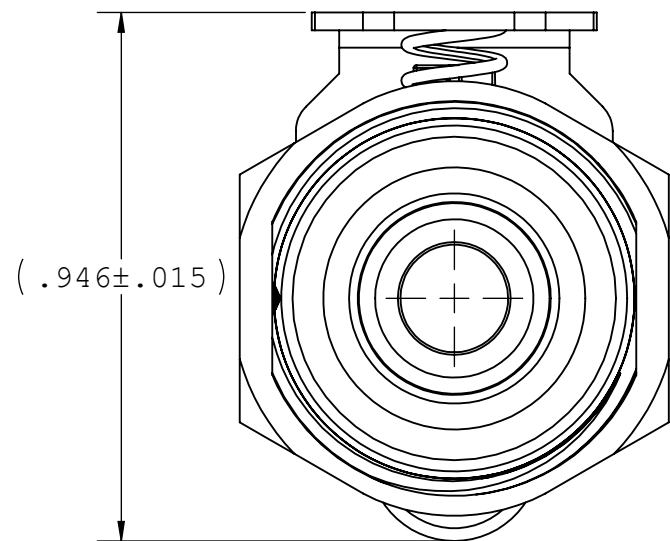
FOR REFERENCE ONLY

NOTES: FOR MORE DETAILS SEE YOUR V.P. SERVICE REP.

REVISIONS			
REV.	DESCRIPTION	DATE	APPROVED
A	INITIAL RELEASE	05-05-11	S.N.R



FOR USE W/ PM4N



UNLESS OTHERWISE SPECIFIED DIMENSIONS ARE IN INCHES TOLERANCES ARE:		VALUE PLASTICS, INC			
FRACTIONS	DECIMAL				
± .XX	± .01	± 1°	DESCRIPTION:	XQS Series Female Valved Panel Mount Connector, 700 Series Barb, 3/8" (9.6 mm) ID Tubing	
± .XXX	± .005		SIZE:	B	
± .XXXX	± .001		SCALE:	NTS	
DO NOT SCALE DRAWING		DATE:	DWG. NO.	1020154	
DRAWN BY:	Frank.Lombardi	DATE:	5/9/2011	REV	
NEW PRODUCT DEVELOPMENT MGR:		R. Narayanan		A	
2011 VALUE PLASTICS, INC			SHEET:	1 OF 1	

Arbel Agencies LTD.

11 Ba'alei Hamelacha st. Qiryat Bialik P.O.B 1095, ZIP 2751311, ISRAEL

+972(0)48736969 +972(0)48730708 info@arbel-ltd.com www.arbel-ltd.com



FOR REFERENCE ONLY