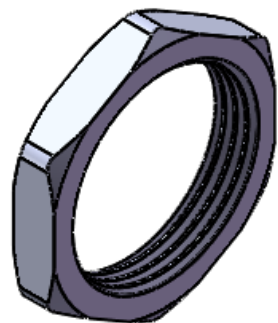
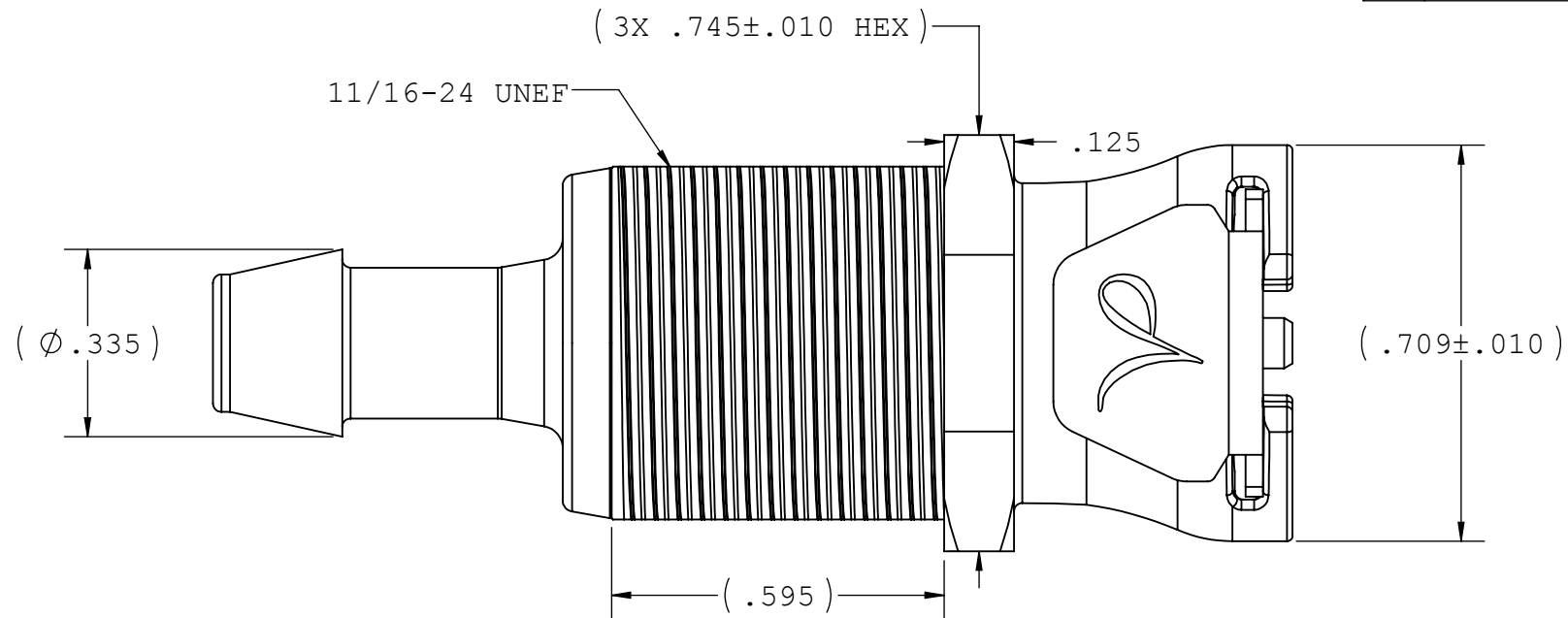
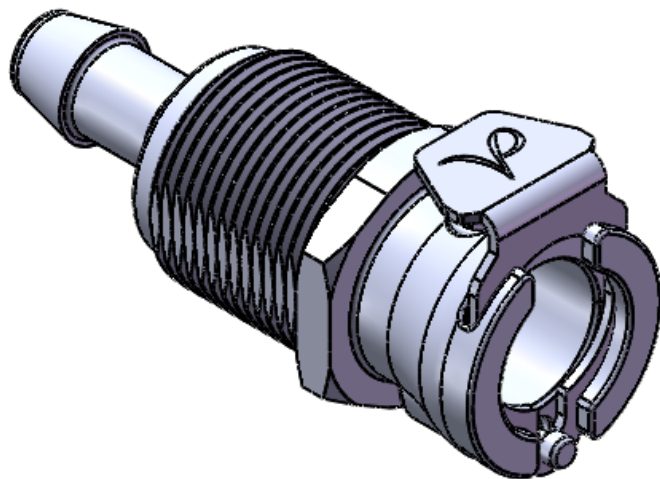
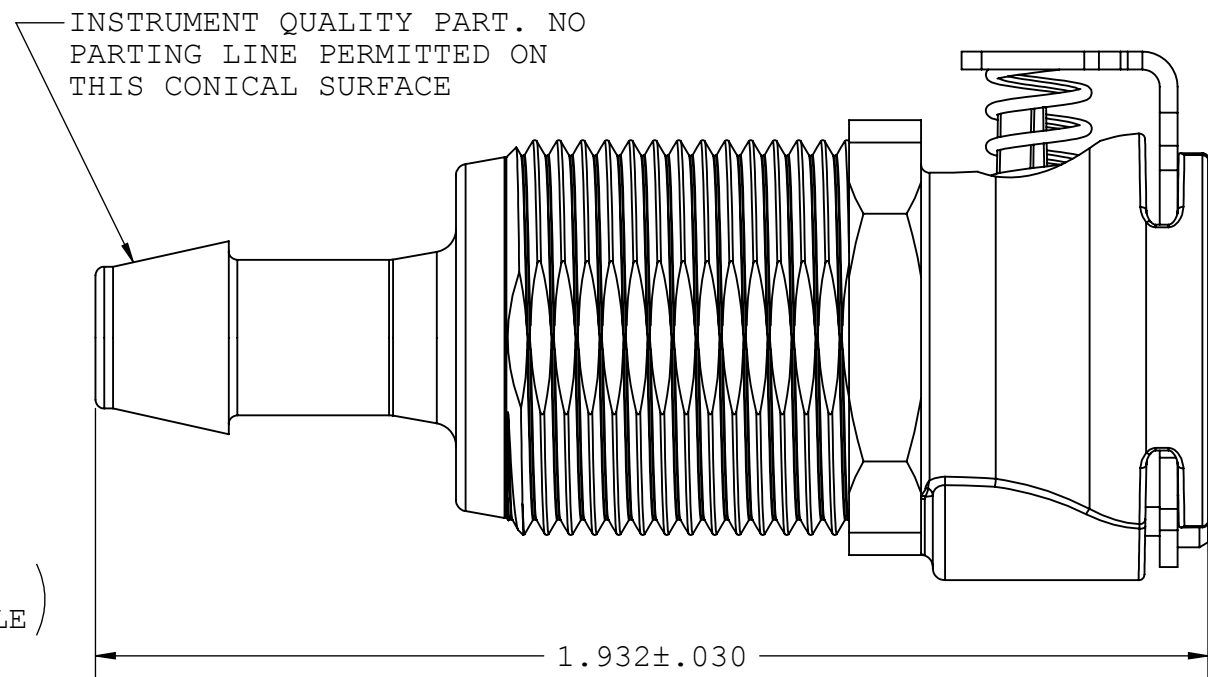
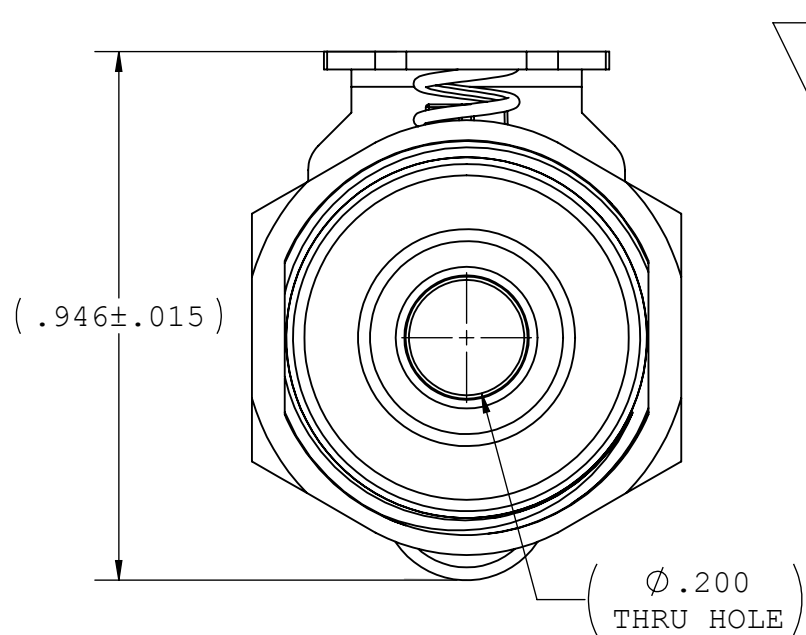


NOTES: FOR MORE DETAILS SEE YOUR V.P. SERVICE REP.

REVISIONS			
REV.	DESCRIPTION	DATE	APPROVED
A	INITIAL RELEASE	04-01-11	S.N.R



FOR USE W/ PM4N



UNLESS OTHERWISE SPECIFIED DIMENSIONS ARE IN INCHES TOLERANCES ARE:		VALUE PLASTICS, INC																							
<table border="0"> <tr> <td>FRACTIONS</td> <td>DECIMAL</td> <td>ANGULAR</td> <td colspan="2"></td> </tr> <tr> <td>±</td> <td>.XX ±.01</td> <td>± 1°</td> <td colspan="2"></td> </tr> <tr> <td></td> <td>.XXX ±.005</td> <td></td> <td colspan="2"></td> </tr> <tr> <td></td> <td>.XXXX ±.001</td> <td></td> <td colspan="2"></td> </tr> </table>		FRACTIONS	DECIMAL	ANGULAR			±	.XX ±.01	± 1°				.XXX ±.005					.XXXX ±.001				PART NUMBER: XQSBF755			
FRACTIONS	DECIMAL	ANGULAR																							
±	.XX ±.01	± 1°																							
	.XXX ±.005																								
	.XXXX ±.001																								
DO NOT SCALE DRAWING		DESCRIPTION: XQS Series Female Open Flow Panel Mount Connector, 700 Series Barb, 1/4" (6.4 mm) ID Tubing																							
DRAWN BY:	DATE:	SIZE:	SCALE:	DWG. NO.	REV																				
Frank.Lombardi	4/1/2011	B	NTS	1020151	A																				
NEW PRODUCT DEVELOPMENT MGR:		2007 VALUE PLASTICS, INC		SHEET: 1 OF 1																					
R. Narayanan																									



Arbel Agencies LTD.

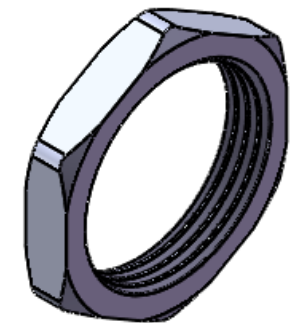
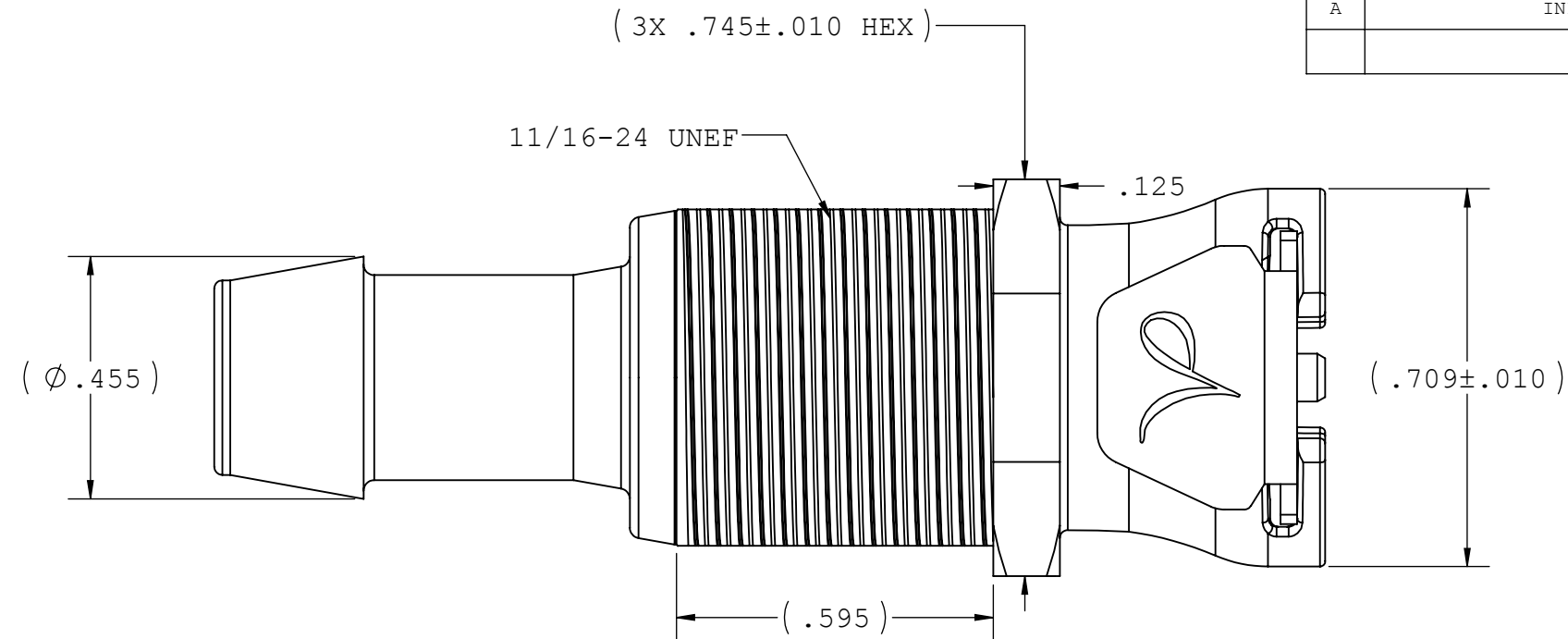
11 Ba'alei Hamelacha st. Qiryat Bialik P.O.B 1095, ZIP 2751311, ISRAEL

+972(0)48736969 ☎ +972(0)48730708 📠 info@arbel-ltd.com ✉ www.arbel-ltd.com 🌐

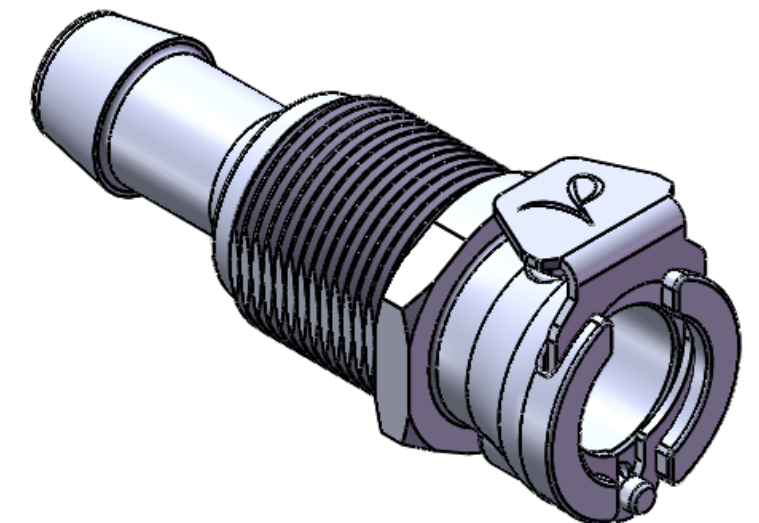
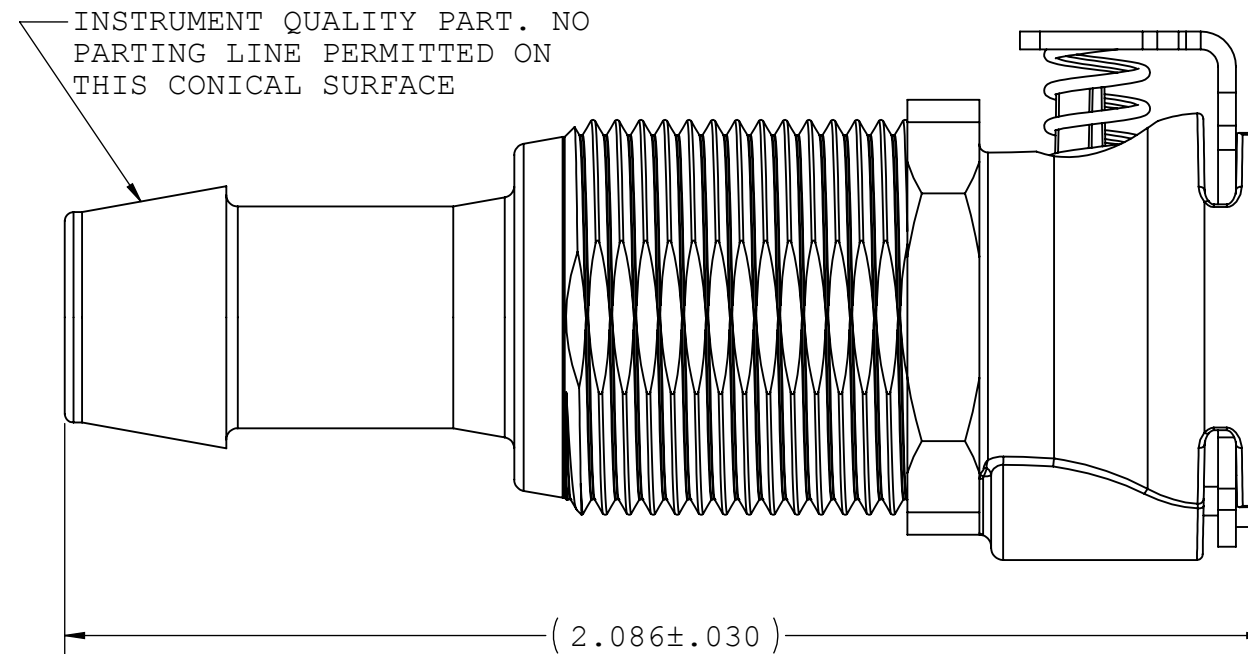
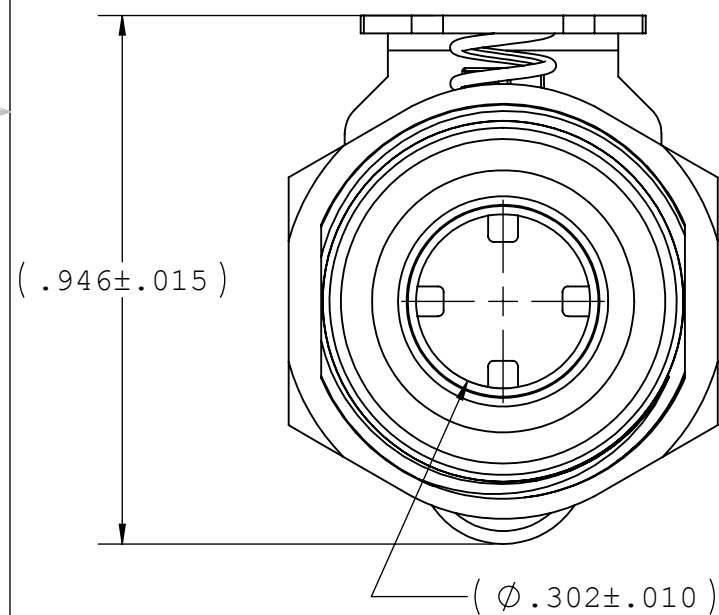
FOR REFERENCE ONLY

NOTES: FOR MORE DETAILS SEE YOUR V.P. SERVICE REP.

REVISIONS			
REV.	DESCRIPTION	DATE	APPROVED
A	INITIAL RELEASE	04-08-11	S.N.R



FOR USE W/ PM4N



UNLESS OTHERWISE SPECIFIED DIMENSIONS ARE IN INCHES		VALUE PLASTICS, INC																							
<table border="0"> <tr> <td>FRACTIONS</td> <td>DECIMAL</td> <td>ANGULAR</td> <td colspan="2"></td> </tr> <tr> <td>±</td> <td>±.01</td> <td>± 1°</td> <td colspan="2"></td> </tr> <tr> <td></td> <td>±.005</td> <td></td> <td colspan="2"></td> </tr> <tr> <td></td> <td>±.001</td> <td></td> <td colspan="2"></td> </tr> </table>		FRACTIONS	DECIMAL	ANGULAR			±	±.01	± 1°				±.005					±.001				QXSBF770			
FRACTIONS	DECIMAL	ANGULAR																							
±	±.01	± 1°																							
	±.005																								
	±.001																								
DO NOT SCALE DRAWING		QXS Series Female Open Flow Panel Mount Connector, 700 Series Barb, 3/8" (9.5 mm) ID Tubing																							
DATE:	4/8/2011	SIZE:	SCALE:	DWG. NO.	REV.																				
		B	NTS	1020152	A																				
NEW PRODUCT DEVELOPMENT MGR:		2007 VALUE PLASTICS, INC		SHEET: 1 OF 1																					



Arbel Agencies LTD.

11 Ba'alei Hamelacha st. Qiryat Bialik P.O.B 1095, ZIP 2751311, ISRAEL

+972(0)48736969 ☎ +972(0)48730708 📠 info@arbel-ltd.com ✉ www.arbel-ltd.com 🌐

FOR REFERENCE ONLY