



Accessories · **S9** · **BALL BEARING SLIDE RAILS**

The Actuonix unique line of Miniature Linear Actuators just became easier to integrate into more applications than ever before with our new Ball Bearing Slide Rails. If your application requires more rigidity or more side load than the actuator itself can provide, use one of our precision slide rails to mount your load onto and then use the actuator to provide the motion. Each rail can withstand much higher loads than the actuator can, and the smooth running ball bearings reduce the friction required to move those heavy objects in a horizontal direction. In combination with our linear actuators you can build a motion control system in one, two or three axis for much heavier objects and with better precision than with the actuator alone.

Slide Rail Specifications

Rail Dimensions	9mm x 6.5mm x Length
Carriage Dimensions	30mm x 20mm x 8mm
Assembly Height	10mm
Maximum Load	2000 N
Maximum Bending Moment	7 N·m
Material	Stainless Steel Rail
Mounting Hardware	M3 x 0.5

Operation

Actuonix's Linear Slide Rails can be oriented in any direction. The length of the rail is longer than the stroke length, see the drawing on the following page for details. Mounting holes are sized for M3 hardware both in the rail and the carriage. Eight M3 phillips pan head machine screws and four M3 nuts are included with each rail for mounting. The rail and the ball bearings are coated with machine oil for long life. The shields and seals on the carriage will keep large dust and debris from the bearings but they are not waterproof. The carriage has an integral ball retainer that will allow removal of the carriage without losing the bearings. You may cut the slide rail to your desired length if required.

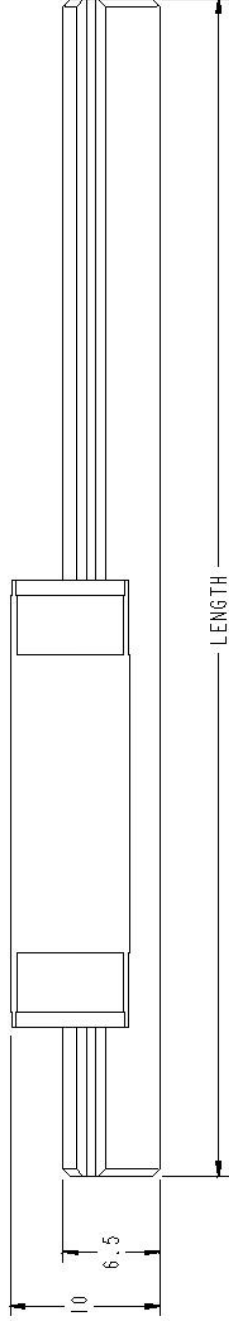
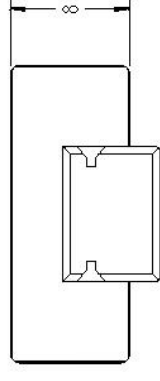
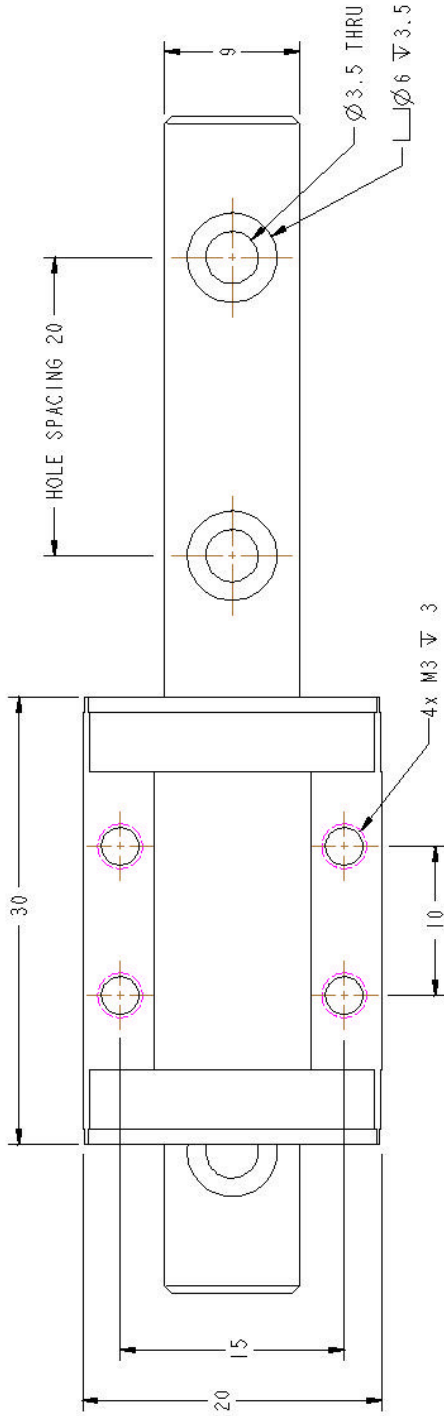
Ordering

Part Numbering: **S9-SSS** SSS - Stroke in millimeters (50, 100, 200, 300)
 Custom length rails, multiple carriages per rail and larger rails can be ordered with a MOQ. Small quantity orders can be placed directly online at www.actuonix.com. Purchase orders, volume quotes, and custom requests can be sent to sales@actuonix.com.

All data on this sheet is provided for information purposes only and is subject to change. Purchase and use of Actuonix products is subject to our terms and conditions as posted here: <http://www.actuonix.com/terms.asp>

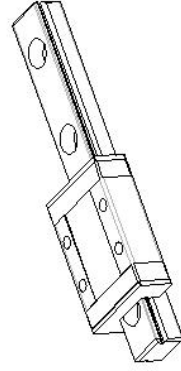
Applications

- Home Automation
- Hobby Applications
- Automotive
- Robotics
- Animatronics



PART NUMBER	STROKE	LENGTH	WEIGHT (g)
S9-50	50	79	46
S9-100	100	129	66
S9-200	200	229	102
S9-300	300	329	130

SCALE 1:1



NOTES:
 MAXIMUM LOAD CAPACITY: 2000N
 MAXIMUM BENDING MOMENT: 7 N-m
 MATERIALS: STAINLESS STEEL RAIL AND CARRIAGE WITH PLASTIC SEALS AND END CAPS
 LUBRICATION: MACHINE OIL

SITE SCALE	PART NUMBER	REV
B 3:1	S9	A
FILE SLIDE-RAIL	SHEET 1	OF 1

Copyright 2016 © Actuonix Motion Devices Inc.



Arbel Agencies LTD.
 11 Baralei Hamelacha st. Qiryat Bialik P.O.B 1095, ZIP 2751311, ISRAEL
 +972(0)48736969 ☎ +972(0)48730708 📠 info@arbel-ltd.com 🌐 www.arbel-ltd.com

