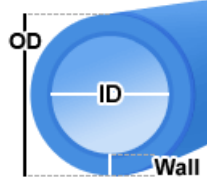


## Compression Fitting for OD 12mm (15/32in) Rigid Tubing \*Black\*, G 1/4 BSPP

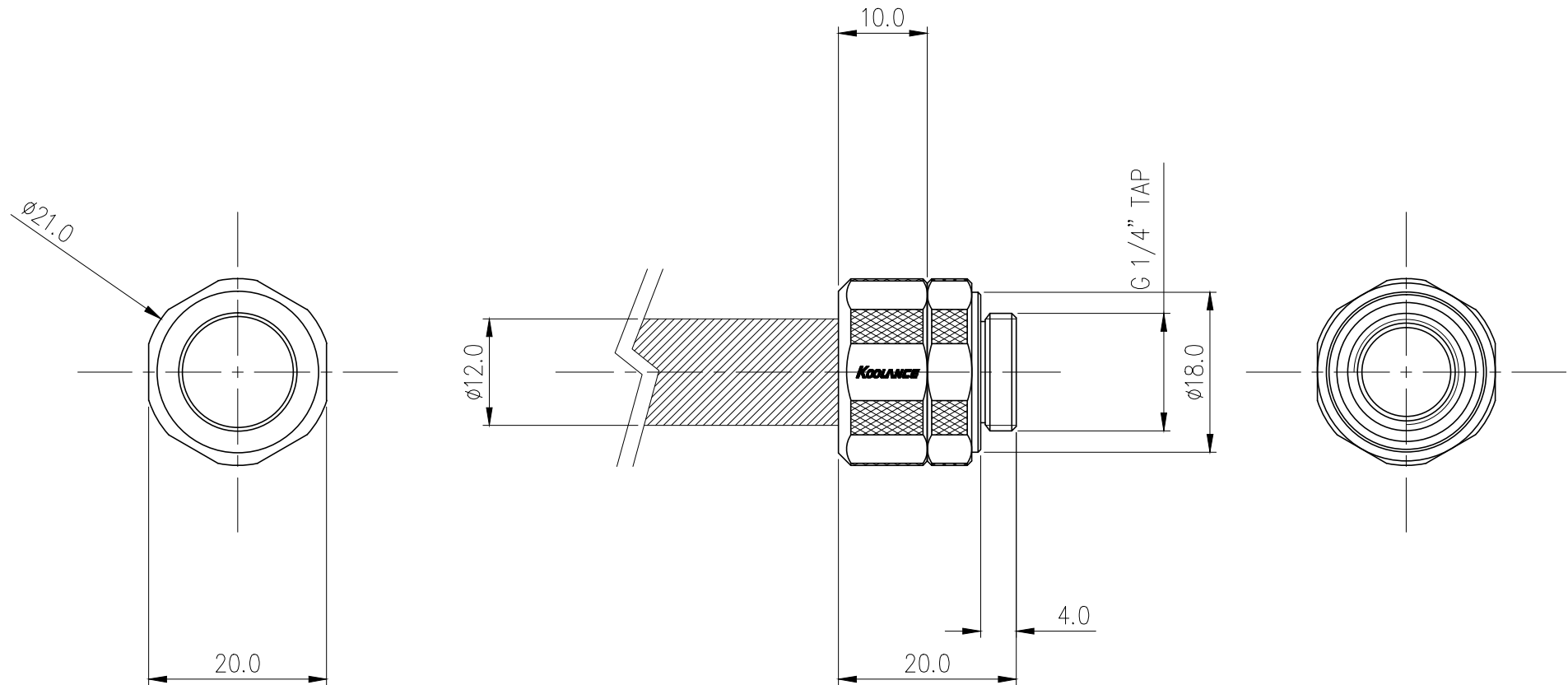



Single fitting for 12mm (15/32in) OD rigid plastic tubing. Triple o-ring design. Accepts tube outer diameters of 11.6-12.4mm. G 1/4 BSPP (parallel) thread fitting.

### Intended Tubing Size OD: 12mm (0.472")



General	
Weight	0.09 lb (0.04 kg)
Materials	Brass, EPDM



NO.	DESCRIPTION				MATER'L		QUANTITY	REMARKS
					UNIT	MM		
					SCALE	N/S	APPAR	FIT-V12RT(-BK)
DATE					BY	BY	BY	APPRO
	S.J.LEE					3RD ANGLE	Ass'y	
						CODE NO.	DWG. NO.	