

W995



KNURLED CONTROL KNOB WITH SCALE NUMBER

Material:
Aluminium AL6060.

Surface:
Low roughness turned surface.

Colour:
Black anodized (galvanic treatment).

Cap:
Central cap on grey polyamide (RAL 7035 cod. 13).

Grub Screw:
(1) Grub screw M05x6 on stainless steel Aisi 304, with cup point DIN 916.

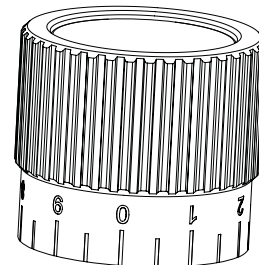
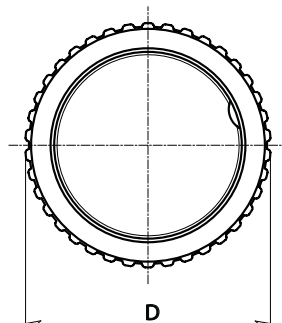
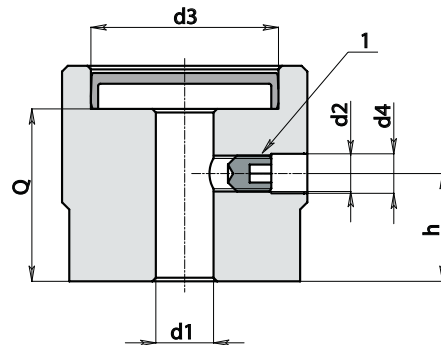
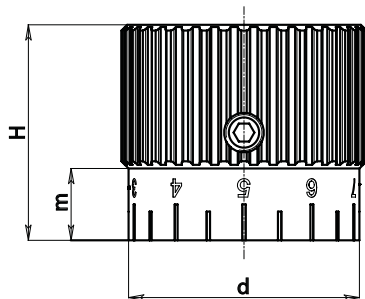
Hole:
Female right through hole with tolerance class H10.

Numbers:
Numbers engraved on smooth part of the knob.
Natural aluminium colour.
Z1= 0-10 scale with 20 divisions.
Z2= 0-20 scale with 20 divisions.



SPECIAL REQUESTS:

- It's possible to supply the handwheels with customised hole d1, on request and for quantities.



Art.	D	d	H	m	h	d2	d3	d4	d1 H7	Q	Δ g
W99534.AD0813Z1	34	32	30	10	15	M5	26	5,5	8	24	100

Attention: bore d1 (H10 tolerance) could be produced by request, with 50 pieces minimum.