

W510



CYLINDRICAL FIXED METAL LEVER WITH INCLINED ARM

Material:

Steel with resistance class 5.8.

Surface:

Low roughness turned surface.

Colour:

Nickel-plated (galvanic treatment).

Alternative Colour:

Black-oxide (final code letter B ex.: W510082.SD0801B).

Zinc-plated (final code letter Z ex.: W510082.SD0801Z).

Handgrip:

Ball knob art. I104, reinforced polyamide, black Ral 9011 (see pag. I-3).

Handgrip Fastening:

Push-fit. Removable.

Hole:

Female smooth blind hole with tolerance class H10.

Cap:

Black polyamide (RAL 9011 cod. 01).

Alternative Cap Colours:

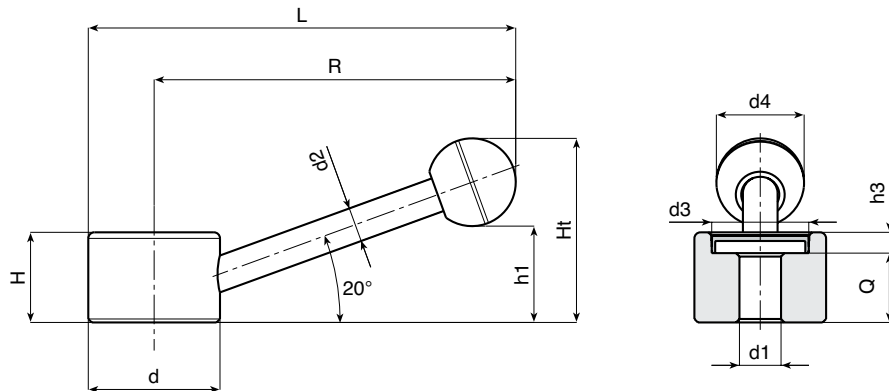
Black-oxide version, Grey polyamide (RAL 7035 cod. 13).

For fixing system, or execution of keyway or square holes, please refer to the technical notes attached to the catalogue..



SPECIAL REQUESTS:

- It's possible to supply the levers with customised hole d1, on request and for quantities.
- It's possible to supply the knobs with colours as shown in the table at page W-19.



Art.	d	R	L	H	Ht	h1	h3	d2	d3	d4	d1 H10	Q	g
● W510082.SD1001H	30	82	97	22	43	23	6	8	22	20	10	16	118
● W510104.SD1001H	38	104	123	26	53	28	6	10	28	25	10	20	235
● W510104.SD1201H	38	104	123	26	53	28	6	10	28	25	12	20	230
● W510128.SD1401H	48	128	152	30	66	30	6	12	34	35	14	24	434
● W510128.SD1601H	48	128	152	30	66	30	6	12	34	35	16	24	427

Attention: bore d1 (H10 tolerance) could be produced by request, with 50 pieces minimum.

Presumable presence in the stock in %
90% ● **40%** ● **5%** ●