

# W510 CIN



**INOX**

## STAINLESS STEEL CYLINDRICAL FIXED LEVER WITH INCLINED ARM

**Material:**  
Stainless steel AISI 303.

**Surface:**  
Low roughness turned surface.

**Colour:**  
Natural.

**Handgrip:**  
Ball knob art. I104, reinforced polyamide, black Ral 9011 ( see pag. I-3).

**Handgrip Fastening:**  
Push-fit. Removable.

**Hole:**  
Female smooth blind hole with tolerance class H10.

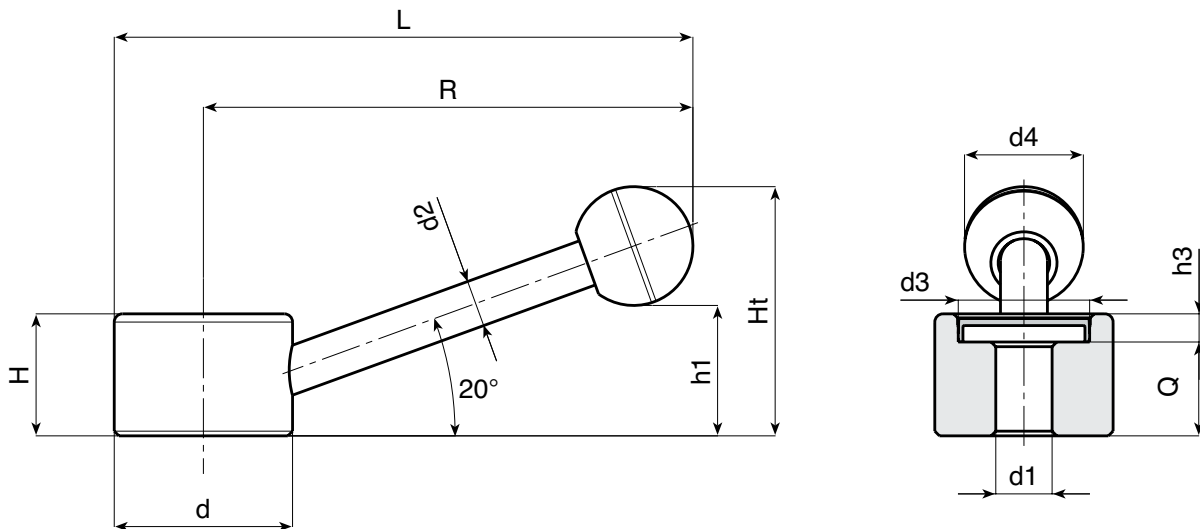
**Cap:**  
Black polyamide (RAL 9011 cod. 01).

*For fixing system, or execution of keyway or square holes, please refer to the technical notes attached to the catalogue.*



### SPECIAL REQUESTS:

- It's possible to supply the levers with customised hole d1, on request and for quantities.
- It's possible to supply the knobs with colours as shown in the table at page W-19.



Art.	d	R	L	H	Ht	h1	h3	d2	d3	d4	d1 H10	Q	g
● <b>W510082.ID1001CIN</b>	30	<b>82</b>	97	22	43	23	6	8	22	20	<b>10</b>	16	118
● <b>W510104.ID1001CIN</b>	38	<b>104</b>	123	26	53	28	6	10	28	25	<b>10</b>	20	235
● <b>W510128.ID1401CIN</b>	48	<b>128</b>	152	30	66	30	6	12	34	35	<b>14</b>	24	434

Attention: bore d1 (H10 tolerance) could be produced by request, with 50 pieces minimum.