

# W502-W502CIN



## STEEL FIXED LEVER WITH INCLINED ARM AND SMOOTH HOLE

### Material:

**W502:** Steel with resistance class 5.8.

**W502CIN:** Stainless steel Aisi 303.

### Surface:

Low roughness turned surface.

### Colour:

**W502:** Nickel-plated ( galvanic treatment).

**W502CIN:** Natural.

### Alternative Colour for W502:

Black-oxide (final code letter B ex.: W502070.SD0801B).

Zinc-plated (final code letter Z ex.: W502070.SD0801Z).

### Handgrip:

Short knobs art. I500, reinforced polyamide, black Ral 9011 ( see page I-11).

### Handgrip Fastening:

Push-fit. Removable.

### Hole:

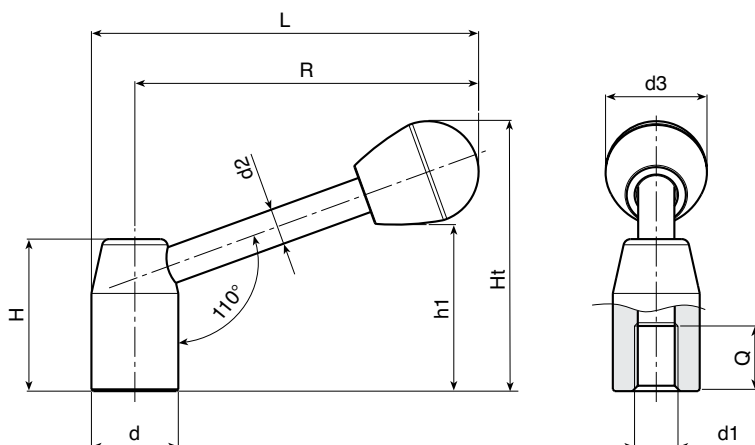
Female smooth blind hole with tolerance class H10.

For fixing system, or execution of keyway or square holes, please refer to the technical notes attached to the catalogue.



### SPECIAL REQUESTS:

- It's possible to supply the levers with customised hole d1, on request and for quantities.
- It's possible to supply the knobs with colours as shown in the table at page W-19.



### Version W502 on nickel plated steel

Art.	d	R	L	H	Ht	h1	d2	d3	d1 H10	Q	Δ g
W502070.SD0801H	20	67	77	34	57	34	8	22	08	16	84
W502080.SD1001H	22	76	87	38	63	40	8	22	10	18	109
W502095.SD1201H	24	91	102,5	42	73	45	10	28	12	20	158
W502110.SD1201H	28	105	119	48	82	54	12	28	12	22	278
W502125.SD1601H	32	120	135,5	52	92	59	12	32	16	25	337
W502140.SD1601H	36	135	152	58	101	68	14	32	16	26	500
W500150.SD2001H	40	144	164	64	110	72	16	37	20	28	670
W502170.SD2001H	45	162	184	70	121	83	16	37	20	30	870

### Version W502 CIN on stainless steel Aisi303

Art.	d	R	L	H	Ht	h1	d2	d3	d1 H10	Q	Δ g
W502070.ID0801CIN	20	67	77	34	57	34	8	22	08	16	84
W502080.ID1001CIN	22	76	87	38	63	40	8	22	10	18	109
W502095.ID1201CIN	24	91	102	42	73	45	10	28	12	20	158
W502110.ID1201CIN	28	105	119	48	82	54	12	28	12	22	278
W502125.ID1601CIN	32	120	135	52	92	59	12	32	16	25	337
W502140.ID1601CIN	36	135	152	58	101	68	14	32	16	26	500
W500150.ID2001CIN	40	144	164	64	110	72	16	37	20	28	670
W502170.ID2001CIN	45	162	184	70	121	83	16	37	20	30	870

**INOX**