

W501-W501CIN



FIXED METAL LEVER WITH HORIZONTAL ARM WITH THREADED HOLE

Material:

W501: Steel with resistance class 5.8.

W501CIN: Stainless steel Aisi 303.

Surface:

Low roughness turned surface.

Colour:

W501: Nickel-plated (galvanic treatment).

W501CIN: Natural.

Alternative Colour for W501:

Black-oxide (final code letter B ex.: W501070.SM0801B).

Zinc-plated (final code letter Z ex.: W501070.SM0801Z).

Handgrip:

Short knobs art. I500, reinforced polyamide, black Ral 9011 (see page I-11).

Handgrip Fastening:

Push-fit. Removable.

Hole:

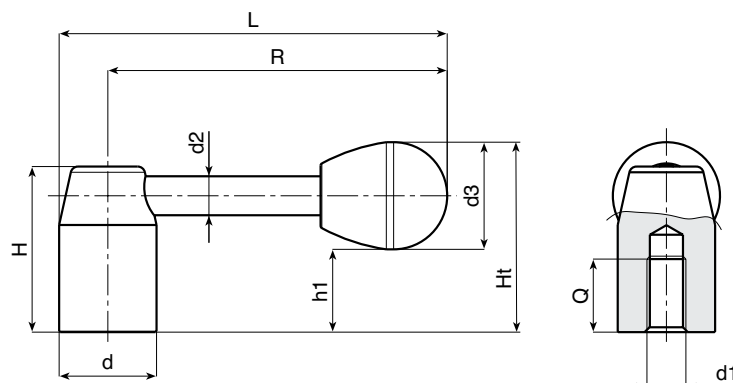
Female threaded blind hole with tolerance class 6H.

For fixing system, or execution of keyway or square holes, please refer to the technical notes attached to the catalogue.



SPECIAL REQUESTS:

- It's possible to supply the levers with customised hole d1, on request and for quantities.
- It's possible to supply the knobs with colours as shown in the table at page W-19.



Version W501 on nickel plated steel

Art.	d	R	L	H	Ht	h1	d2	d3	d1 6H	Q	g
● W501070.SM0801H	20	70	80	34	39	17	8	22	M08	15	89
● W501080.SM1001H	22	80	91	38	43	21	8	22	M10	15	111
● W501095.SM1201H	24	95	107	42	49	21	10	28	M12	18	160
● W501110.SM1201H	28	110	124	48	54	26	12	28	M12	18	280
● W501125.SM1601H	32	125	141	52	59	27	12	32	M16	22	340
● W501140.SM1601H	36	140	158	58	64	32	14	32	M16	23	513
● W501150.SM2001H	40	150	170	64	71	34	16	37	M20	25	687
● W501170.SM2001H	45	170	192,5	70	77	40	16	37	M20	28	890

Version W501 CIN on stainless steel Aisi303

Art.	d	R	L	H	Ht	h1	d2	d3	d1 6H	Q	g
● W501070.SM0801CIN	20	70	80	34	39	17	8	22	M08	15	89
● W501080.SM1001CIN	22	80	91	38	43	21	8	22	M10	15	111
● W501095.SM1201CIN	24	95	107	42	49	21	10	28	M12	18	160
● W501110.SM1201CIN	28	110	124	48	54	26	12	28	M12	18	280
● W501125.SM1601CIN	32	125	141	52	59	27	12	32	M16	22	340
● W501140.SM1601CIN	36	140	158	58	64	32	14	32	M16	23	513
● W501150.SM2001CIN	40	150	170	64	71	34	16	37	M20	25	687

INOX

Presumable presence in the stock in %
 90% ● 40% ● 5% ●



ver. WUK.19-1217