

W500-W500CIN



FIXED METAL LEVER WITH INCLINED ARM AND THREADED HOLE

Material:

W500: Steel with resistance class 5.8.

W500CIN: Stainless steel Aisi 303.

Surface:

Low roughness turned surface.

Colour:

W500: Nickel-plated (galvanic treatment).

W500CIN: Natural.

Alternative Colour for W500:

Black-oxide (final code letter B ex.: W500070.

SM0801B).

Zinc-plated (final code letter Z ex.: W500070.

SM0801Z).

Handgrip:

Short knobs art. I500, reinforced polyamide, black Ral 9011 (see page I-11).

Handgrip Fastening:

Push-fit. Removable.

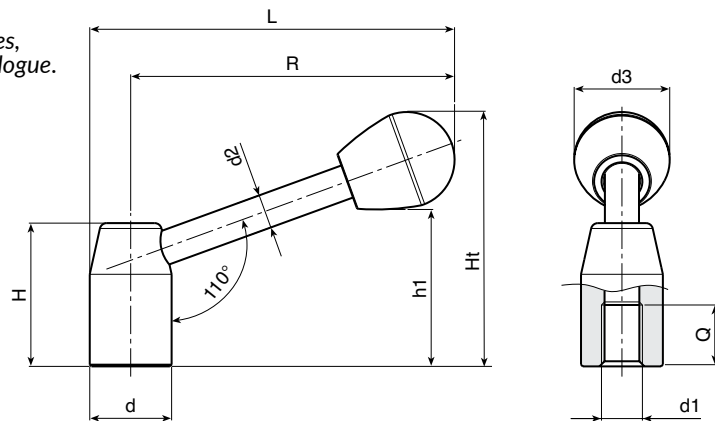
Hole:

Female threaded blind hole with tolerance class 6H.

For fixing system, or execution of keyway or square holes, please refer to the technical notes attached to the catalogue.

SPECIAL REQUESTS:

- It's possible to supply the levers with customised hole d1, on request and for quantities.
- It's possible to supply the knobs with colours as shown in the table at page W-19.



Version W500 on nickel plated steel

Art.	d	R	L	H	Ht	h1	d2	d3	d1 6H	Q	g
● W500070.SM0801H	20	67	77	34	57	34	8	22	M08	15	89
● W500080.SM1001H	22	76	87	38	63	40	8	22	M10	15	111
● W500095.SM1201H	24	91	102	42	73	45	10	28	M12	18	160
● W500110.SM1201H	28	105	119	48	82	54	12	28	M12	18	280
● W500125.SM1601H	32	120	135	52	92	59	12	32	M16	22	340
● W500140.SM1601H	36	135	152	58	101	68	14	32	M16	23	513
● W500150.SM2001H	40	144	164	64	110	72	16	37	M20	25	687
● W500170.SM2001H	45	162	184	70	121	83	16	37	M20	28	890

Version W500 CIN on stainless steel Aisi303

Art.	d	R	L	H	Ht	h1	d2	d3	d1 6H	Q	g
● W500070.IM0801CIN	20	67	77	34	57	34	8	22	M08	15	89
● W500080.IM1001CIN	22	76	87	38	63	40	8	22	M10	15	111
● W500095.IM1201CIN	24	91	102	42	73	45	10	28	M12	18	160
● W500110.IM1201CIN	28	105	119	48	82	54	12	28	M12	18	280
● W500125.IM1601CIN	32	120	135	52	92	59	12	32	M16	22	340
● W500140.IM1601CIN	36	135	152	58	101	68	14	32	M16	23	513
● W500150.IM2001CIN	40	144	164	64	110	72	16	37	M20	25	687
● W500170.IM2001CIN	45	162	184	70	121	83	16	37	M20	28	890

INOX

Presumable presence in the stock in %
 90% ● 40% ● 5% ●



ver. WUK.19-1217