

W467-W467PIN



KNURLED METAL HANDWHEEL WITH SHORT HUB AND THREADED BORE

Material:

W467: Steel with resistance class 5.8.

W467 PIN: Stainless steel AISI 303.

Surface:

Low roughness turned surface.

Colour:

W467: Nickel-plated (galvanic treatment).

W467 PIN: Natural.

Alternative Colour for W467:

Black-oxide (final code letter B ex.: W46729.

SM08B).

Zinc-plated (final code letter Z ex.: W46729.

SM08Z).

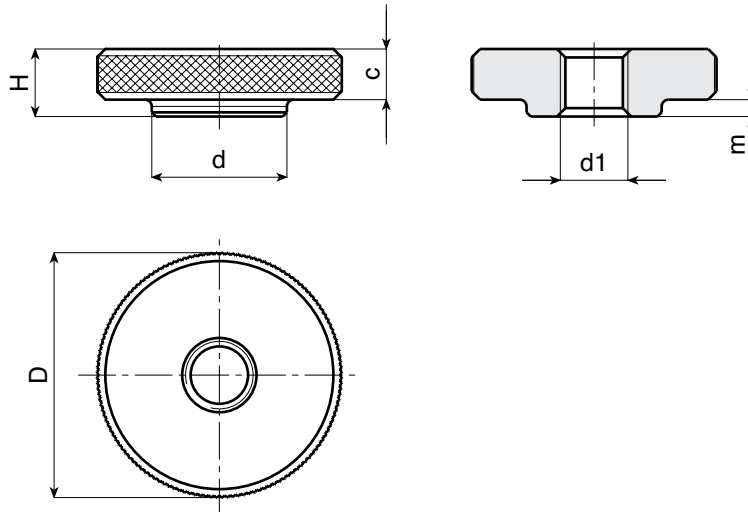
Hole:

Female threaded right through hole with tolerance class 6H.



SPECIAL REQUESTS:

- It's possible to supply the knobs with customised hole d1, on request and for quantities.



Version W467 on nickel-plated steel

Art.	d	D	H	m	c	d1 6H	g
W46711.SM03H	6	11	3	-	3	M03	2
W46715.SM04H	8	15	4	-	4	M04	5
W46719.SM05H	10	19	5	1	4	M05	9
W46723.SM06H	12	23	6	1	5	M06	16
W46729.SM08H	16	29	8	2	6	M08	32
W46735.SM10H	20	35	10	2	8	M10	61
W46739.SM12H	22	39	12	2	10	M12	92

Version W467 PIN on stainless steel

Art.	d	D	H	m	c	d1 6H	g
W46711.IM03PIN	6	11	3	-	3	M03	2
W46715.IM04PIN	8	15	4	-	4	M04	5
W46719.IM05PIN	10	19	5	1	4	M05	9
W46723.IM06PIN	12	23	6	1	5	M06	16
W46729.IM08PIN	16	29	8	2	6	M08	32
W46735.IM10PIN	20	35	10	2	8	M10	61
W46739.IM12PIN	22	39	12	2	10	M12	92

INOX

Presumable presence in the stock in %
 90% ● 40% ● 5% ●