

# W298



## ALUMINIUM CONTROL HANDWHEEL WITH REVOLVING/FOLDING HANDLE

**Material:**  
Die cast aluminium.

**Surface:**  
Satin finish surface, except for the low roughness turned areas labeled with "T".

**Colour:**  
Nickel-plated ( galvanic treatment).

**Alternative Colour:**  
Painted Black (final code letter V ex.: W298080.AD08V)

**Tap:**  
Black polyamide (RAL 9011 cod. 01).

**Alternative Cap Colours:**  
Black version, Grey polyamide (RAL 7035 cod. 13).

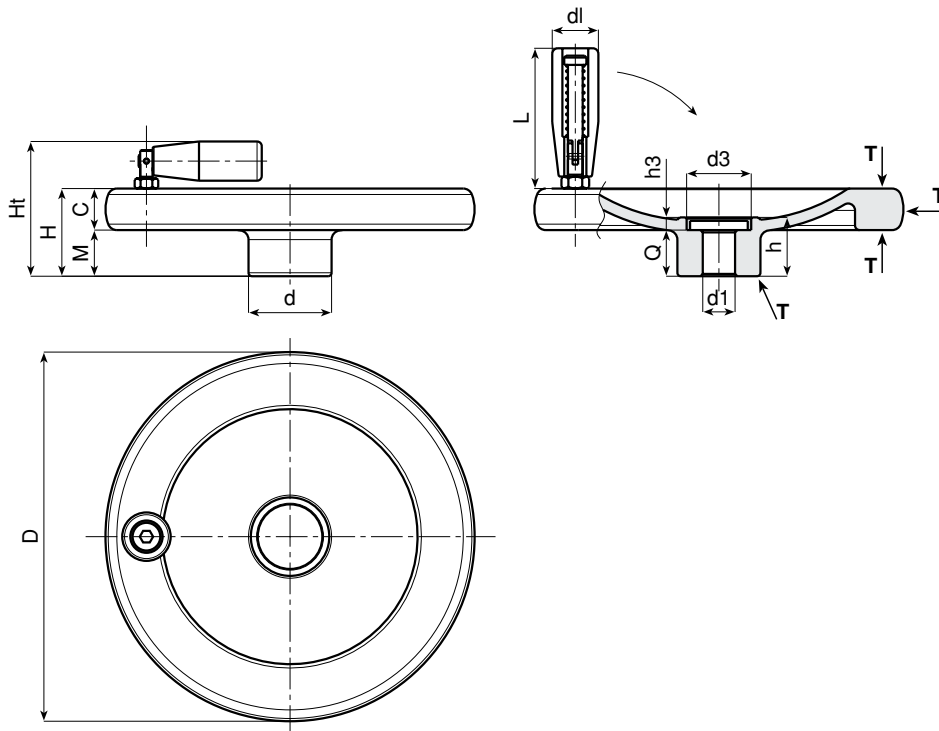
**Hole:**  
Female right through hole with tolerance class H10.

**Side handle:**  
Revolving and folding handle art. M136 (see page M-16).

*For fixing system, or execution of keyway or square holes, please refer to the technical notes attached to the catalogue.*

### SPECIAL REQUESTS:

- It's possible to supply the handwheels with customised hole d1, on request and for quantities.



Art.	d	D	H	m	c	h	h3	d3	d1 H7	Q	d1	L	Δ g
W298080.AD08H	26	80	26	14	12	21	5,5	20	08	15,5	20	56	181
W298100.AD10H	28	100	28	14	14	21,5	5,5	20	10	16	20	56	279
W298130.AD12H	36	130	35	19	16	25,5	5,5	28	12	20	25	76	506
W298160.AD14H	36	160	38	20	18	25,5	5,5	28	12	20	25	76	756
W298200.AD16H	42	200	44	24	20	31,5	6	34	16	25,5	26	89	1337

Attention: bore d1 (H10 tolerance) could be produced by request, with 50 pieces minimum.

Presumable presence in the stock in %   
 90% ● 40% ● 5% ●



ver. WUK.19-1217