

W297



ALUMINIUM CONTROL HANDWHEEL WITH REVOLVING HANDLE

Material:
Die cast aluminium.

Surface:
Satin finish surface, except for the low roughness turned areas labeled with "T".

Colour:
Nickel-plated (galvanic treatment).

Alternative Colour:
Painted Black (final code letter V ex.: W297080.AD08V)

Tap:
Black polyamide (RAL 9011 cod. 01).

Alternative Cap Colours:
Black version, Grey polyamide (RAL 7035 cod. 13).

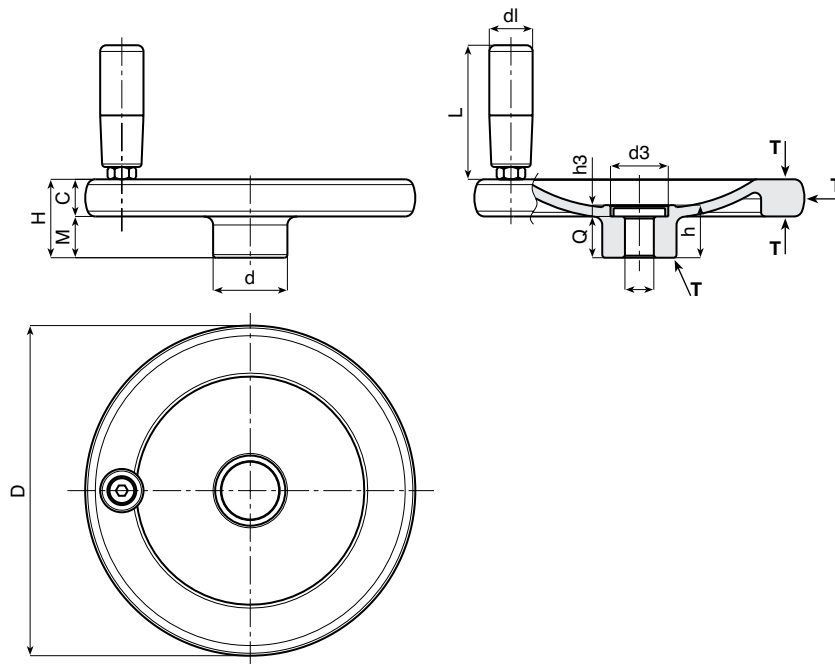
Hole:
Female right through hole with tolerance class H10.

Side handle:
Revolving handle art. M129 (see page M-10).

For fixing system, or execution of keyway or square holes, please refer to the technical notes attached to the catalogue.

SPECIAL REQUESTS:

- It's possible to supply the handwheels with customised hole d1, on request and for quantities.



Art.	d	D	H	m	c	h	h3	d3	d1 H7	Q	dl	L	Δ g
● W297080.AD08H	26	80	26	14	12	21	5,5	20	08	15,5	20	52	185
● W297100.AD10H	28	100	28	14	14	21,5	5,5	20	10	16	20	52	282
● W297130.AD12H	36	130	35	19	16	25,5	5,5	28	12	20	23	62	492
● W297160.AD14H	36	160	38	20	18	25,5	5,5	28	12	20	25	72	778
● W297200.AD16H	42	200	44	24	20	31,5	6	34	16	25,5	25	81	1287