

# W296



## ALUMINIUM CONTROL HANDWHEEL

### Material:

Die cast aluminium.

### Surface:

Satin finish surface, except for the low roughness turned areas labeled with "T".

### Colour:

Nickel-plated ( galvanic treatment).

### Alternative Colour:

Painted Black (final code letter V ex.: W296080.AD08V).

### Tap:

Black polyamide (RAL 9011 cod. 01).

### Alternative Cap Colours:

Black version, Grey polyamide (RAL 7035 cod. 13).

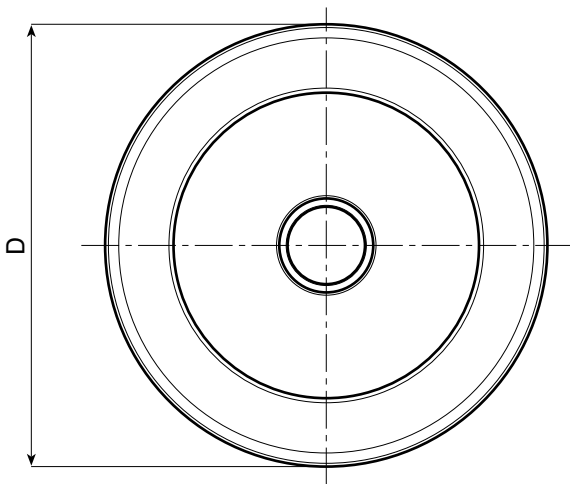
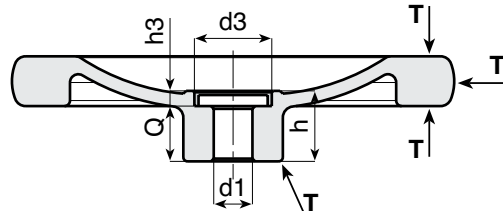
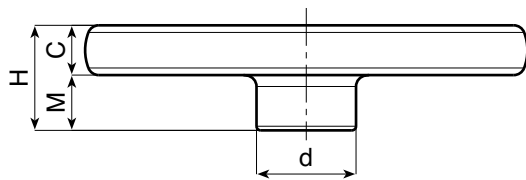
### Hole:

Female right through hole with tolerance class H10.

*For fixing system, or execution of keyway or square holes, please refer to the technical notes attached to the catalogue.*

### SPECIAL REQUESTS:

- It's possible to supply the handwheels with customised hole d1, on request and for quantities.



Art.	d	D	H	m	c	h	h3	d3	d1 H7	Q	Δ g
● W296080.AD08H	26	80	26	14	12	21	5,5	20	08	15,5	142
● W296100.AD10H	28	100	28	14	14	21,5	5,5	20	10	16	240
● W296130.AD12H	36	130	35	19	16	25,5	5,5	28	12	20	435
● W296160.AD14H	36	160	38	20	18	25,5	5,5	28	12	20	685
● W296200.AD16H	42	200	44	24	20	31,5	6	34	16	25,5	1185

Attention: bore d1 (H10 tolerance) could be produced by request, with 50 pieces minimum.

Presumable presence in the stock in %   
 90% ● 40% ● 5% ●

