

W184-W184CIN

STEEL WASHER



Material:

W184 Steel with resistance class 3.8.

W184 CIN: Stainless steel AISI 303.

Surface:

Low roughness turned surface.

Colour:

W184: Zinc-plated (galvanic treatment).

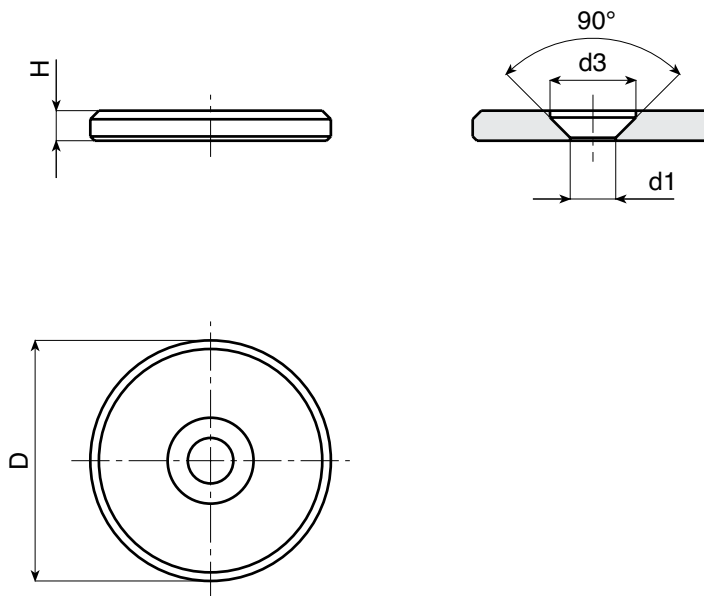
W184 CIN: Natural.

Hole:

Right through smooth hole with tolerance class H11, for standard threaded screw.

SPECIAL REQUESTS:

- None.



Version W184 on zinc-plated steel

Art.	d	D	H	d1 H11	g
W18416.VP4,5Z	16	3	8	4,5 x M4	4,5
W18420.VP4,5Z	20	3	8	4,5 x M4	7
W18422.VP5,5Z	22	3,5	10	5,5 x M5	10
W18425.VP5,5Z	25	3,5	10	5,5 x M5	13
W18428.VP5,5Z	28	3,5	10	5,5 x M5	16
W18432.VP6,5Z	32	4	12	6,5 x M6	24
W18436.VP6,5Z	36	4	12	6,5 x M6	31
W18440.VP6,5Z	40	5	12	6,5 x M6	48

Version W184 CIN on stainless steel

Art.	d	D	H	d1 H11	g
W18416.IP4,5CIN	16	3	8	4,5 x M4	4,5
W18420.IP4,5CIN	20	3	8	4,5 x M4	7
W18422.IP5,5CIN	22	3,5	10	5,5 x M5	10
W18425.IP5,5CIN	25	3,5	10	5,5 x M5	13
W18428.IP5,5CIN	28	3,5	10	5,5 x M5	16
W18432.IP6,5CIN	32	4	12	6,5 x M6	24
W18436.IP6,5CIN	36	4	12	6,5 x M6	31
W18440.IP6,5CIN	40	5	12	6,5 x M6	48

INDEX

**W
METAL SERIES**

ver. WUK.17-0915

**BOTECO
METAL LINE**

W - 12

Presumable presence in the stock in %

(☺) 90% (☹) 40% (⊖) 5%

www.boteco.it - © All right reserved - BOTECO®
Any unauthorized reproduction is strictly forbidden