

M511



KNURLED HANDLE WITH SELF-FIX HOLE

Material:

Blend of polypropylene and thermoplastic rubber TPV.

Surface:

Glossy.

Colour:

Black (RAL 9011).

Hole:

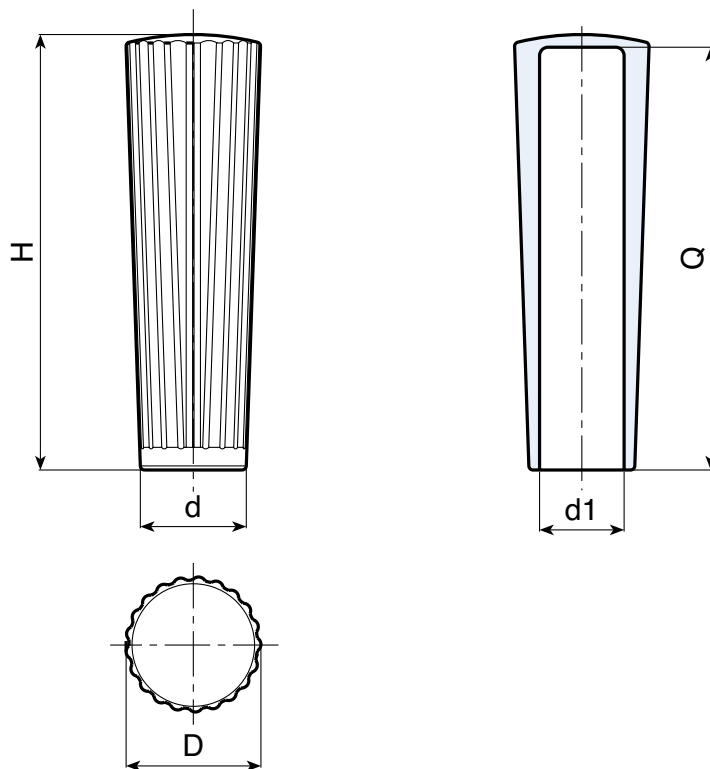
Female smooth hole, obtained by moulding the plastic.

Fixing:

Push fit

SPECIAL REQUEST:

- None.



	art.	H	D	d	d1	Q	g
●	M511105.EG2001	104	32	25	20	100	32