

M245



“EUROMODEL” REVOLVING HANDLE WITH RING NUT

Material:

Reinforced polyamide.
Oils and greases resistant.

Surface:

Satin.

Colour:

Black (RAL 9011).

Central Cap:

Grey polyamide (RAL 7035 cod. 13).

Alternative Cap Colour:

Orange (RAL 2004 cod. 02)
Blue (RAL 5015 cod. 07)
Yellow (RAL 1021 cod. 10)
Red (RAL 3000 cod. 16)
Green (RAL 6024 cod. 17)
Black (RAL 9011 cod. 01)

Revolving Insert:

M245:

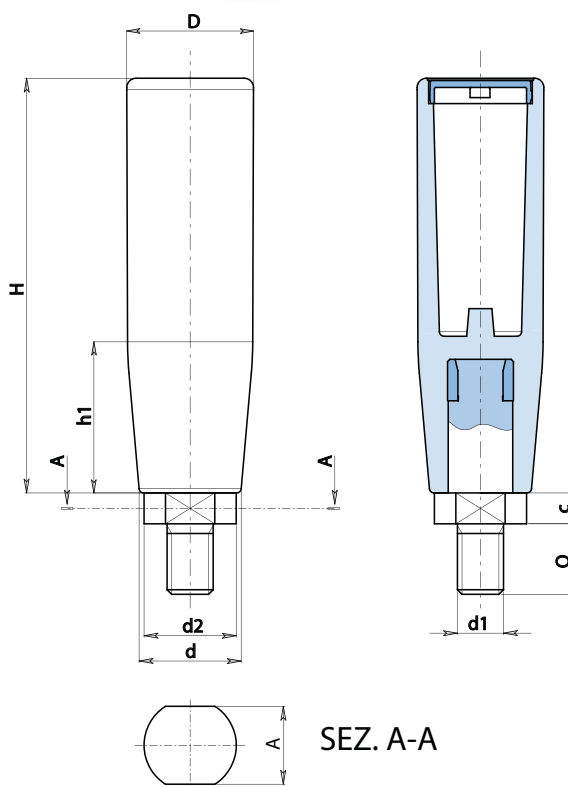
Revolving zinc-plated steel threaded stud, with ring nut with wrench seat and brass rotative ring. (thread tolerance 6g).

M245 CIN:

Revolving stainless steel threaded stud (AISI 303), with ring nut with wrench seat and brass rotative ring. (thread tolerance 6g).

SPECIAL REQUEST:

- It is possible to supply colours as shown in the table at pag. M-29, on request and for quantities.



INOX



Versione M245 - Zinc-plated steel version

art.	H	D	d	A	c	h1	d1 6g	Q	⚖ g
● M24590.TM10X150113	89,5	27	22	17	7	32	M10	15	89
● M24590.TM12X150113	89,5	27	22	17	7	32	M12	15	89

Versione M245 CIN - Stainless steel version

art.	H	D	d	A	c	h1	d1 6g	Q	⚖ g
● M24590.TM10X150113CIN	89,5	27	22	17	7	32	M10	15	89
● M24590.TM12X150113CIN	89,5	27	22	17	7	32	M12	15	89

INOX

Presumable presence in the stock in %
 90% ● 40% ● 5% ●