

# M229



## “EUROMODEL” REVOLVING HANDLE WITH HEXAGON SOCKET HEAD SCREW

**Material:**  
Reinforced polyamide.  
Oils and greases resistant.

**Surface:**  
Satin.

**Colour:**  
Black (RAL 9011).

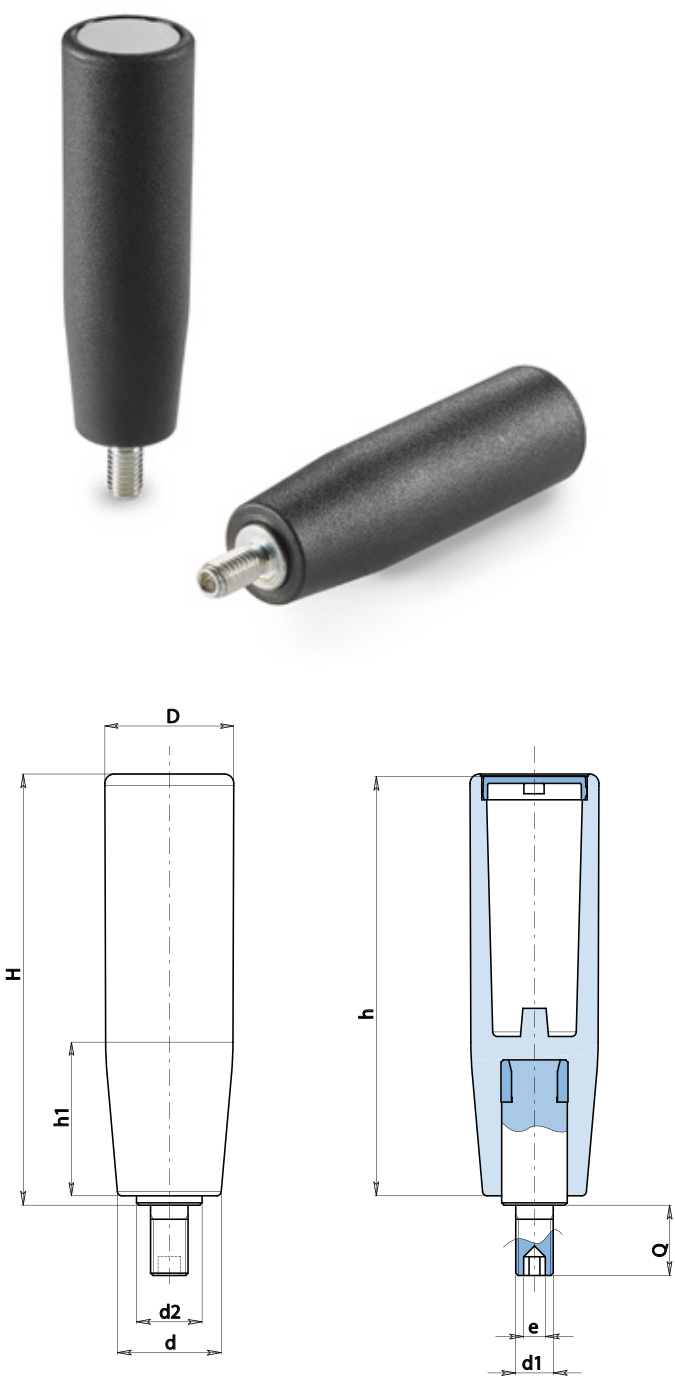
**Central Cap:**  
Grey polyamide (RAL 7035 cod. 13).

**Alternative Cap Colour:**  
Orange (RAL 2004 cod. 02)  
Blue (RAL 5015 cod. 07)  
Yellow (RAL 1021 cod. 10)  
Red (RAL 3000 cod. 16)  
Green (RAL 6024 cod. 17)  
Black (RAL 9011 cod. 01)

**Revolving Insert:**  
**M229:**  
Revolving zinc-plated steel threaded stud, with hexagon socket head and brass rotative ring. (thread tolerance 6g).  
**M229 CIN:**  
Revolving stainless steel threaded stud (AISI 303), with hexagon socket head and brass rotative ring. (thread tolerance 6g).

### SPECIAL REQUEST:

- It is possible to supply colours as shown in the table at pag. M-29, on request and for quantities.



## INOX



Version M229 - Zinc-plated steel version

| art.                 | H    | D  | d  | d2 | e   | h    | h1 | d1 6g | Q  | ⚖ g |
|----------------------|------|----|----|----|-----|------|----|-------|----|-----|
| ● M22990.TM10X150113 | 91,5 | 27 | 22 | 14 | ⊕ 5 | 89,5 | 32 | M10   | 15 | 78  |
| ● M22990.TM12X150113 | 91,5 | 27 | 22 | 14 | ⊕ 5 | 89,5 | 32 | M12   | 15 | 82  |

Version M229 CIN - Stainless steel version

| art.                    | H    | D  | d  | d2 | e   | h    | h1 | d1 6g | Q  | ⚖ g |
|-------------------------|------|----|----|----|-----|------|----|-------|----|-----|
| ● M22990.TM10X150113CIN | 91,5 | 27 | 22 | 14 | ⊕ 5 | 89,5 | 32 | M10   | 15 | 78  |
| ● M22990.TM12X150113CIN | 91,5 | 27 | 22 | 14 | ⊕ 5 | 89,5 | 32 | M12   | 15 | 82  |

## INOX