

M204 CIN UPDATE



INOX

REVOLVING AND FOLDING HANDLE WITH ROUND STAINLESS STEEL BASE

Material:

Reinforced polyamide.
Oils and greases resistant.

Surface:

Satin.

Colour:

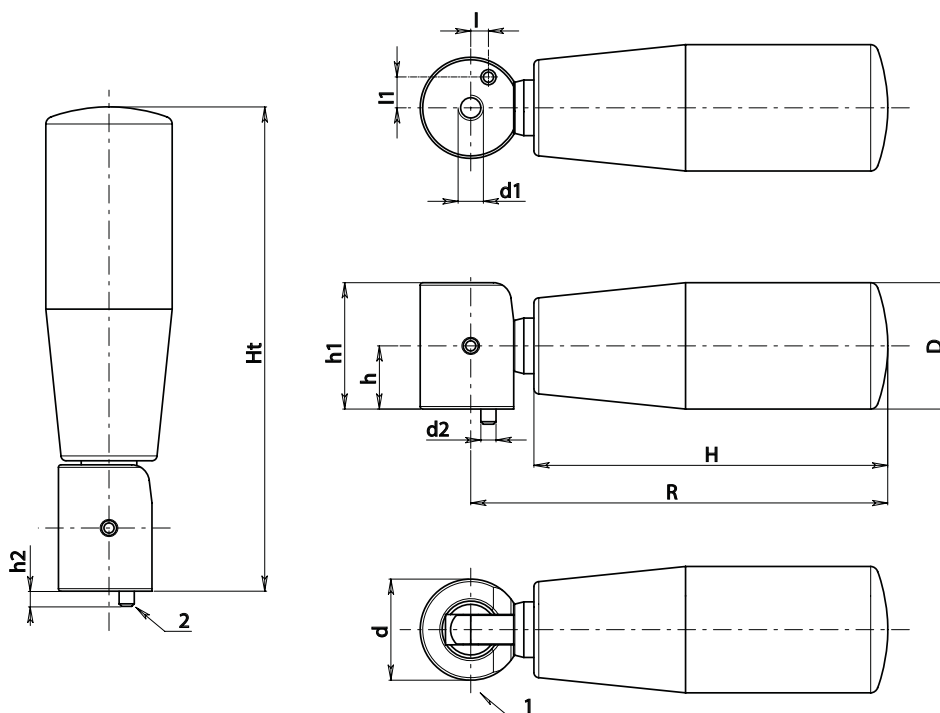
Black (RAL 9011).

Inserts:

- (1) Stainless steel (AISI 303) revolving and folding mechanism.
- (2) Stainless steel (AISI 304) reference pin DIN934.
- (3) Stainless steel spring.

SPECIAL REQUEST:

- It is possible to supply colours as shown in the table at pag. M-29, on request and for quantities.
- It is possible to supply the mechanism:
 - on black-oxide treatment (change CIN with ZB at the end of the code),
 - on zinc-plated steel treatment (change CIN with CVZ at the end of the code),
 - on AISI 304 (change CIN with CIH at the end of the code).



	art.	H	D	d	R	Ht	h	h1	h2	d1	d2	l	l1	Δ _g
★	M20470.TM0501CIN	70	25	19	82,5	96	12,5	25	3	M05	3	3,5	6,1	114
★	M20480.TM0501CIN	80	26	21	92,5	106	12,5	25	3	M05	3	3,5	6,1	145

Presumable presence in the stock in %

90% ● 40% ● 5% ●



M - 19

ver. MUK.21-0918

M