

M202



“EUROMODEL” REVOLVING HANDLE WITH SCREW AND BUSH ADAPTER

Material:

Reinforced polyamide. Oils and greases resistant.

Surface:

Satin.

Colour:

Black (RAL 9011).

Central Cap:

(1) Grey polyamide (RAL 7035 cod. 13).

Alternative Cap Colour:

- Orange (RAL 2004 cod. 02)
- Blue (RAL 5015 cod. 07)
- Yellow (RAL 1021 cod. 10)
- Red (RAL 3000 cod. 16)
- Green (RAL 6024 cod. 17)
- Black (RAL 9011 cod. 01)

Inserts:

- (2) Zinc-plated steel screw DIN 912/UNI 5931.
- (3) Zinc plated steeladapter bush with through-hole.

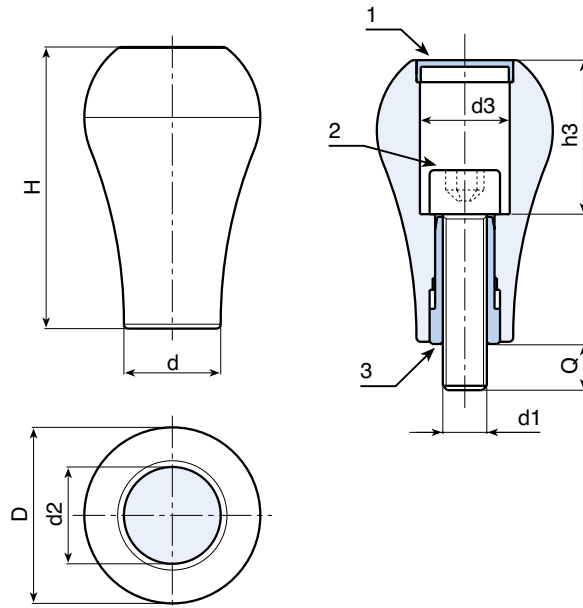


M

CAUTION: The handle is delivered unassembled and packaged separately.

SPECIAL REQUEST:

- It is possible to supply inserts in different lengths or by special design, on request and for quantities.
- It is possible to supply inserts in different materials, on request and for quantities.
- It is possible to supply colours as shown in the table at pag. M-29, on request and for quantities.



art.	H	D	d	d2	d3	h3	d1 6g	Q	g
M20264.TM08X1101Z1	64	40	22,5	22	20,5	34,5	M08	11	95
M20264.TM10X1101Z1	64	40	22,5	22	20,5	34,5	M10	11	95