

M151 NEW



REVOLVING HANDLE WITH FIXED SCREW AND HEXAGON SOCKET HEAD

Material:

Reinforced polyamide.
Resistant to oils and greases.

Surface finish:

Satin.

Colour:

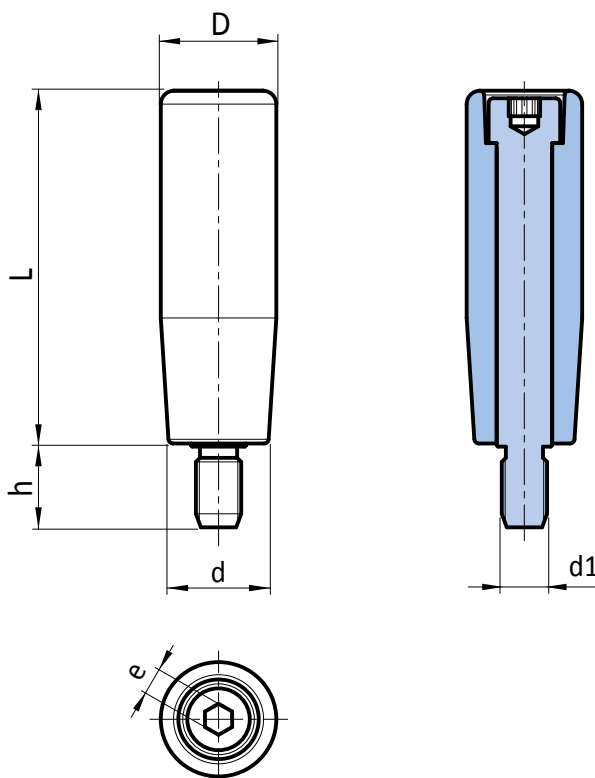
Black (RAL 9011).

Inserti:

Special turned nickel-plated screw, with partially threaded stud.
Hexagon socket head. (thread tolerance 6g).

SPECIAL REQUESTS:

- Upon request and for special quantities available in the colours indicated in the chart on page M-29.



	art.	L	D	d	h	e	d1 6g	g
●	M15150.TM08X1501H	49	20	15	15	5	M08	49
●	M15170.TM08X1701H	68	23	20	17	6	M08	79
●	M15170.TM10X1701H	68	23	20	17	6	M10	98
●	M15180.TM10X1801H	79	25	22	18	6	M10	119
●	M15190.TM10X1801H	90	28	22,5	18	8	M10	144