

M146



HANDLE WITH SELF-FIX HOLE

Material:

Reinforced polyamide.
Oils and greases resistant.

Surface:

Satin.

Colour:

Black (RAL 9011).

Hole:

Female smooth hole, with special deformable fixing ribs, obtained by moulding the plastic.

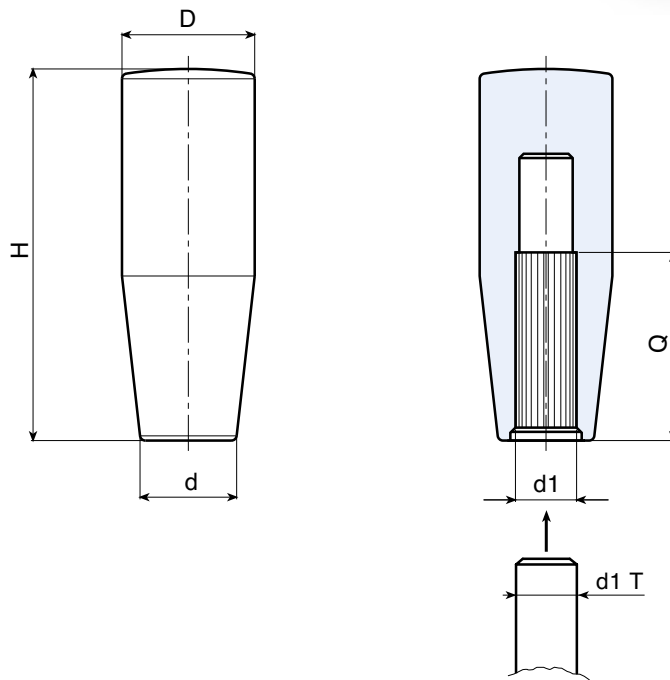
Fixing:

Push fit.



SPECIAL REQUEST:

- It is possible to supply colours as shown in the table at pag. M-29, on request and for quantities.



	art.	H	D	d	d1 T	d1	Q	g
●	M14650.TG0801	50	20	15	+0 -0,058	08	38	14
●	M14650.TG1001	50	20	15	+0 -0,058	10	38	12
●	M14660.TG0801	60	23	17	+0 -0,058	08	50	24
●	M14660.TG1001	60	23	17	+0 -0,058	10	50	20
●	M14660.TG1201	60	23	17	+0 -0,070	12	50	20
●	M14670.TG0801	70	25	19	+0 -0,058	08	50	32
●	M14670.TG1001	70	25	19	+0 -0,058	10	54	30
●	M14670.TG1201	70	25	19	+0 -0,070	12	54	28
●	M14680.TG1001	80	26	21	+0 -0,058	10	54	40
●	M14680.TG1201	80	26	21	+0 -0,070	12	54	38
●	M14680.TG1401	80	26	21	+0 -0,070	14	50	34
●	M14690.TG1201	91	27	22,5	+0 -0,070	12	54	46
●	M14690.TG1401	91	27	22,5	+0 -0,070	14	71	42