

M145



REVOLVING HANDLE WITH RING NUT

Material:

Reinforced polyamide.
Oils and greases resistant.

Surface:

Satin.

Colour:

Black (RAL 9011).

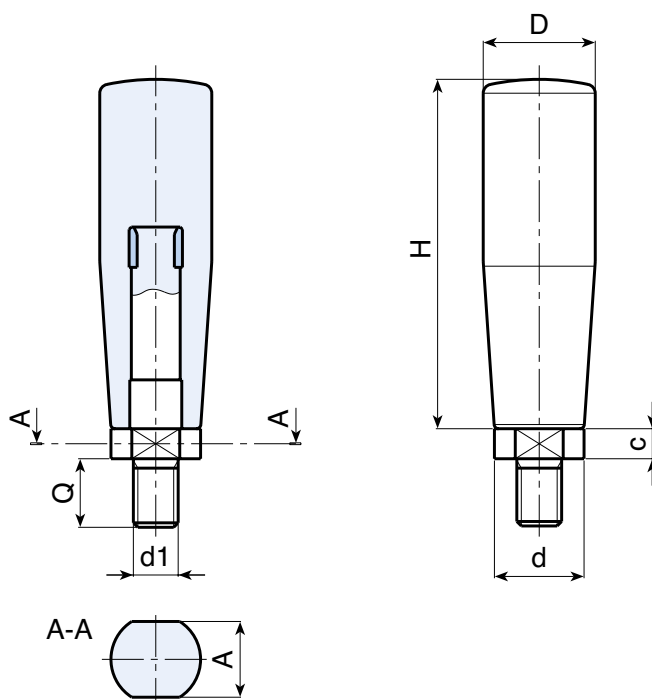
Revolving Insert:

Revolving zinc-plated steel threaded stud, with hexagon socket head and brass rotative ring. (thread tolerance 6g).



SPECIAL REQUEST:

- It is possible to supply colours as shown in the table at pag. M-29, on request and for quantities.



art.	H	D	d	c	A	d1 6g	Q	⚖ g
M14550.TM06X1201	50	20	12	5	10	M06	12	32
M14560.TM08X1501	60	23	14	7	13	M08	15	74
M14570.TM08X1501	70	25	14	7	13	M08	15	82
M14570.TM10X1501	70	25	14	7	13	M10	15	86
M14580.TM10X1501	80	26	18	6,5	16	M10	15	92
M14580.TM12X1501	80	26	18	6,5	16	M12	15	96
M14590.TM10X1501	90	27	18	6,5	16	M10	15	104
M14590.TM12X1501	90	27	18	6,5	16	M12	15	108