

M145 CIN



INOX

REVOLVING HANDLE WITH STAINLESS STEEL RING NUT

Material:

Reinforced polyamide.
Oils and greases resistant.

Surface:

Satin.

Colour:

Black (RAL 9011).

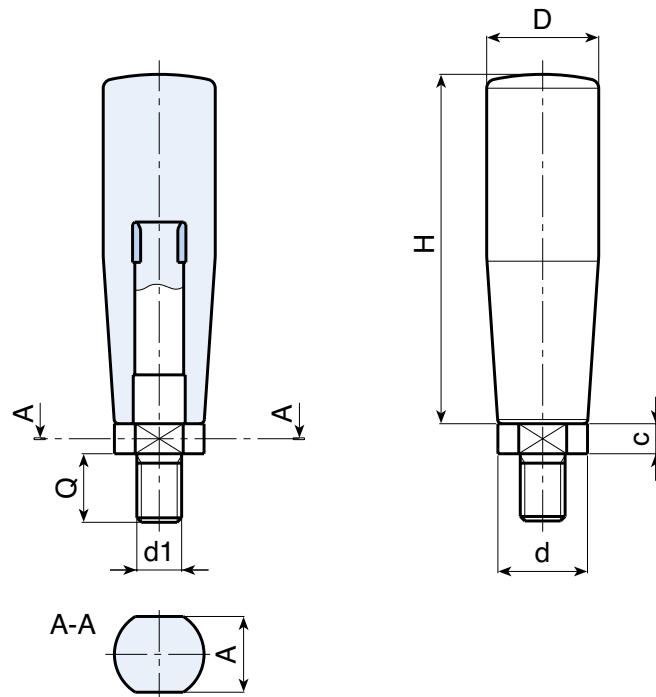
Revolving Insert:

Revolving stainless steel threaded stud (AISI 303),
with ring nut with wrench seat and brass rotative
ring (thread tolerance 6g).



SPECIAL REQUEST:

- It is possible to supply colours as shown in the table at pag. M-29, on request and for quantities.



	art.	H	D	d	c	A	d1 6g	Q	Δ g
●	M14550.TM06X1201CIN	50	20	12	5	10	M06	12	32
●	M14560.TM08X1501CIN	60	23	14	7	13	M08	15	74
●	M14570.TM08X1501CIN	70	25	14	7	13	M08	15	82
●	M14570.TM10X1501CIN	70	25	14	7	13	M10	15	86
●	M14580.TM10X1501CIN	80	26	18	6,5	16	M10	15	92
●	M14580.TM12X1501CIN	80	26	18	6,5	16	M12	15	96
●	M14590.TM10X1501CIN	90	27	18	6,5	16	M10	15	104
●	M14590.TM12X1501CIN	90	27	18	6,5	16	M12	15	108