

M144 CIN



INOX

REVOLVING HANDLE WITH STAINLESS STEEL SCREW AND NUT

Material:

Reinforced polyamide.
Oils and greases resistant.

Surface:

Satin.

Colour:

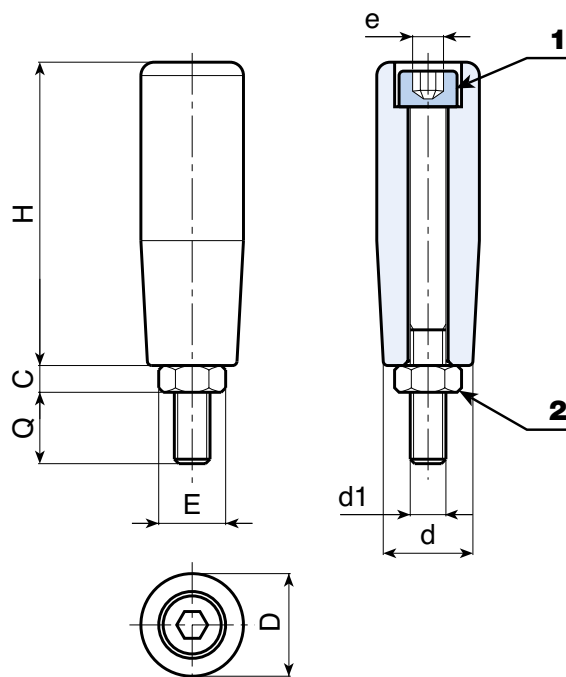
Black (RAL 9011).

Inserts:

- (1) Stainless steel screw (AISI 304)
TCCE DIN 912
- (2) Stainless Steel nut (AISI 304) DIN 934.

SPECIAL REQUEST:

- It is possible to supply colours as shown in the table at pag. M-29, on request and for quantities.



	art.	H	D	d	c	E	e	d1 6g	Q	g
●	M14450.TM06X1401CIN	49	20	17	5	⊙ 10	⊙ 05	M06	14	30
●	M14450.TM08X1401CIN	49	20	17	6,5	⊙ 10	⊙ 05	M08	14	32
●	M14460.TM08X1501CIN	59	21	19	6,5	⊙ 13	⊙ 06	M08	15	56
●	M14470.TM08X1601CIN	68	23	20	6,5	⊙ 17	⊙ 08	M08	16	68
●	M14470.TM10X1601CIN	68	23	20	8	⊙ 17	⊙ 08	M10	16	92
●	M14480.TM10X1501CIN	79	25	22	8	⊙ 17	⊙ 08	M10	15	110
●	M14490.TM12X1701CIN	89	28	24,5	7	⊙ 19	⊙ 10	M12	17	150