

M141



CYLINDRICAL HANDLE WITH SMOOTH RIGHT THROUGH HOLE

Material:

Reinforced polyamide.
Oils and greases resistant.

Surface:

Satin.

Colour:

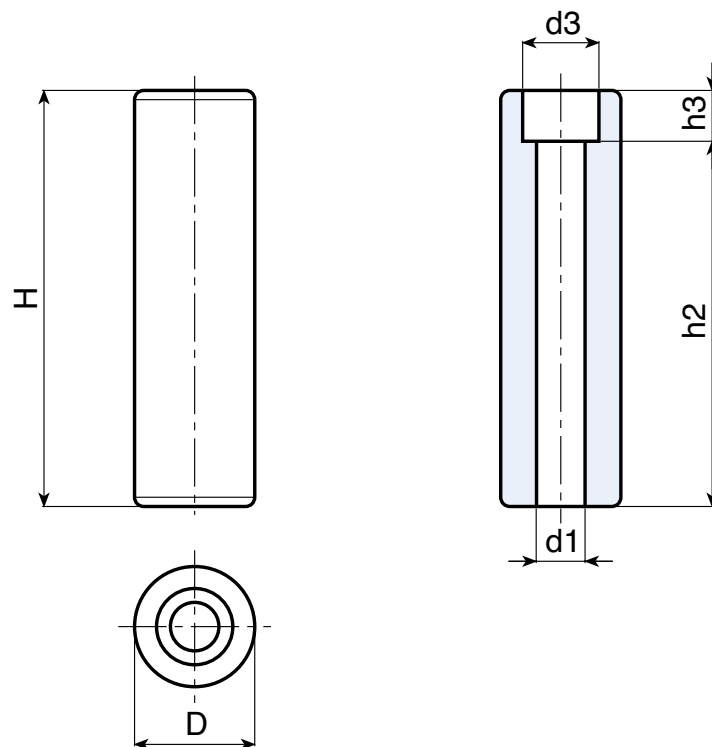
Black (RAL 9011).

Hole:

Smooth right through hole obtained by moulding the plastic (tolerance in not applicable).

SPECIAL REQUEST:

- It is possible to supply colours as shown in the table at pag. M-29, on request and for quantities.



	art.	H	D	h2	h3	d1	d3	Δ g
●	M14182.TG10,501	80	26	69	11	10,5	16,5	44
●	M14190.TG10,501	89	26	78	11	10,5	16,5	51