

M140



HANDLE WITH THREADED STUD

Material:

Reinforced polyamide. Oils and greases resistant.

Surface:

Satin.

Colour:

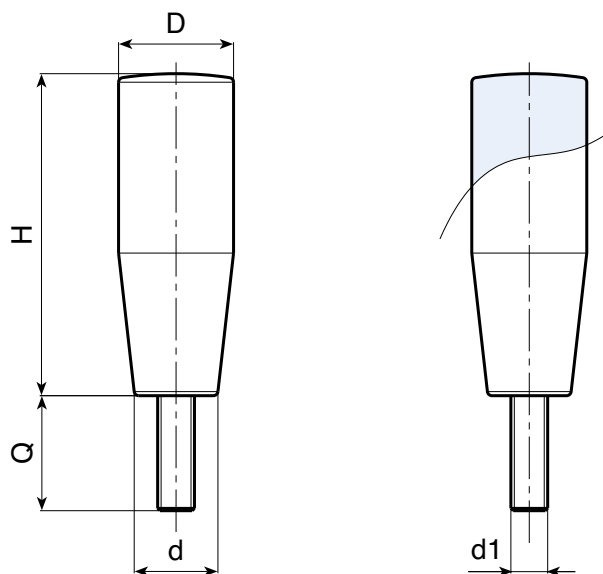
Black (RAL 9011).

Main Insert:

Zinc plated steel threaded stud (tolerance 6g).

SPECIAL REQUEST:

- It is possible to supply inserts in different lengths or by special design, on request and for quantities.
- It is possible to supply inserts in different materials, on request and for quantities.
- It is possible to supply colours as shown in the table at pag. M-29, on request and for quantities.



M

art.	H	D	d	LM	d1 6g	Q	g
M14027.TM04X2001	27	14	10	30	M04	20	10
M14027.TM05X2001	27	14	10	30	M05	20	15
M14027.TM06X2001	27	14	10	30	M06	20	20
M14040.TM05X2001	40	18	15,5	30	M05	20	20
M14040.TM06X..01	40	18	15	30	M06	10-16-25	18-19-21
M14050.TM06X..01	50	20	15	35	M06	10-20	24-27
M14050.TM08X..01	50	20	15	35	M08	10-15-20	34-32-30
M14060.TM06X2001	60	23	17,5	35	M06	20	40
M14060.TM08X..01	60	23	17,5	35	M08	10-20-30	34-42-50
M14060.TM10X1501	60	23	17,5	35	M10	15	40
M14070.TM08X..01	70	25	18	35	M08	10-20-30	51-54-57
M14080.TM08X..01	80	26	21	35	M08	10-20-25	74-77-78,5
M14080.TM10X..01	80	26	21	35	M10	10-20-30	84-86-88
M14090.TM08X..01	90	27	22	35	M08	10-20	74-77
M14090.TM10X..01	90	27	22	35	M10	10-20-30	95-100-105
M14090.TM12X..01	90	27	22	40	M12	20-30	104-112
M140110.TM12X2001	109	32	27	80	M12	20	162
M140110.TM14X..01	109	32	27	80	M14	A.R.	-

Enter the stud length choice in the two .. of the article code. Lengths by request with 100 pieces minimum quantity.

LM = Maximum mouldable length.

A.R.= By request with 100 pieces minimum.