

M139



HANDLE WITH SMOOTH RIGHT THROUGH HOLE

Material:

Reinforced polyamide.
Oils and greases resistant.

Surface:

Satin.

Colour:

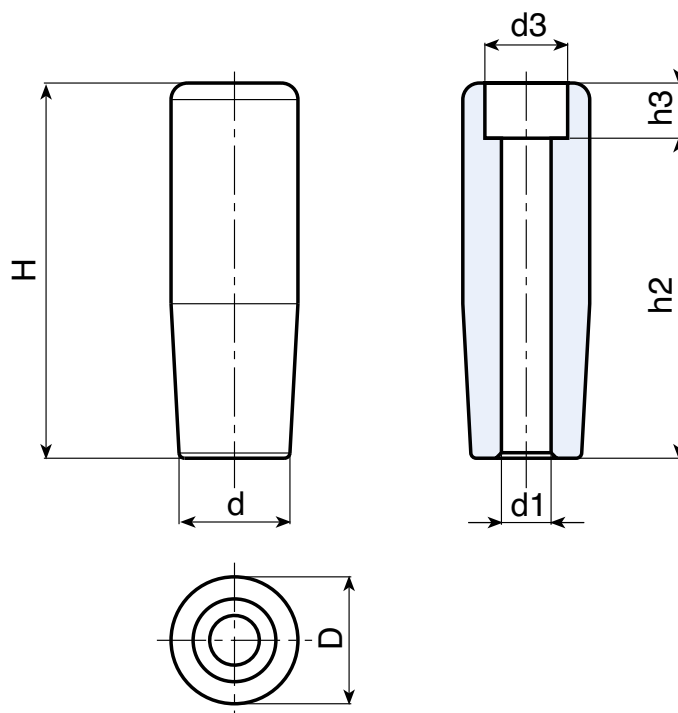
Black (RAL 9011).

Hole:

Smooth right through hole obtained by moulding the plastic (tolerance in not applicable).

SPECIAL REQUEST:

- It is possible to supply colours as shown in the table at pag. M-29, on request and for quantities.



	art.	H	D	d	h2	h3	d1	d3	g
●	M13950.TG06,501	49	20	15	42,5	6,5	6,5	11	13
●	M13950.TG08,501	49	20	15	42,5	6,5	8,5	11	10
●	M13960.TG06,501	59	21	19	51	8	6,5	12	23
●	M13960.TG08,501	59	21	19	49	10	8,5	14	20
●	M13970.TG08,501	68	23	20	57,5	10,5	8,5	14	28
●	M13970.TG10,501	68	23	20	56	12	10,5	17	25
●	M13980.TG10,501	79	25	22	67	12	10,5	17	38
●	M13990.TG08,501	90	28	22,5	80,5	9,5	8,5	14	46
●	M13990.TG12,501	90	28	22,5	76	14	12,5	19	42