

M137



HANDLE WITH LEVER ARM

Material:

Reinforced polyamide. Oils and greases resistant.

Surface:

Satin.

Colour:

Black (RAL 9011).

Insert:

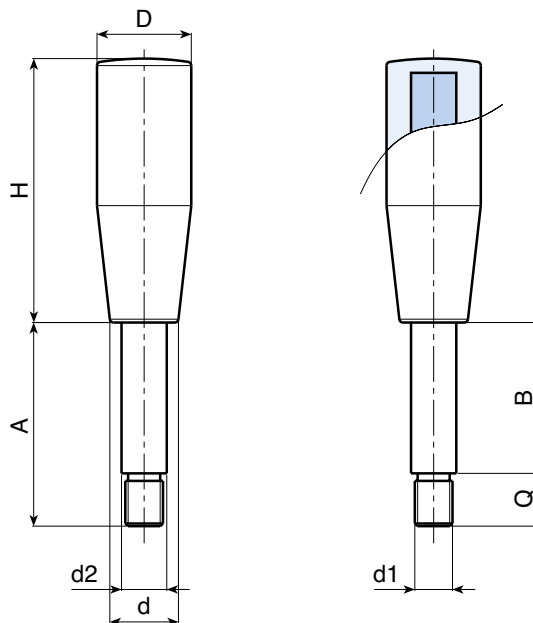
Zinc plated steel stud partly threaded.
(thread tolerance 6g).

Fixing:

Push fit after moulding (high temperature).
(Not removable).

SPECIAL REQUEST:

- It is possible to supply inserts with design dimension, on request and for quantities
- It is possible to supply inserts in different materials/treatments, on request and for quantities.
- It is possible to supply colours as shown in the table at pag. M-29, on request and for quantities.



	art.	H	D	d	B	d2	A	d1 6g	Q	⚖ g
●	M13750.TI10X2501	50	20	15	15	10	25	M08	10	34
●	M13750.TI10X3001	50	20	15	21	10	30	M08	09	36
●	M13750.TI10X4001	50	20	15	30	10	40	M08	10	40
●	M13750.TI10X5501Z1	50	20	15	45	10	55	M08	10	46
●	M13750.TI10X8001	50	20	15	70	10	80	M08	10	61
●	M13760.TI12X5801	60	23	18	44	12	58	M10	14	71
●	M13760.TI12X6501	60	23	18	50	12	65	M10	15	77
●	M13760.TI12X9501	60	23	18	80	12	95	M10	15	104
●	M13770.TI14X6501	70	25	19	50	14	65	M12	15	106
●	M13770.TI14X10501	70	25	19	90	14	105	M12	15	154
●	M13780.TI14X6501	80	26	20	50	14	65	M12	15	112
●	M13780.TI14X10501	80	26	20	90	14	105	M12	15	164
●	M13790.TI16X6701	90	27	22	50	16	67	M14	17	115
●	M13790.TI16X9701	90	27	22	80	16	97	M14	17	193
●	M13790.TI16X11701	90	27	22	100	16	117	M14	17	224