

M135



ROUNDED HANDLE WITH SELF-FIX HOLE

Material:

Reinforced polyamide.
Oils and greases resistant.

Surface:

Satin.

Colour:

Black (RAL 9011).

Hole:

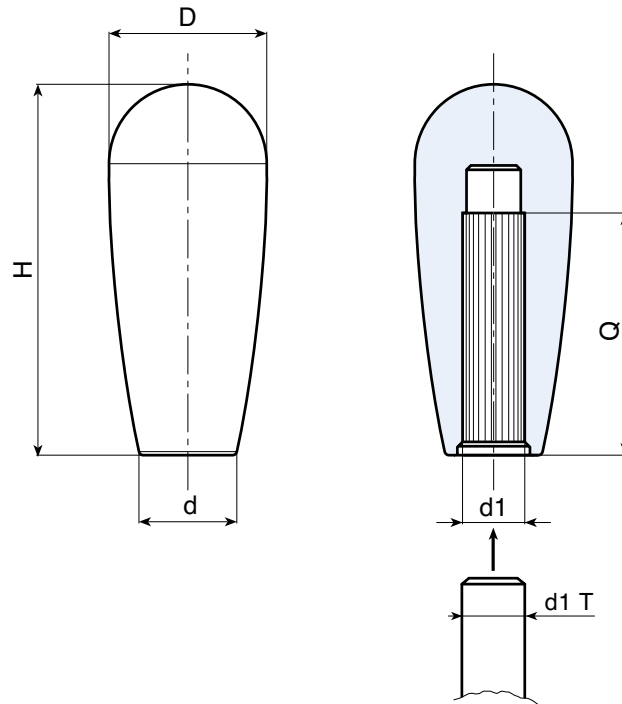
Female smooth hole, with special deformable fixing ribs, obtained by moulding the plastic.

Fixing:

Push fit.

SPECIAL REQUEST:

- It is possible to supply the handle with a threaded blind hole, on request and for quantities. (change TG with TM on the art. code).
- It is possible to supply the handle with d1 diameter by customer design, on request and for quantities.
- It is possible to supply colours as shown in the table at pag. M-29, on request and for quantities.
ATTENTION: Reduced colour range.



Version TM - With threaded bore

art.	H	D	d	d1	Q	g
M13583.TM1001	84	35	22	M10	58	64

Version TG - With self-fix bore

art.	H	D	d	d1 T	d1	Q	g
M13583.TG1001	84	35	22	+0 -0,058	10	50	64
M13583.TG1201	84	35	22	+0 -0,070	12	50	62
M13583.TG1401	84	35	22	+0 -0,070	14	50	59

Presumable presence in the stock in %
 90% ● 40% ● 5% ●